

Instruction manual
Инструкция по эксплуатации

Electric grill press BR2007
Электрический гриль-пресс BR2007



СОДЕРЖАНИЕ

EN.....	3
DE.....	11
RU.....	20
KZ.....	29

PRESS GRILL BR2007

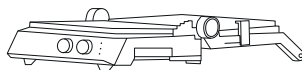
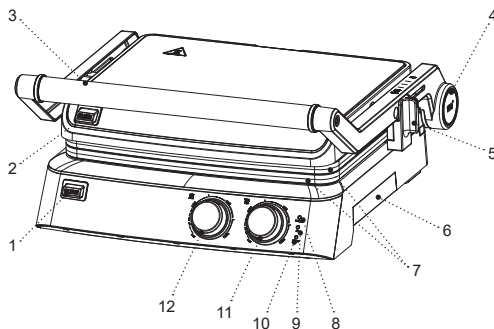
The grill is used for cooking meat, fish or vegetables. The unit can be used as a press grill or a flat frying surface.

DESCRIPTION

1. Lower frying plate lock «RELEASE»
2. Upper frying plate lock «RELEASE»
3. Handle
4. Grill opening button «180°»
5. Upper and lower grill parts lock/regulator of clearance between the frying plates
6. Tray
7. Upper and lower frying plates
8. Power indicator «POWER»
9. Upper frying plate heating indicator «UP»
10. Lower frying plate heating indicator «DOWN»
11. Lower frying plate temperature control knob «OFF-LOW-MID-MAX»
12. Upper frying plate temperature control knob «OFF-LOW-MID-MAX»

ATTENTION!


For additional protection it is reasonable to install a residual current device (RCD) with nominal operation current not exceeding 30 mA into the mains. To install RCD, contact a specialist.



Pic. 1

SAFETY MEASURES AND OPERATION RECOMMENDATIONS

Read the operation manual carefully before using the press grill; after reading, keep it for future reference.

- Use the press grill for its intended purpose only, as specified in this manual.
- Mishandling the grill can lead to its breakage and cause harm to the user or damage to the user's property, which is not covered by warranty.
- Make sure that the operating voltage of the unit indicated on the label corresponds to your home mains voltage.
- Connect the power plug to the socket with reliable grounding contact.
- Do not connect the unit to external timers or remote control mains sockets.
- To avoid fire, do not use adapters for plugging the press grill in.
- Install and use the press grill on a flat, dry, steady and heat-resistant surface with free access to the mains socket.
- Do not use the unit outdoors.
- It is recommended not to use the unit during lightning storms.
- Protect the grill from impacts, falling, vibrations and other mechanical stress.
- Never leave the unit connected to the mains unattended.
- Do not use the unit near heating appliances, heat sources or open flame.
- Do not use the grill in places where aerosols are used or sprayed, and in proximity to inflammable liquids.
- Do not use the grill in proximity to the kitchen sink, in bathrooms, near swimming pools or other containers filled with water.
- If the grill is dropped into water, unplug it immediately, and only then you can take the unit out of water.
- Do not let the power cord touch hot surfaces and sharp edges of furniture.
- The press grill body heats up strongly during operation, do not touch hot surfaces marked with «» to avoid burns.
- Do not move the press grill when it is hot; wait until it cools down completely.
- Use the unit in places with proper ventilation.
- Use only the removable parts supplied with the press grill.
- Do not switch the press grill on without products.
- Do not use the grill for cooking frozen food, defrost frozen food before cooking.
- Beware of steam output from the gaps between the operating surfaces, do not touch and do not place

open parts of your body near the gaps between the frying plates.

- Take the products out of the press grill right after cooking; keeping products in the operating grill for a long time can cause their ignition.
- Never use metal objects to take the cooked food out, as they can damage the non-stick coating of the frying plates; use the kitchen tools intended for non-stick surfaces.
- Unplug the unit after usage or before cleaning. When unplugging the grill, hold the power plug and carefully remove it from the mains socket, do not pull the power cord, as this can lead to its damage and cause a short circuit.
- Do not touch the unit body, the power cord and the power plug with wet hands.
- For child safety reasons do not leave polyethylene bags used as packaging unattended.

ATTENTION!

Do not allow children to play with polyethylene bags or packaging film. **Danger of suffocation!**

- The unit is not intended for usage by children.
- Do not leave children unattended to prevent using the unit as a toy.
- Do not allow children to touch the operating surface, the unit body, the power cord or the power plug during operation of the unit.
- Be especially careful if children or disabled persons are near the operating unit.

- During the unit operation and breaks between operation cycles, place the unit out of reach of children.
- The unit is not intended for usage by physically or mentally disabled persons (including children) or by persons lacking experience or knowledge if they are not under supervision of a person who is responsible for their safety or if they are not instructed by this person on the usage of the unit.
- From time to time check the power cord integrity.
- If the power cord is damaged, it should be replaced by the manufacturer, a maintenance service or similar qualified personnel to avoid danger.
- Do not repair the unit by yourself. Do not disassemble the unit by yourself, if any malfunction is detected, and after the unit was dropped, unplug it and apply to the authorized service center.
- To avoid damages, transport the unit in the original package.
- Keep the unit in a dry cool place out of reach of children and disabled persons.

THE UNIT IS INTENDED FOR HOUSEHOLD USE ONLY, DO NOT USE THE UNIT FOR COMMERCIAL OR LABORATORY PURPOSES

BEFORE THE FIRST USE

After unit transportation or storage at negative temperature, unpack it and wait for 3 hours before using.

- Unpack the unit and remove all the packaging materials.
- Keep the original package.
- Read the safety measures and operating recommendations.
- Check the delivery set.
- Examine the unit for damages, in case of damage do not plug it into the mains.
- Make sure that specified specifications of power supply voltage of the unit correspond to the specifications of your mains.
- Clean the grill body surface with a slightly damp cloth and then wipe it dry.
- Move the lock (5) to the position «Open», take the handle (3) and open the grill.
- Remove the upper frying plate by pressing on the lock (2) «RELEASE».
- Remove the lower frying plate by pressing on the lock (1) «RELEASE».
- Remove the tray (6).
- Wash the frying plates and the tray (6) with warm water and neutral detergent, rinse them and wipe dry.
- Install the surfaces (7) back to their places, to do this, match the ledges on the unit body with the grooves in the lower part of the plates (7) and then lift the upper plate and move down the lower plate until the locks (1, 2) «RELEASE» clicking. Make sure that the plates (7) are fixed.
- Place the grill keeping at least a 20 cm gap between the grill body and the walls and 60 cm of space above the grill.
- Use the grill on a flat steady surface, away from sources of moisture,
- heat and open flame with free access to the mains socket.
- Do not place and do not use the grill near highly inflammable objects
- or liquids and objects subject to thermal deformation.
- Use the unit in places with proper ventilation.
- Make sure that the tray (6) is installed to its place.
- Before using the grill open it and oil the frying plates (7) slightly.
- Insert the power cord plug into the mains socket, the indicator (8) «POWER» will light up.
- Turn the operation mode switch (11, 12) knob and set it to the position «MAX», the light indicators (9, 10) will light up.
- **Notes:**
 - when the grill is switched on, the light indicator (8) will be glowing constantly;
 - the light indicator (9) «UP» will go out, when the

- upper frying plate reaches the preset temperature
- the light indicator (10) «DOWN» will go out, when the lower frying plate reaches the preset temperature
- the indicator (9, 10) will periodically light up and go out, indicating that the preset temperature of the frying plates (7) is maintained.
- After approximately 6-8 minutes switch the grill off by setting the operation mode switch (11, 12) knob to the position «OFF», unplug the grill and wait until it cools down completely. Take the handle (3), open the grill and remove the remaining vegetable oil from the frying plates (7) with a paper towel.
- The grill is ready to use.
- **Notes:**
 - when using the unit for the first time, a foreign smell or some smoke from the heating elements can appear — this is normal and it is not covered by warranty.

FOOD COOKING WITH THE GRILL

• **ATTENTION!**

- The press grill body heats up strongly during operation, do not touch hot surfaces marked with «▲» to avoid burns.
- Beware of steam output from the gaps between the operating surfaces (7), do not touch and do not place open parts of your body near the gaps between the frying plates (7).
- Do not use the grill for cooking frozen food.

- Do not cook meat with large bones.
- Frying time depends on the products used.
- Before using the grill make sure that the tray (6) is installed to its place.
- Do not open the grill after switching it on, the frying plates (7) heat up faster and more even in the closed position.
- Before eating make sure that the food is cooked through.
- Take the products out of the press grill right after cooking; keeping products in the operating grill for a long time can cause their ignition.
- Never use metal objects to take the cooked food out, as they can damage the non-stick coating of the frying plates (7); use the kitchen tools intended for non-stick surfaces.

- Prepare the necessary products.
- Insert the power cord plug into the mains socket, the indicator (8) «POWER» will light up.
- Turn the upper frying plate temperature control knob (12) and set the necessary operating mode, the indicator (9) «UP» will light up; the indicator (9) «UP» will go out when the temperature of the upper frying plate reaches the preset value:
 - «OFF» — grill is off
 - «LOW» — low heating temperature of the upper frying plate
 - «MED» — medium heating temperature of the upper frying plate

- «MAX» — heating of the upper frying plate up to the maximum temperature 230 °C.
- Turn the lower frying plate temperature control knob (11) and set the necessary operating mode, the indicator (10) «DOWN» will light up; the indicator (10) «DOWN» will go out when the temperature of the upper frying plate reaches the preset value:
 - «OFF» — grill is off
 - «LOW» — low heating temperature of the upper frying plate
 - «MED» — medium heating temperature of the upper frying plate
 - «MAX» — heating of the upper frying plate up to the maximum temperature 230 °C.

Note: when you use the unit as a griddle plate, after 3-5 cycles of heating/cooling the temperature of the frying plates stabilizes and is maintained at the level from 220 °C to 230 °C.

- Wait until the frying plates (7) heat up, the indicator (9, 10) will go out.
- Take the handle (3) and open the grill.
- Carefully put the products on the lower frying plate, avoid burns by possible splashes of juice or fat dripping from the products.
- Take the handle (3) and lower the upper frying plate on the products.
- **Note:** — depending on the thickness of the cooked products you can adjust the clearance between the

frying plates (7). To do this, move the lock (5) handle to the required position «Low–High».

- After you finish cooking, take the handle (3) and lift the upper frying plate.
- Put the prepared products into an appropriate dish; use wooden or heat-resistant plastic kitchen tools to remove the products.
- To switch the grill off turn the operation mode switch (11, 12) and set it to the position «OFF», the light indicators (9, 10) will go out. Then unplug the unit.

Using the grill as a cooking unit (pic. 1)

- You can use the grill as a flat frying surface.
- Before connecting the power plug to the mains socket open the grill. To do this, take the handle (3) and lift the upper part of the grill.
- Press the button (4) «180°» and open the grill completely.
- Insert the power cord plug into the mains socket, the indicator (8) «POWER» will light up.
- You can set the necessary heating temperature of the frying plates (7) by turning the knobs (11, 12), the indicators (9) «UP» and (10) «DOWN» will light up.
- Wait until the frying plates (7) heat up, the indicator (9, 10) will go out.
- Carefully put the products on the frying plates, avoid burns by possible splashes of juice or fat dripping from the products.

- Put the prepared products into an appropriate dish; use wooden or heat-resistant plastic kitchen tools to remove the products.
- To switch the grill off set the operation mode switch (11, 12) knob to the position «0», the light indicators (9, 10) will go out. Then unplug the unit.
- Wait until the grill cools down completely, then lift the upper part of the grill, press the button (4) «180°» and fold the upper and the lower (1) parts together.
- To fix the lower and the upper parts of the grill set the lock (5) handle to the position «Lock».
- Install the surfaces (7) back to their places, to do this, match the ledges on the unit body with the grooves in the lower part of the plates (7) and then lift the upper plate and move down the lower plate until the locks (1, 2) «RELEASE» clicking. Make sure that the plates (7) are fixed.
- Do not use metal brushes, abrasives or solvents to clean the frying plates (7) and the grill body.
- Do not immerse the grill, the power cord and the power plug into water or any other liquids.

CLEANING AND CARE

- Clean the frying plates (7) of the grill after every use.
- Switch the grill off by setting the operation mode switch (11, 12) knob to the position «OFF», unplug it and wait until the press grill cools down completely.
- Clean the grill body surface with a slightly damp cloth and then wipe it dry.
- Take the handle (3) and open the grill.
- Remove the upper frying plate by pressing on the lock (2) «RELEASE» on the side.
- Remove the lower frying plate by pressing on the lock (1) «RELEASE».
- Remove the tray (6) and pour the liquid out of it.
- Wash the frying plates (7) and the tray (6) with warm water and neutral detergent, rinse them and wipe dry.

STORAGE

- Before taking the grill away for storage, clean the frying plates (7) and the grill body.
- Press together the lower and the upper parts of the grill and set the lock (5) handle to the position «Lock».
- You can store the folded press grill in vertical position.
- Keep the unit in a dry cool place out of reach of children and disabled persons.

DELIVERY SET

1. Press grill — 1 pc.
2. Frying plates — 2 pcs.
3. Tray — 1 pcs.
4. Manual — 1 pc.

TECHNICAL SPECIFICATIONS

- Power supply: 220-240 V, ~ 50 Hz
- Rated input power: 2000 W

RECYCLING



To prevent possible damage to the environment or harm to the health of people by uncontrolled waste disposal, after service life expiration of the unit or the batteries (if included), do not discard them with usual household waste, deliver

the unit and the batteries to specialized centers for further recycling.

The waste generated during the disposal of the unit is subject to mandatory collection and consequent disposal in the prescribed manner.

For further information about recycling of this product apply to a local municipal administration, a disposal service or to the shop where you purchased this product.

The manufacturer reserves the right to change the appearance, design and specifications not affecting general operation principles of the unit, without prior notice.

The unit operating life is 3 years

The manufacturing date is specified in the serial number.

In case of any malfunctions promptly apply to the authorized service center.

GRILL BR2007

Der Grill wird für das Garen von Fleisch-, Fisch- oder Gemüselebensmittel verwendet. Das Gerät kann als Kontaktgrill oder offene Bratflächen verwendet werden.

BESCHREIBUNG

1. Unterarbeitsflächenverriegelung «RELEASE»
2. Oberarbeitsflächenverriegelung «RELEASE»
3. Griff
4. Grillaufmachtaaste «180°»
5. Grillüber- und Unterteilverriegelung/Arbeitsflächenspaltregler
6. Schale
7. Ober- und Unterarbeitsfläche
8. Betriebskontrolleuchte «POWER»
9. Heizanzeige der Oberarbeitsfläche «UP»
10. Heizanzeige der Unterarbeitsfläche «DOWN»
11. Temperaturregler der Unterarbeitsfläche «OFF-LOW-MID-MAX»
12. Temperaturregler der Oberarbeitsfläche «OFF-LOW-MID-MAX»

ACHTUNG!

Als zusätzlicher Schutz ist es zweckmäßig, den FI-Schalter mit Nennstrom bis 30 mA im Stromversorgungskreis aufzustellen; wenden Sie sich dafür an einen Spezialisten.

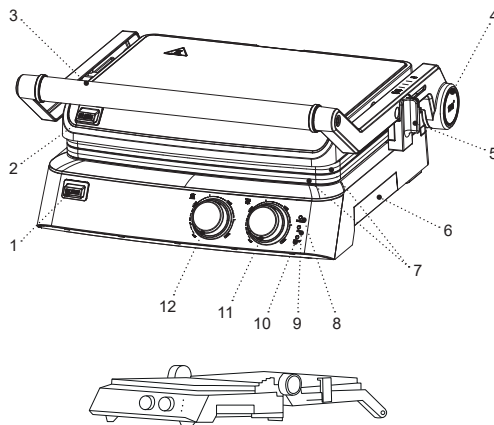



Abb. 1

SICHERHEITSHINWEISE UND GEBRAUCHSANLEITUNG

Bevor Sie den Grill benutzen, lesen Sie die Bedienungsanleitung aufmerksam durch und bewahren Sie sie zum späteren Gebrauch auf.

- Benutzen Sie den Grill nur bestimmungsmäßig und laut dieser Bedienungsanleitung.
- Der Missbrauch des Geräts kann zu seiner Störung führen, den Benutzer oder sein Eigentum beschädigen und ist kein Garantiefall.
- Vergewissern Sie sich, dass die auf dem Bezeichnungszettel angegebene Betriebsspannung und die Netzspannung übereinstimmen.
- Stecken Sie den Netzstecker in eine Steckdose mit einem zuverlässigen Erdungskontakt.
- Schließen Sie das Gerät an keine externen Schaltuhren oder elektrischen Steckdosen mit Fernbedienung an.
- Verwenden Sie keine Adapterstecker beim Anschließen des Grills ans Stromnetz, um das Brandrisiko zu vermeiden.
- Stellen und benutzen Sie den Grill auf einer ebenen, trockenen, standfesten und hitzebeständigen Oberfläche mit immer freiem Zugang zur Steckdose auf.
- Es ist nicht gestattet, das Gerät draußen zu benutzen.
- Es ist nicht empfohlen, das Gerät bei Gewitter zu benutzen.
- Schützen Sie den Grill vor Stößen, Stürzen, Vibrationen und anderen mechanischen Einwirkungen.
- Lassen Sie das ans Stromnetz angeschlossene Gerät nie unbeaufsichtigt.
- Benutzen Sie das Gerät in direkter Nähe von Heizgeräten, Wärmequellen oder offenem Feuer nicht.
- Es ist verboten, den Grill an den Orten, wo Sprays verwendet werden, sowie in der Nähe von leichtentzündbaren Flüssigkeiten, zu benutzen.
- Benutzen Sie den Grill in der Nähe von Spülbecken, in Badezimmern und neben den Wasserbecken oder anderen mit Wasser gefüllten Behältern nicht.
- Falls der Grill ins Wasser gefallen ist, ziehen Sie den Netzstecker aus der Steckdose sofort heraus, erst danach holen Sie das Gerät aus dem Wasser heraus.
- Achten Sie darauf, dass das Netzkabel heiße Oberflächen und scharfe Möbelkanten nicht berührt.
- Während des Betriebs wird das Grillgehäuse stark erhitzt, berühren Sie die mit «» gekennzeichneten heißen Oberflächen nicht, um Verbrennungen zu vermeiden.
- Bewegen Sie den heißen Grill nicht, warten Sie ab, bis er vollständig abkühlt.
- Benutzen Sie das Gerät in gut belüfteten Räumen.

- Benutzen Sie nur die mitgelieferten abnehmbaren Grillteile.
- Schalten Sie den Grill ohne Lebensmittel nicht ein.
- Grillen Sie die gefrorene Lebensmittel nicht, tauen Sie sie vor dem Grillen auf.
- Hüten Sie sich vor dem Dampfaustritt aus dem Zwischenraum der Arbeitsflächen, halten Sie Ihre Hände und andere offene Körperteile vom Zwischenraum der Arbeitsflächen fern.
- Nach der Zubereitung nehmen Sie die Lebensmittel aus dem Grill sofort heraus, ihr längeres Bleiben im eingeschalteten Grill kann zu ihrer Entzündung führen.
- Es ist verboten, die zubereiteten Lebensmittel mit Metallgegenständen, die die Antihafbeschichtung der Arbeitsflächen beschädigen können, herauszunehmen; verwenden Sie das Küchenzubehör für die Antihafoberflächen.
- Trennen Sie das Gerät nach dem Gebrauch oder vor der Reinigung vom Stromnetz unbedingt ab. Wenn Sie den Grill vom Stromnetz abtrennen, halten Sie den Netzstecker fest und ziehen Sie ihn aus der Steckdose vorsichtig heraus; ziehen Sie das Netzkabel nicht, da es zu seiner Beschädigung und einem Kurzschluss führen kann.
- Berühren Sie das Gerätegehäuse, das Netzkabel und den Netzstecker mit nassen Händen nicht.
- Aus Kindersicherheitsgründen lassen Sie Plastiktüten, die als Verpackung verwendet werden, nie ohne Aufsicht.

ACHTUNG!

Lassen Sie Kinder mit Plastiktüten oder Verpackungsfolien nicht spielen. **Erstickungsgefahr!**

- Das Gerät ist nicht für Kinder bestimmt.
- Beaufsichtigen Sie Kinder, damit sie das Gerät als Spielzeug nicht benutzen.
- Lassen Sie Kinder die Arbeitsfläche, das Gerätegehäuse, das Netzkabel oder den Netzstecker während des Gerätebetriebs nicht berühren.
- Besondere Vorsichtsmaßnahmen sind in den Fällen angesagt, wenn sich Kinder oder behinderte Personen während des Gerätebetriebs in der Nähe aufhalten.
- Während des Betriebs und der Pausen zwischen den Betriebszyklen stellen Sie das Gerät an einen für Kinder unzugänglichen Ort auf.
- Dieses Gerät ist für Personen (darunter Kinder) mit Körper-, Nerven- und Geistesstörungen oder Personen ohne ausreichende Erfahrung und Kenntnisse nicht geeignet, wenn sie sich unter Aufsicht der Person, die für ihre Sicherheit verantwortlich ist, nicht befinden oder entsprechende Anweisungen über die Nutzung des Geräts nicht bekommen haben.
- Prüfen Sie die Unversehrtheit des Netzkabels von Zeit zu Zeit.

- Wenn das Netzkabel beschädigt ist, soll es vom Hersteller, vom Kundendienst oder von ähnlich qualifiziertem Personal ersetzt werden, um Gefahren zu vermeiden.
- Es ist nicht gestattet, das Gerät selbständig zu reparieren. Es ist nicht gestattet, das Gerät selbständig auseinanderzunehmen; bei der Feststellung jeglicher Beschädigungen, sowie im Sturzfall, trennen Sie es vom Stromnetz ab und wenden Sie sich an einen Kundendienst.
- Um Beschädigungen zu vermeiden, transportieren Sie das Gerät nur in der Fabrikverpackung.
- Bewahren Sie das Gerät an einem trockenen, kühlen und für Kinder und behinderte Personen unzugänglichen Ort auf.

DAS GERÄT IST NUR FÜR DEN GEBRAUCH IM HAUSHALT GEEIGNET, ES IST VERBOTEN, DAS GERÄT ZU HANDELS- ODER LABORZWECKEN ZU BENUTZEN.

VOR DER ERSTEN NUTZUNG


Packen Sie das Gerät aus und warten Sie 3 Stunden, bevor Sie es bei einer negativen Temperatur transportieren oder bewahren.

- Packen Sie das Gerät aus und entfernen Sie alle Verpackungsmaterialien.
- Bewahren Sie die Originalverpackung auf.
- Lesen Sie die Sicherheitsmaßnahmen und Bedienungsempfehlungen durch.

- Prüfen Sie die Komplettheit.
- Prüfen Sie das Gerät auf Beschädigungen; wenn es beschädigt ist, schließen Sie es ans Stromnetz nicht an.
- Vergewissern Sie sich, dass die angegebenen Parameter der Geräteversorgungsspannung und die Stromnetzparameter übereinstimmen. Beim 60-Hz-Stromnetz-Gerätebetrieb sind keine zusätzlichen Maßnahmen erforderlich.
- Wischen Sie das Grillgehäuse mit einem leicht angefeuchteten Tuch, danach trocknen Sie es ab.
- Schieben Sie den Riegel (5) in die Position «Open» um, greifen Sie den Griff (3) und machen Sie den Grill auf.
- Nehmen Sie die obere Arbeitsfläche ab, indem Sie die Verriegelung (2) «RELEASE» von der Seite drücken.
- Nehmen Sie die untere Arbeitsfläche ab, indem Sie die Verriegelung (1) «RELEASE» drücken.
- Nehmen Sie die Schale (6) heraus.
- Waschen Sie die Arbeitsflächen und die Schale (6) mit Warmwasser und einem neutralen Reinigungsmittel, spülen und dann trocknen Sie sie ab.
- Stellen Sie die Oberflächen auf (7) zurück auf, lassen Sie dazu die Vorsprünge am Gehäuse und die Aussparungen im Unterteil der Flächen (7) zusammenfallen, und heben Sie dann die obere Fläche an und lassen Sie die untere Fläche herunter,

- bis die Halterungen (1, 2) «RELEASE» einrasten; vergewissern Sie sich, dass die Flächen (7) befestigt sind.
- Stellen Sie den Grill so auf, dass die Wänden und das Grillgehäuse relativ zueinander mindestens 20 cm entfernt sind und der Freiraum über dem Grill mindestens 60 cm beträgt.
 - Benutzen Sie den Grill auf einer ebenen, standfesten Oberfläche fern von Feuchtigkeitsquellen,
 - Wärme und offenem Feuer und mit immer freiem Zugang zur Steckdose.
 - Installieren oder verwenden Sie den Grill in der Nähe von leichtentzündbaren Materialien
 - oder Flüssigkeiten, sowie den Gegenständen, die durch Wärme verzogen werden können, nicht.
 - Benutzen Sie das Gerät in gut belüfteten Räumen.
 - Vergewissern Sie sich, dass die Schale (6) zurück aufgestellt ist.
 - Vor dem Grillbetrieb machen Sie den Grill auf und ölen Sie die Arbeitsflächen (7) mit Pflanzenöl leicht ein.
 - Stecken Sie den Netzstecker in die Steckdose ein, dabei leuchtet die Kontrollleuchte (8) «POWER».
 - Drehen Sie den Betriebsschalter(11, 12) und stellen Sie ihn in die Position «MAX», dabei leuchten die Kontrollleuchten (9, 10).
 - **Anmerkungen:**
 - Wenn der Grill eingeschaltet wird, leuchtet die Kontrollleuchte (8) konstant.
 - die Lichtanzeige (9) «UP» erlischt, wenn die Oberarbeitsfläche die eingestellte Temperatur erreicht
 - die Lichtanzeige (10) «DOWN» erlischt, wenn die Unterarbeitsfläche die eingestellte Temperatur erreicht
 - die Anzeige (9, 10) leuchtet und erlischt periodisch, um anzuzeigen, dass die eingestellte Temperatur der Arbeitsflächen (7) gehalten wird.
 - Schalten Sie den Grill nach ca. 6-8 Minuten aus, indem Sie den Betriebsschalterknopf (11, 12) in die Position «OFF» stellen, ziehen Sie den Netzstecker aus der Steckdose heraus, warten Sie, bis der Grill vollständig abgekühlt ist, greifen Sie am Griff (3), machen Sie den Grill auf und entfernen Sie das restliche Pflanzenöl von den Arbeitsflächen (7) mit einer Papierserviette.
 - Der Grill ist betriebsbereit.
 - **Anmerkungen:**
 - bei erster Nutzung können ein Fremdgeruch und eine kleine Menge Rauch von den Heizelementen entstehen, es ist normal und kein Garantiefall.

GRILLEN

- **ACHTUNG!**
 - Während des Betriebs wird das Grillgehäuse stark erhitzt, berühren Sie die mit «» gekennzeichneten heißen Oberflächen nicht, um Verbrennungen zu vermeiden.

- Hüten Sie sich vor dem Dampfaustritt aus dem Arbeitsflächenzwischenraum (7), halten Sie Ihre Hände und andere offene Körperteile vom Arbeitsflächenzwischenraum fern (7).
- Benutzen Sie den Grill zum Garen von gefrorenen Lebensmitteln nicht.
- Grillen Sie keine Fleischstücke an großen Knochen.
- Die Grillenzeit hängt von den benutzten Lebensmitteln ab.
- Vergewissern Sie sich vor dem Grillen, dass die Schale (6) zurück aufgestellt ist.
- Machen Sie den Grill nach dem Einschalten nicht auf, im geschlossenen Zustand erwärmen sich die Arbeitsflächen (7) schneller und gleichmäßiger.
- Vergewissern Sie sich vor dem Essen, dass die Lebensmittel durchgegrillt sind.
- Nach der Zubereitung nehmen Sie die Lebensmittel aus dem Grill sofort heraus, ihr längeres Bleiben im eingeschalteten Grill kann zu ihrer Entzündung führen.
- Es ist verboten, gegrillte Lebensmittel mit den Metallgegenständen, die die Antihafbeschichtung der Arbeitsflächen (7) beschädigen können, herauszunehmen; verwenden Sie das Küchenzubehör für antihafbeschichtete Oberflächen

- Bereiten Sie die erforderlichen Lebensmittel vor.
- Stecken Sie den Netzstecker in die Steckdose ein, dabei leuchtet die Kontrolleuchte (8) «POWER».
- Drehen Sie den Temperaturregler der Oberarbeitsfläche (12) und stellen Sie den gewünschten Betrieb ein, dabei leuchtet die Anzeige (9) «UP»; die Anzeige (9) «UP» erlischt, wenn die Temperatur der Oberarbeitsfläche den eingestellten Wert erreicht:
 - «OFF» — der Grill ist ausgeschaltet
 - «LOW» — niedrige Heiztemperatur der Oberarbeitsfläche
 - «MED» — mittlere Heiztemperatur der Oberarbeitsfläche
 - «MAX» — Erhitzung der Oberarbeitsfläche auf eine maximale Temperatur von 230°C.
- Drehen Sie den Temperaturregler der Unterarbeitsfläche (11) und stellen Sie den gewünschten Betrieb ein, dabei leuchtet die Anzeige (10) «DOWN»; die Anzeige (10) «DOWN» erlischt, wenn die Temperatur der Oberarbeitsfläche den eingestellten Wert erreicht:
 - «OFF» — der Grill ist ausgeschaltet
 - «LOW» — niedrige Heiztemperatur der Oberarbeitsfläche
 - «MED» — mittlere Heiztemperatur der Oberarbeitsfläche
 - «MAX» — Erhitzung der Oberarbeitsfläche auf eine maximale Temperatur von 230°C.

- **Anmerkung:** - bei der Geräteverwendung als Kontaktgrill wird die Temperatur der Arbeitsflächen nach 3-5 Heiz-/Kühlzyklen stabilisiert und auf einem Niveau von 220 C bis 230°C gehalten.
- Warten Sie ab, bis sich die Arbeitsflächen (7) erwärmen, die Kontrollleuchte (9, 10) löscht.
- Fassen Sie den Griff (3) an und machen Sie den Grill auf.
- Legen Sie die Lebensmittel auf die untere Arbeitsfläche vorsichtig aus, hüten Sie sich vor den Verbrennungen durch mögliche Saft- oder Fettspritzer.
- Halten Sie den Griff (3) und lassen Sie die obere Arbeitsfläche auf die Lebensmittel herunter.

Anmerkung: abhängig von der Dicke gegrillter Lebensmittel können Sie den Arbeitsflächenzwischenraum (7) einstellen, schieben Sie dafür den Riegel (5) in die gewünschte Position «Low-High» um.

- Nachdem die Lebensmittel fertig gegrillt sind, fassen Sie den Griff (3) an und heben Sie die obere Arbeitsfläche auf.
- Legen Sie die zubereiteten Lebensmittel mit hitzebeständigem Holz- oder Kunststoffküchenzubehör in ein geeignetes Geschirr um.

- Um den Grill auszuschalten, drehen Sie den Betriebsschalter (11, 12) und stellen Sie ihn in die Position «OFF», die Kontrollleuchten (9, 10) erlöschen; ziehen Sie den Netzstecker aus der Steckdose heraus.

Nutzung des Grills als Bratfläche (Abb. 1).

- Sie können den Grill als offene Bratfläche benutzen.
- Bevor Sie den Netzstecker in die Steckdose einstecken, machen Sie den Grill auf; greifen Sie dazu den Griff (3) und heben Sie den oberen Teil des Grills an.
- Drücken Sie die Taste (4) «180°» und machen Sie den Grill vollständig auf.
- Stecken Sie den Netzstecker in die Steckdose ein, dabei leuchtet die Kontrolleuchte (8) «POWER».
- Durchs Drehen der Regler (11, 12) können Sie die gewünschte Heiztemperatur der Arbeitsflächen (7) einstellen, dabei leuchten die Anzeigen (9) «UP» und (10) «DOWN».
- Warten Sie ab, bis sich die Arbeitsflächen (7) erwärmen, die Kontrollleuchte (9, 10) löscht.
- Legen Sie die Lebensmittel auf die Arbeitsflächen vorsichtig aus, hüten Sie sich vor den Verbrennungen durch mögliche Saft- oder Fettspritzer.
- Legen Sie die zubereiteten Lebensmittel mit hitzebeständigem Holz- oder Kunststoffküchenzubehör in ein geeignetes Geschirr um.

- Um den Grill auszuschalten, stellen Sie den Betriebsschalter (11, 12) in die Position «OFF», die Kontrollleuchten (9, 10) erlöschen; ziehen Sie den Netzstecker aus der Steckdose heraus.
- Warten Sie, bis der Grill vollständig abgekühlt ist, heben Sie den Oberteil des Grills an, drücken Sie die Taste (4) «180°» und klappen Sie den Ober- und Unterteil (1) des Grills zusammen.
- Um den Unter- und Oberteil des Grills zu befestigen, stellen Sie den Riegel (5) in die Position «Lock»

REINIGUNG UND PFLEGE

- Reinigen Sie die Arbeitsflächen (7) des Grills nach jedem Betrieb.
- Schalten Sie den Grill aus, indem Sie den Betriebsschalter (11, 12) in die Position «0» stellen, ziehen Sie den Netzstecker aus der Steckdose heraus und warten Sie ab, bis der Grill vollständig abkühlt.
- Wischen Sie das Grillgehäuse mit einem leicht angefeuchteten Tuch, danach trocknen Sie es ab.
- Fassen Sie den Griff (3) an und machen Sie den Grill auf.
- Nehmen Sie die obere Arbeitsfläche ab, indem Sie die Verriegelung (2) «RELEASE» von der Seite drücken.
- Nehmen Sie die untere Arbeitsfläche ab, indem Sie die Verriegelung «RELEASE» drücken.
- Nehmen Sie die Schale (6) heraus und gießen Sie die Flüssigkeit daraus.

- Waschen Sie die Arbeitsflächen (7) und die Schale (6) mit Warmwasser und einem neutralen Reinigungsmittel, spülen und dann trocknen Sie sie ab.
- Stellen Sie die Oberflächen auf (7) zurück auf, lassen Sie dazu die Vorsprünge am Gehäuse und die Aussparungen im Unterteil der Flächen (7) zusammenfallen, und heben Sie dann die obere Fläche an und lassen Sie die untere Fläche herunter, bis die Halterungen (1, 2) «RELEASE» einrasten; vergewissern Sie sich, dass die Flächen (7) befestigt sind.
- Verwenden Sie zum Reinigen der Arbeitsflächen (7) und des Grillgehäuses keine Metallschwämme, Schleifreinigungs- oder Lösungsmittel.
- Es ist nicht gestattet, den Grill, das Netzkabel und den Netzstecker ins Wasser oder jegliche andere Flüssigkeiten einzutauchen.

AUFBEWAHRUNG

- Bevor Sie den Grill zur Aufbewahrung wegnehmen, reinigen Sie die Arbeitsflächen (7) und das Grillgehäuse.
- Klappen Sie den Ober- und Unterteil des Grills zusammen und stellen Sie den Riegel (5) in die Position «Lock».
- Im geklappten Zustand kann der Grill senkrecht gelagert werden.

- Bewahren Sie das Gerät an einem trockenen, kühlen und für Kinder und behinderte Personen unzugänglichen Ort auf.

LIEFERUMFANG

1. Grill — 1 Stk
2. Arbeitsflächen — 2 Stk
3. Schale — 1 Stk
4. Bedienungsanleitung — 1 Stk

TECHNISCHE ANGABEN

- Stromversorgung: 220-240 V, ~ 50 Hz
- Nennleistungsaufnahme: 2000 W

ENTSORGUNG



Um ein mögliches Schaden für die Umwelt oder die menschliche Gesundheit durch unkontrollierte Abfallentsorgung zu vermeiden, werfen Sie das Gerät und die Batterien (falls mitgeliefert) nach Beendigung ihrer Nutzungsdauer

zusammen mit gewöhnlichen Haushaltsabfällen nicht weg, geben Sie das Gerät und die Batterien in die Spezialpunkte für weitere Entsorgung über.

Die bei der Entsorgung der Erzeugnisse entstehenden Abfälle sind unbedingt zu sammeln und weiter ordnungsmäßig zu entsorgen.

Mehrere Information zur Entsorgung dieses Lebensmittels erhalten Sie bei Ihrer lokalen Stadtverwaltung, einem Abfallentsorgungsdienst oder beim Geschäft, wo Sie dieses Lebensmittel gekauft haben.

Der Hersteller behält sich das Recht vor, das Design, die Konstruktion und die das gemeine Gerätebetriebsprinzip nicht beeinflussende technische Eigenschaften ohne Vorbenachrichtigung zu verändern.

Die Gerätenutzungsdauer beträgt 3 Jahre

Das Herstellungsdatum ist in der Fabrikationsnummer angegeben.

Bei Störungsfeststellung wenden Sie sich baldigst an einen autorisierten Kundendienst.

ЭЛЕКТРИЧЕСКИЙ ГРИЛЬ-ПРЕСС BR2007

Гриль используется для приготовления мясных, рыбных или овощных продуктов. Устройство можно использовать в качестве контактного гриля или открытых жарочных поверхностей.

ОПИСАНИЕ

1. Фиксатор нижней рабочей поверхности «RELEASE»
2. Фиксатор верхней рабочей поверхности «RELEASE»
3. Ручка
4. Кнопка раскрытия гриля «180°»
5. Фиксатор верхней и нижней частей гриля/регулятор зазора между рабочими поверхностями
6. Поддон
7. Верхняя и нижняя рабочая поверхность
8. Индикатор включения в сеть «ВКЛ»
9. Индикатор нагрева верхней рабочей поверхности «ВЕРХ»
10. Индикатор нагрева нижней рабочей поверхности «НИЗ»
11. Ручка регулятора температуры нижней рабочей поверхности «ВЫКЛ-НИЗ-СРЕД-МАКС»
12. Ручка регулятора температуры верхней рабочей поверхности «ВЫКЛ-НИЗ-СРЕД-МАКС»

ВНИМАНИЕ!

Для дополнительной защиты в цепи питания целесообразно установить устройство защитного отключения (УЗО) с номинальным током срабатывания, не превышающим 30 мА, для установки УЗО обратитесь к специалисту.

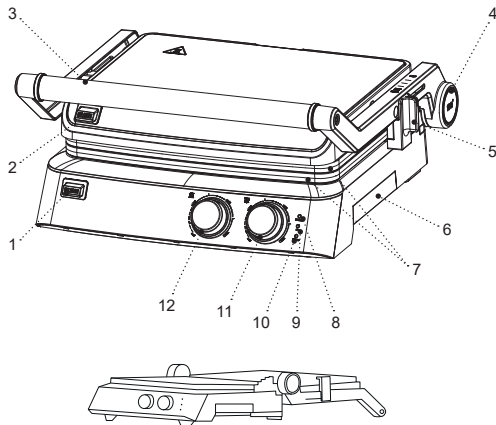



Рис. 1

МЕРЫ БЕЗОПАСНОСТИ И РЕКОМЕНДАЦИИ ПО ЭКСПЛУАТАЦИИ

Перед использованием гриля внимательно ознакомьтесь с руководством по эксплуатации, после прочтения сохраните его для использования в будущем.

- Используйте гриль только по его прямому назначению, как изложено в данной инструкции.
- Неправильное обращение с грилем может привести к его поломке, причинению вреда пользователю или его имуществу и не является гарантийным случаем.
- Убедитесь, что рабочее напряжение устройства, указанное на этикетке, соответствует напряжению электросети.
- Вилку шнура питания вставляйте в электрическую розетку, имеющую надежный контакт заземления.
- Запрещается подключать устройство к внешним таймерам или к электрическим розеткам с дистанционным управлением.
- Во избежание риска возникновения пожара, запрещается использовать «переходники» при подключении гриля к электрической розетке.
- Устанавливайте и используйте гриль на ровной, сухой, устойчивой, термостойкой поверхности так, чтобы доступ к сетевой розетке всегда был свободным.
- Запрещается использовать устройство вне помещений.
- Не рекомендуется использовать устройство во время грозы.
- Оберегайте гриль от ударов, падений, вибраций и иных механических воздействий.
- Не оставляйте устройство, включённое в сеть, без присмотра.
- Не используйте устройство в непосредственной близости от нагревательных приборов, источников тепла или открытого пламени.
- Запрещается использовать гриль в местах, где используются или распыляются аэрозоли, а также вблизи от легковоспламеняющихся жидкостей.
- Не используйте гриль вблизи от кухонной раковины, в ванных комнатах, около бассейнов или других ёмкостей, наполненных водой.
- Если гриль упал в воду, немедленно выньте вилку шнура питания из электрической розетки, и только после этого можно достать устройство из воды.
- Не допускайте, чтобы шнур питания касался горячих поверхностей и острых кромок мебели.
- Во время работы корпус гриля сильно нагревается, во избежание получения ожогов не дотрагивайтесь до горячих поверхностей, обозначенных знаком «»
- Не перемещайте горячий гриль, дождитесь полного его остывания.
- Используйте устройство в местах с хорошей вентиляцией.

- Используйте только те детали гриля, которые входят в комплект поставки.
- Запрещается включать устройство, если в гриле нет продуктов.
- Запрещается использовать гриль для приготовления замороженных продуктов.
- Разморозьте продукты перед их приготовлением.
- Остерегайтесь выхода пара из зазоров между рабочими поверхностями, не подносите руки и не располагайте другие открытые участки тела близко к зазорам между рабочими поверхностями.
- Вынимайте продукты из гриля сразу после приготовления, при длительном нахождении продуктов во включенном гриле может произойти их возгорание.
- Запрещается извлекать приготовленные продукты металлическими предметами, которые могут повредить антипригарное покрытие рабочих поверхностей, используйте кухонные аксессуары, предназначенные для антипригарных поверхностей.
- Отключайте устройство от электросети после использования или перед чисткой. При отключении гриля от электрической сети держитесь за вилку шнура питания и аккуратно выньте её из электрической розетки, не тяните за шнур питания — это может привести к его повреждению и вызвать короткое замыкание.

- Не прикасайтесь к корпусу устройства, к шнуру питания и к вилке шнура питания мокрыми руками.
- Из соображений безопасности детей не оставляйте полиэтиленовые пакеты, используемые в качестве упаковки, без надзора.

ВНИМАНИЕ!

Не разрешайте детям играть с полиэтиленовыми пакетами или упаковочной плёнкой. **Опасность удушья!**

- Устройство не предназначено для использования детьми.
- Осуществляйте надзор за детьми, чтобы не допустить использования устройства в качестве игрушки.
- Не разрешайте детям прикасаться к рабочей поверхности, к корпусу устройства, к шнуру питания или к вилке шнура питания во время работы устройства.
- Будьте особенно внимательны, если поблизости от работающего устройства находятся дети или лица с ограниченными возможностями.
- Во время работы и в перерывах между рабочими циклами размещайте устройство в местах, недоступных для детей.
- Прибор не предназначен для использования лицами (включая детей) с пониженными физически-

ми, психическими или умственными способностями, или при отсутствии у них опыта или знаний, если они не находятся под контролем или не проинструктированы лицом, ответственным за их безопасность, об использовании прибора.

- Периодически проверяйте целостность шнура питания.
- При повреждении шнура питания его замену, во избежание опасности, должны производить изготовитель, сервисная служба или подобный квалифицированный персонал.
- Запрещается самостоятельно ремонтировать устройство. Не разбирайте устройство самостоятельно, при возникновении любых неисправностей, а также после падения устройства отключите его от электросети и обратитесь в авторизованный сервисный центр.
- Во избежание повреждений перевозите устройство в заводской упаковке.
- Храните устройство в сухом прохладном месте, недоступном для детей и людей с ограниченными возможностями.

УСТРОЙСТВО ПРЕДНАЗНАЧЕНО ТОЛЬКО ДЛЯ БЫТОВОГО ИСПОЛЬЗОВАНИЯ, ЗАПРЕЩАЕТСЯ ИСПОЛЬЗОВАТЬ УСТРОЙСТВО В КОММЕРЧЕСКИХ ИЛИ ЛАБОРАТОРНЫХ ЦЕЛЯХ.

ПЕРЕД ПЕРВЫМ ИСПОЛЬЗОВАНИЕМ

После транспортировки или хранения устройства при отрицательной температуре распакуйте его и подождите 4 часа перед использованием.

- Распакуйте устройство и удалите все упаковочные материалы.
- Сохраните заводскую упаковку.
- Ознакомьтесь с мерами безопасности и рекомендациями по эксплуатации.
- Проверьте комплектацию.
- Осмотрите устройство на наличие повреждений, при наличии повреждений не включайте его в сеть.
- Убедитесь, что указанные параметры напряжения питания устройства соответствуют параметрам электрической сети.
- Протрите поверхность корпуса гриля слегка влажной тканью, после чего вытрите насухо.
- Сдвиньте фиксатор (5) в положение «Open», возьмитесь за ручку (3) и раскройте гриль.
- Снимите верхнюю рабочую поверхность, нажав на фиксатор (2) «RELEASE».
- Снимите нижнюю рабочую поверхность, нажав на фиксатор (1) «RELEASE».
- Выньте поддон (6).
- Промойте рабочие поверхности и поддон (6) тёплой водой с использованием нейтрального моющего средства, ополосните, затем вытрите насухо.

- Установите рабочие поверхности (7) на место, для этого совместите выступы на корпусе и углубления в нижней части рабочих поверхностей (7), а затем приподнимите верхнюю поверхность и опустите нижнюю поверхность до срабатывания фиксаторов (1, 2) «RELEASE», убедитесь, что поверхности (7) зафиксированы.
- Установите гриль так, чтобы от стен до корпуса гриля было расстояние не менее 20 см, а свободное пространство над грилем составляло не менее 60 см.
- Используйте гриль на ровной устойчивой поверхности вдали от источников влаги, тепла и открытого пламени так, чтобы доступ к сетевой розетке всегда был свободным.
- Не устанавливайте и не используйте гриль вблизи легковоспламеняющихся материалов или жидкостей, а также предметов, подверженных тепловой деформации.
- Используйте устройство в местах с хорошей вентиляцией.
- Убедитесь, что поддон (6) установлен на место.
- Перед использованием гриля раскройте его и слегка смажьте растительным маслом рабочие поверхности (7).
- Вставьте вилку шнура питания в электрическую розетку, при этом загорится индикатор (8) «ВКЛ».
- Поверните ручки регуляторов температуры (11 и 12) и установите в положение МАКС», при этом загорятся световые индикаторы (9, 10).

Примечания:

- световой индикатор (8) при включении гриля в электрическую розетку будет светиться постоянно;
- световой индикатор (9) «ВЕРХ» погаснет, когда верхняя рабочая поверхность достигнет установленной температуры
- световой индикатор (10) «НИЗ» погаснет, когда нижняя рабочая поверхность достигнет установленной температуры
- индикатор (9, 10) будет периодически загораться и гаснуть, сигнализируя о поддержании установленной температуры рабочих поверхностей (7).
- Приблизительно минут через 6-8 выключите гриль, установив ручки переключателя режимов работы (11, 12) в положение «ВЫКЛ», выньте вилку шнура питания из розетки, дождитесь полного остывания гриля, возьмитесь за ручку (3), раскройте гриль и удалите остатки растительного масла с рабочих поверхностей (7) бумажной салфеткой.
- Гриль готов к использованию.

Примечания:

- при первом включении устройства, возможно появление постороннего запаха или небольшого количества дыма от нагревательных элементов — это допустимо и не является гарантийным случаем.

ПРИГОТОВЛЕНИЕ ПРОДУКТОВ В ГРИЛЕ

• ВНИМАНИЕ!

- Во время работы корпус гриля сильно нагревается, во избежание получения ожогов не дотрагивайтесь до горячих поверхностей, обозначенных знаком «▲».
- Остерегайтесь выхода пара из зазоров между рабочими поверхностями (7), не подносите руки и не располагайте другие открытые участки тела близко к зазорам между рабочими поверхностями (7).
- Не используйте гриль для приготовления замороженных продуктов.
- Не готовьте куски мяса на крупных костях.
- Длительность приготовления зависит от используемых продуктов.
- Перед началом приготовления, убедитесь, что поддон (6) установлен.
- После включения гриля не раскрывайте его, в закрытом положении рабочие поверхности (7) нагреваются быстрее и равномернее.
- Перед употреблением продуктов в пищу убедитесь, что они полностью прожарены.
- Вынимайте продукты из гриля сразу после приготовления, при длительном нахождении продуктов во включенном гриле может произойти их возгорание.

- Запрещается извлекать приготовленные продукты металлическими предметами, которые могут повредить антипригарное покрытие рабочих поверхностей (7), используйте кухонные аксессуары, предназначенные для антипригарных поверхностей.

- Подготовьте необходимые продукты.
- Вставьте вилку шнура питания в электрическую розетку, при этом загорится индикатор (8) «ВКЛ».
- Поверните ручку регулятора температуры верхней рабочей поверхности (12) и установите необходимый режим работы, при этом загорится индикатор (9) «ВЕРХ», индикатор (9) «ВЕРХ» погаснет, когда температура верхней рабочей поверхности достигнет установленного значения:
 - «ВЫКЛ» — гриль выключен
 - «НИЗ» — низкая температура нагрева верхней рабочей поверхности
 - «СРЕД» — средняя температура нагрева верхней рабочей поверхности
 - «МАКС» — нагрев верхней рабочей поверхности до максимальной температуры 230 °С.
- Поверните ручку регулятора температуры нижней рабочей поверхности (11) и установите необходимый режим работы, при этом загорится индикатор (10) «НИЗ», индикатор (10) «НИЗ» погаснет, когда температура верхней рабочей поверхности достигнет установленного значения:

- «ВЫКЛ» — гриль выключен
- «НИЗ» — низкая температура нагрева верхней рабочей поверхности
- «СРЕД» — средняя температура нагрева верхней рабочей поверхности
- «МАКС» — нагрев верхней рабочей поверхности до максимальной температуры 230 °С.
- Примечание: при использовании устройства в качестве контактного гриля, после 3-5 циклов нагрева/остывания температура рабочих поверхностей стабилизируется и поддерживается на уровне от 220 °С до 230 °С.
- Дождитесь нагрева рабочих поверхностей (7), индикаторы (9, 10) погаснут.
- Возьмитесь за ручку (3) и раскройте гриль.
- Осторожно положите продукты на нижнюю рабочую поверхность, остерегайтесь ожогов возможными брызгами жира или сока, выделяемых продуктами.
- Держитесь за ручку (3), опустите верхнюю рабочую поверхность на продукты.

Примечание: в зависимости от толщины приготавливаемых продуктов, Вы можете регулировать зазор между рабочими поверхностями (7), для этого переместите ручку фиксатора (5) в нужное положение «Low-High».

- После приготовления продуктов, возьмитесь за ручку (3) и поднимите верхнюю рабочую поверхность.

- Переложите приготовленные продукты в подходящую посуду, используя деревянные или термостойкие пластмассовые кухонные аксессуары.
- Для выключения гриля, поверните ручки (11, 12) и установите их в положение «ВЫКЛ», световые индикаторы (9, 10) погаснут, выньте вилку шнура питания из розетки.

Использование гриля в качестве жарочной поверхности (рис. 1)

- Вы можете использовать гриль в качестве открытой жарочной поверхности.
- Перед тем, как вставить вилку шнура питания в розетку, раскройте гриль, для этого возьмитесь за ручку (3), приподнимите верхнюю часть гриля.
- Нажмите на кнопку (4) «180°» и полностью раскройте гриль.
- Вставьте вилку шнура питания в электрическую розетку, при этом загорится индикатор (8) «ВКЛ».
- Поворотом ручек (11, 12), вы можете установить необходимую температуру нагрева рабочих поверхностей (7), при этом загорятся индикаторы (9) «ВЕРХ» и (10) «НИЗ».
- Дождитесь нагрева рабочих поверхностей (7), индикаторы (9, 10) погаснет.
- Осторожно положите продукты на рабочие поверхности, остерегайтесь ожогов возможными брызгами жира или сока, выделяемых продуктами.

- Переложите приготовленные продукты в подходящую посуду, используя деревянные или термостойкие пластмассовые кухонные аксессуары.
- Для выключения гриля, установите ручки (11, 12) в положение «ВЫКЛ», световые индикаторы (9, 10) погаснут, выньте вилку шнура питания из розетки.
- Дождитесь полного остывания гриля, приподнимите верхнюю часть гриля, нажмите кнопку (4) «180°» и сложите верхнюю и нижнюю части гриля вместе.
- Для фиксации нижней и верхней частей гриля установите ручку фиксатора (5) в положение «Lock».

ЧИСТКА И УХОД

- Производите чистку рабочих поверхностей (7) гриля после каждого использования гриля.
- Выключите гриль, установив ручки (11, 12) в положение «ВЫКЛ», выньте вилку шнура питания из розетки, дождитесь полного остывания гриля.
- Протрите поверхность корпуса гриля слегка влажной тканью, после чего вытрите насухо.
- Возьмитесь за ручку (3) и раскройте гриль.
- Снимите верхнюю рабочую поверхность, нажав на фиксатор (2) «RELEASE».
- Снимите нижнюю рабочую поверхность, нажав на фиксатор (1) «RELEASE».
- Выньте поддон (6) и вылейте из него жидкость.

- Промойте рабочие поверхности (7) и поддон (2) тёплой водой с использованием нейтрального моющего средства, ополосните, затем вытрите насухо.
- Установите поверхности (7) на место, для этого совместите выступы на корпусе и углубления в нижней части рабочих поверхностей (7), а затем приподнимите верхнюю поверхность и опустите нижнюю поверхность до срабатывания фиксаторов (1, 2) «RELEASE», убедитесь, что поверхности (7) зафиксированы.
- Запрещается использовать для чистки рабочих поверхностей (7) и корпуса гриля металлические мочалки, абразивные чистящие средства или растворители.
- Не погружайте гриль, шнур питания и вилку шнура питания в воду или любые другие жидкости.

ХРАНЕНИЕ

- Перед тем как убрать гриль на хранение выполните чистку рабочих поверхностей (7) и корпуса гриля.
- Сложите вместе верхнюю и нижнюю части гриля, установите ручку фиксатора (5) в положение «Lock».
- В сложенном положении, гриль можно хранить вертикально.

- Храните устройство в сухом прохладном месте, недоступном для детей и людей с ограниченными возможностями.

КОМПЛЕКТАЦИЯ

1. Гриль-пресс — 1 шт.
2. Рабочие поверхности — 2 шт.
3. Поддон — 1 шт.
4. Инструкция — 1 шт.

ТЕХНИЧЕСКИЕ ХАРАКТЕРИСТИКИ

- Электропитание 220-240 В, ~ 50 Гц
- Номинальная потребляемая мощность: 2000 Вт

УТИЛИЗАЦИЯ



Чтобы предотвратить возможный вред окружающей среде или здоровью людей от неконтролируемой утилизации отходов, после окончания срока службы устройства или элементов питания (если входят в комплект), не выбрасывайте их вместе с обычными бытовыми отходами, передайте прибор и элементы питания в специализированные пункты для дальнейшей утилизации.

Отходы, образующиеся при утилизации изделий, подлежат обязательному сбору с последующей утилизацией в установленном порядке.

Для получения дополнительной информации об утилизации данного продукта обратитесь в местный муниципалитет, службу утилизации бытовых отходов или в магазин, где Вы приобрели данный продукт.

Производитель сохраняет за собой право изменять дизайн, конструкцию и технические характеристики, не влияющие на общие принципы работы устройства, без предварительного уведомления.

Срок службы устройства — 3 года

Дата производства указана в серийном номере.

В случае обнаружения каких-либо неисправностей необходимо обратиться в авторизованный сервисный центр.

ГРИЛЬ BR2007

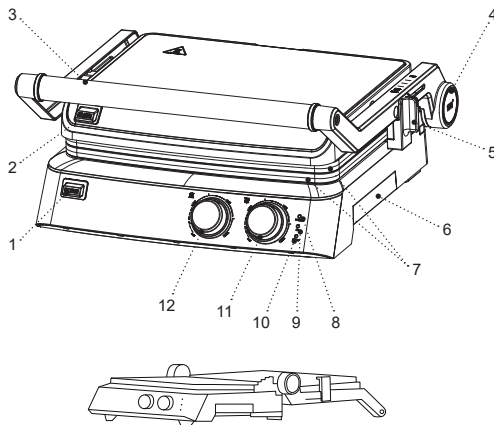
Гриль ет, балық немесе көкөніс өнімдерін әзірлеу үшін пайдаланылады. Құрылғыны жанаспалы гриль немесе ашық қуыру беті ретінде пайдалануға болады.

СИПАТТАМАСЫ

1. «RELEASE» төменгі жұмыс бетінің бекіткіші
2. «RELEASE» жоғарғы жұмыс бетінің бекіткіші
3. Тұтқа
4. «180°» грильді ашу батырмасы
5. Грильдің жоғарғы және төменгі бөліктерінің бекіткіші/жұмыс беттері арасындағы саңылау реттегіші
6. Табандық
7. Жоғарғы және төменгі жұмыс беттері
8. «POWER» желіге қосу индикаторы
9. «UP» жоғарғы жұмыс бетін қыздыру индикаторы
10. «DOWN» төменгі жұмыс бетін қыздыру индикаторы
11. «ВЫКЛ-НИЗ-СРЕД-МАКС» төменгі жұмыс бетінің температура реттегішінің тұтқасы
12. «ВЫКЛ-НИЗ-СРЕД-МАКС» жоғарғы жұмыс бетінің температура реттегішінің тұтқасы

НАЗАР АУДАРЫҢЫЗ!


Қосымша қорғаныс үшін қуаттандыру тізбегінде номиналды іске қосылу тогы 30 мА аспайтын қорғаныс сөндіру құрылғысын (ҚАҚ) орнатқан дұрыс, ҚАҚ-ты орнату үшін маманға хабарласыңыз.



Сур. 1

ҚАУІПСІЗДІК ШАРАЛАРЫ ЖӘНЕ ПАЙДАЛАНУ БОЙЫНША НҰСҚАУЛЫҚТАР

Грильді пайдалану алдында пайдалану жөніндегі нұсқаулықты мұқият оқып шығыңыз, оқыған соң, болашақта пайдалану үшін сақтап қойыңыз.

- Грильді осы нұсқаулықта баяндалғандай, тікелей мақсаты бойынша ғана пайдаланыңыз.
- Грильді дұрыс қолданбау оның бұзылуына, және пайдаланушыға немесе оның мүлкіне зиян келтіруге әкеп соғуы мүмкін және кепілдік жағдайы болып табылмайды.
- Заттаңбада көрсетілген құрылғының жұмыс кернеуі, электр желісінің кернеуіне сәйкес екеніне көз жеткізіңіз.
- Қуаттандыру бауының ашасын жерге қосудың сенімді байланысы бар электр розеткасына салыңыз.
- Құралды сыртқы таймерлерге немесе дистанциондық басқаратын электрлік розеткаларға қосуға тыйым салынады.
- Өрт шығу қауіпін болдырмау үшін, грильді электр розеткасына қосар алдында «жалғастырғыштарды» пайдалануға тыйым салынады.
- Грильді желі розеткасына кіру әрқашан бос болатындай етіп тегіс, құрғақ, орнықты, термо төзімді бетке орнатыңыз және пайдаланыңыз.
- Құрылғыны үй-жайдан тыс жерде пайдалануға тыйым салынады.
- Найзағай кезінде құрылғыны пайдалану ұсынылмайды.
- Грильді соққыдан, құлаудан, дірілден және басқа да механикалық әсерлерден сақтаңыз.
- Желіге қосылған құрылғыны, қараусыз қалдырмаңыз.
- Құрылғыны жылу көздерінің, жылыту аспаптарының немесе ашық оттың тікелей жанында пайдаланбаңыз.
- Грильді аэрозольдар пайдаланылатын немесе шашырайтын жерлерде, сондай-ақ тез тұтанатын сұйықтықтарға жақын жерлерде пайдалануға тыйым салынады.
- Грильді ас үй раковинасына жақын, жуынатын бөлмеде, бассейндер немесе басқа да су толтырылған сыйымдылықтарға жақын жерде пайдаланбаңыз.
- Гриль суға құлап кеткен жағдайда, дереу желі бауының ашасын электр розеткасынан сурыңыз, содан кейін ғана құрылғыны судан алып шығуға болады.
- Қуаттандыру бауының ыстық беттерге және жиһаздың өткір жиектеріне тиюін болдырмаңыз.
- Жұмыс уақытыныда гриль корпусы қатты қызады, күйік алуға жол бермеу үшін, таңбамен белгіленген «» ыстық беттерге қолыңызды тигізбеңіз.
- Ыстық грильді жылжытпаңыз, оның толық салқындауын күтіңіз.

- Құрылғыны желдетуі жақсы жерлерде пайдаланыңыз.
- Грильдің жеткізу жиынтығына кіретін бөлшектерін ғана қолданыңыз.
- Егер грильде өнімдер болмаса, құрылғыны қосуға тыйым салынады.
- Мұздатылған өнімдерді дайындау үшін гриль қолдануға тыйым салынады,
- өнімдерді дайындау алдында оларды жібітіңіз.
- Күйік алуға жол бермеу үшін жұмыс беттері арасындағы саңылаулардан шығатын будан сақ болыңыз, жұмыс беттерінің арасындағы саңылауларға қолыңызды және дененің басқа ашық бөліктерін тақмаңыз.
- Өнімдерді әзірлеп болғаннан кейін бірден шығарыңыз, өнімдер іске қосылған грильде ұзақ қалған жағдайда өртенуі мүмкін.
- Дайындалған өнімдерді жұмыс беттерінің күйге қарсы жабынын зақымдауы үшін металл заттармен алуға тыйым салынады, күйге қарсы бетке арналған ас үй аксессуарларын пайдаланыңыз.
- Құрылғыны пайдаланып болғаннан кейін немесе тазалау алдында міндетті түрде сөндіріңіз. Грильді электр желісінен ажыратқан кезде тек желі бауының ашасынан ұстаңыз және оны электр розеткасынан абайлап шығарыңыз, желі бауынан тартпаңыз — бұл оның зақымдануына әкеліп, қысқа тұйықталуын тудыруы мүмкін.

- Құрылғы корпусын, желі бауын және желі бауының ашасын су қолмен ұстамаңыз.
- Балалардың қауіпсіздігі үшін қаптама ретінде пайдаланылатын полиэтилен пакеттерді қадағаласыз қалдырмаңыз.

Назар аударыңыз!

Балаларға полиэтилен пакеттерімен немесе қаптама үлдірімен ойнауға рұқсат етпеңіз. **Тұншығу қаупі!**

- Құрылғы балалардың пайдалануына арналмаған.
- Құрылғыны ойыншық ретінде пайдалануын болдырмау үшін, балаларды қадағалаңыз.
- Құрылғы жұмыс істеп тұрғанда балалар жұмыс бетіне, құрылғы корпусына, желі бауына немесе желі бауының ашасына жақындауына рұқсат бермеңіз.
- Егер жұмыс істеп тұрған құрылғының маңында балалар немесе мүмкіндіктері шектеулі адамдар болса, онда ерекше мұқият болыңыз.
- Жұмыс істеу уақытында және жұмыс циклдері арасындағы үзілістерде құрылғыны балалардың қолы жетпейтін жерде орналастырыңыз.
- Аспап дене, жүйке немесе сана мүмкіндіктері төмендетілген тұлғалардың (балаларды қоса) пайдалануына арналмаған, сондай-ақ егер олардың тәжірибесі немесе білімі болмаса, егер олар бақыланбаса немесе олардың қауіпсіздігі үшін жауап беретін тұлғамен аспапты пайдалану туралы нұсқаулықтар берілмесе.

- Желі бауының бүтіндігін мезгілімен тексеріп отырыңыз.
- Қуаттандыру бауы зақымданғанда қауіп тудырмау үшін оны дайындаушы, сервистік қызмет немесе баламалы білікті маман ауыстыруы тиіс.
- Құрылғыны өздігіңізден жөндеуге тыйым салынады. Құрылғыны өз бетіңізбен бөлшектемеңіз, кез-келген ақаулықтар пайда болған кезде, сондай-ақ құрылғы құлағаннан кейін оны электр желісінен ажыратыңыз және авторланған сервистік орталыққа жүгініңіз.
- Құрылғыны зақымдамау үшін, оны тек зауыт қаптамасында тасымалдаңыз.
- Құрылғыны салқын және құрғақ жерде, балалардың және мүмкіндігі шектеулі адамдардың қолы жетпейтін жерде сақтаңыз.

ҚҰРАЛ ТЕК ТҰРМЫСТЫҚ ПАЙДАЛАНУҒА АРНАЛҒАН, ҚҰРАЛДЫ КОММЕРЦИЯЛЫҚ НЕМЕСЕ ЗЕРТХАНАЛЫҚ МАҚСАТТАРДА ПАЙДАЛАНУҒА ТЫЙЫМ САЛЫНАДЫ.

АЛҒАШ РЕТ ПАЙДАЛУ АЛДЫНДА

Құралды кері температурада тасымалдағаннан немесе сақтағаннан кейін оны қаптамадан шығарыңыз және пайдалану алдында 3 сағат күтіңіз.

- Құралды қаптамадан шығарыңыз және барлық қаптама материалдарын жойыңыз.

- Зауыт қаптамасын сақтаңыз.
- Қауіпсіздік шаралары мен пайдалану нұсқауларымен танысыңыз.
- Жинақталымын тексеріңіз.
- Құралды зақымдануына қатысты байқаңыз зақымдануы болған жағдайда оны желіге қоспаңыз.
- Құралдың көрсетілген қуаттандыру кернеуі параметрлері электр желісінің параметрлеріне сәйкес келетініне көз жеткізіңіз. Құрылғыны 60 Гц жиіліктегі электр желісінде пайдаланғанда, ешқандай қосымша әрекет қажет емес.
- Гриль корпусын сәл дымқыл жұмсақ матамен сүртіп, содан кейін құрғатып сүртіңіз.
- Бекіткішті (5) күйіне «Open», жылжытыңыз, тұтқасынан (3) ұстаңыз және грильді ашыңыз.
- Жоғарғы жұмыс бетін шешіп алыңыз, ол үшін бүйірдегі бекітпеге (2) «RELEASE» басыңыз.
- Төменгі жұмыс бетін шешіп алыңыз, ол үшін бекітпеге (1) «RELEASE» басыңыз.
- Табаңдықты (6) шығарыңыз.
- Жұмыс бетін және табаңдықты (6) жылы сумен бейтарап жуу құралын пайдаланып жуыңыз, шайыңыз, содан кейін құрғатып сүртіңіз.
- Беттерді (7) орнатыңыз, ол үшін корпуста шығыңқы жерлерді және беттердің (7) төменгі жағындағы ойықтарды сәйкестендіріңіз, содан кейін жоғарғы бетін көтеріңіз және бекітпелер (1, 2)

- «RELEASE» іске қосылғанға дейін төменгі бетті (9) түсіріңіз, беттердің (7) бекітілгеніне көз жеткізіңіз.
- **Ескертпе:** — беттер (5, 6) екі жақты, оларды жанаспалы гриль үшін де, тегіс бет жағынан да пайдалануға болады.
 - Грильді оның корпусынан қабырғаға дейін 20 см-ден кем емес қашықтық қалатындай, ал грильдің үстіндегі кеңістігі 60 см-ден кем емес болатындай етіп орнатыңыз.
 - Грильді ылғал, жылу көздерінен ашық оттан алыс, тегіс орнықты бетте пайдаланыңыз,
 - желі розеткасына қолжетімділік үнемі ашық болсын.
 - Грильді тез тұтанатын материалдардың немесе сұйықтықтардың жанына, сондай-ақ жылу деформациясына ұшырайтын
 - заттардың жанына орнатпаңыз және пайдаланбаңыз.
 - Құрылымы жақсы желдетілетін жерде пайдаланыңыз.
 - Табандық (6) орнына орнатылғандығына көз жеткізіңіз.
 - Грильді қолданар алдында оны ашып, жұмыс беттерін (7) өсімдік майымен сәл майлаңыз.
 - Қуаттандыру бауының ашасын электр розеткаға салыңыз, осы кезде индикатор (8) «ВКЛ» жанады.
 - Температура реттегішінің тұтқасын (2) «6» күйіне орнатыңыз.
 - Жұмыс режимдерін ауыстырғыш тұтқасын (11, 12) сағат тілі бойынша бұраңыз және «МАКС» күйіне орнатыңыз, бұл ретте жарық индикаторлары (9, 10) жанады.
 - **Ескертпелер:**
 - жұмыс режимдері ауыстырғышы тұтқасындағы (8) жарық индикаторы гриль қосылған кезде үнемі жанып тұрады;
 - жоғарғы жұмыс беті белгіленген температураға дейін жеткенде, «ВЕРХ» жарық индикаторы (9) сөнеді
 - төменгі жұмыс беті белгіленген температураға дейін жеткенде, жарық индикаторы (10) «НИЗ» сөнеді
 - индикатор (9, 10) мезгіл-мезгіл жанып сөніп тұрады, бұл жұмыс беттерінің (7) белгіленген температурасын ұстап тұрғандық белгісін білдіреді.
 - Шамамен 6-8 минуттан кейін грильді өшіріңіз, ол үшін жұмыс режимдері ауыстырғышының тұтқасын (11, 12) «ВКЛ» күйіне орнатыңыз, розеткадан қуаттандыру бауының ашасын суырыңыз, грильдің толық сууын күтіңіз, тұтқадан (3) ұстаңыз, грильді ашыңыз және өсімдік майының қалдықтарын жұмыс беттерінен (7) қағаз майлықпен жойыңыз.
 - Гриль пайдалануға дайын.

- **Ескертпелер:**

- құрылғыны алғашқы пайдаланған кезде қыздыру элементінен бөтен иісі және аздаған түтін шығуы мүмкін, бұл қалыпты жағдай және кепілдік оқиғасы болып табылмайды.

ГРИЛЬДЕ ӨНІМДЕРДІ ДАЙЫНДАУ

- **НАЗАР АУДАРЫҢЫЗ!**

- Жұмыс кезінде гриль корпусы қатты қызады, күйік алып қалмау үшін, «▲» таңбамен белгіленген, ыстық беттерге тиіспеңіз
- Жұмыс беттері арасындағы саңылаулардан будың шығуынан сақтаныңыз (7), жұмыс беттері арасындағы саңылауларға қолыңызды тақаманыз және дененің басқа ашық бөліктерін жақын ұстамаңыз (7).
- Грильді мұздатылған өнімдерді әзірлеу үшін қолданбаңыз.
- Ірі сүйектері бар еттерді әзірлемеңіз.
- Әзірлеу ұзақтығы пайдаланылатын өнімдерге байланысты болады.
- Әзірлеу алдында, табындық (6) орнына орнатылғанына көз жеткізіңіз.
- Гриль қосылғаннан кейін оны ашпаңыз, жабық жағдайда жұмыс беттері (7) жылдам және біркелкі қызады.
- Өнімдерді тамаққа тұтыну алдында, олардың толық қуырылғанына көз жеткізіңіз.

- Өнімдерді әзірлеп болғаннан кейін бірден шығарыңыз, өнімдер іске қосылған грильде ұзақ қалған жағдайда олардың жануы мүмкін.
- Дайындалған өнімдерді жұмыс беттерінің (8,9) күюге қарсы жабынын зақымдауы мүмкін металл заттармен шығаруға тыйым салынады, күюге қарсы жабындарға арналған ас үй аксессуарларын пайдаланыңыз.

- Қажетті өнімдерді дайындаңыз.
- Қуаттандыру бауының ашасын электр розеткаға салыңыз, осы кезде индикатор (8) «VKЛ» жанады.
 - Жоғарғы жұмыс бетінің температура реттегішінің тұтқасын (12) бұраңыз және қажетті жұмыс режимін орнатыңыз, осы ретте индикатор (9) «BEPX» жанады, индикатор (9) «BEPX» жоғарғы жұмыс бетінің температурасы белгіленген мәнге жеткенде сөнеді:
 - «BVKЛ» — гриль сөндірілген
 - «HИЗ» — жоғарғы жұмыс бетінің төмен қыздыру температурасы
 - «CPED» — жоғарғы жұмыс бетін қыздырудың орташа температурасы
 - «MAKС» — жоғарғы жұмыс бетін қыздырудың максималды температурасы 230 °C.
- Төменгі жұмыс бетінің температура реттегішінің тұтқасын (11) бұраңыз және қажетті жұмыс режимін орнатыңыз, осы ретте индикатор (10)

- «DOWN» жанады, индикатор (10) «НИЗ» жоғарғы жұмыс бетінің температурасы белгіленген мәнге жеткенде сөнеді:
- «ВКЛ» — гриль сөндірілген
 - «НИЗ» — жоғарғы жұмыс бетінің төмен қыздыру температурасы
 - «СРЕД» — жоғарғы жұмыс бетін қыздырудың орташа температурасы
 - «МАКС» — жоғарғы жұмыс бетін қыздырудың максималды температурасы 230 °С.
- Ескертпе: - құрылғыны жанаспалы гриль ретінде пайдаланған кезде 3-5 қыздыру/салқындату циклынан кейін жұмыс беттерінің температурасы тұрақтанады және 220 °С-дан 230 °С-ге дейін сақталып тұрады.
 - Жұмыс беттерінің (7) қызуын күтіңіз, индикатор (9, 10) сөнеді.
 - Тұтқадан (3) ұстаңыз және грильді ашыңыз.
 - Абайлап өнімдерді төменгі жұмыс бетіне салыңыз, өнімдерден шығатын сөлдің немесе майдың шашырауы мүмкіндігінен күйік алудан сақ болыңыз.
 - Тұтқадан (3) ұстаңыз, жоғарғы жұмыс бетін өнімдерге түсіріңіз.
- Ескертпе:** дайындалатын өнімдердің қалыңдығына байланысты, Сіз жұмыс беттері (7) арасындағы саңылауды реттей аласыз, ол үшін бекітпе тұтқасын (5) «Low–High» қажетті күйіне жылжытыңыз.

- Өнімдер даярланған соң, тұтқадан (3) ұстаңыз және жоғарғы жұмыс бетін көтеріңіз.
- Дайындалған өнімдерді ағаш немесе ас үйлік термотөзімді пластмасса аксессуарларын қолданып, ыңғайлы ыдысқа салыңыз.
- Грильді өшіру үшін, жұмыс режимдері ауыстырғышының тұтқасын (11, 12) бұраңыз және оны «ВЫКЛ» күйіне орнатыңыз, жарық индикаторлары (9, 10) өшеді, розеткадан қуаттандыру бауының ашасын суырыңыз.

Грильді қуыру беті ретінде пайдалану (сур. 1)

- Сіз грильді ашық қуыратын бет ретінде пайдалана аласыз.
- Розеткаға қуаттандыру бауының ашасын салар алдында грильді ашыңыз, ол үшін тұтқадан (3) ұстаңыз, грильдің (7) жоғарғы бөлігін көтеріңіз.
- Батырмаға (4) «180°» басыңыз және грильді толығымен ашыңыз.
- Жұмыс беттерін (5, 6) қажетті жағымен (гриль/тегіс бет) орнатыңыз.
- Қуаттандыру бауының ашасын электр розеткаға салыңыз, осы кезде индикатор (8) «ВКЛ» жанады.
- Температура реттегішінің тұтқасын (2) қажетті күйіне «1---6» орнатыңыз.
- Тұтқаларды (11, 12) бұру арқылы, сіз жұмыс беттерінің қажетті қыздыру температурасын (7) орната аласыз, осы ретте (9) «ВЕРХ» және (10) «НИЗ» индикаторлары жанады.

- Жұмыс беттерінің (7) қызуын күтіңіз, индикатор (9, 10) сөнеді.
- Абайлап өнімдерді жұмыс беттеріне салыңыз, өнімдерден бөлінетін сәлдің немесе майдың шашыруы мүмкіндігінен күйік алудан сақ болыңыз.
- Дайындалған өнімдерді ағаш немесе ас үйлік термотөзімді пластмасса аксессуарларын қолданып, ыңғайлы ыдысқа салыңыз.
- Грильді өшіру үшін, жұмыс режимдері ауыстырғышы тұтқасын (11, 12) бұраңыз және оны «ВЫКЛ» күйіне орнатыңыз, жарық индикаторлары (9, 10) өшеді, розеткадан қуаттандыру бауының ашасын суырыңыз.
- Грильдің толық сууын күтіңіз, батырмаға (4) «180°» басыңыз және грильдің жоғарғы және төменгі бөліктерінде бірге қосыңыз.
- Грильдің төменгі және жоғарғы бөліктерін бекіту үшін бекітпе тұтқасын (5) «Lock» күйіне қойыңыз.
- Тұтқадан (3) ұстаңыз және грильді ашыңыз.
- Жоғарғы жұмыс бетін шешіп алыңыз, ол үшін бүйірдегі бекітпеге (2) «RELEASE» басыңыз.
- Төменгі жұмыс бетін шешіп алыңыз, ол үшін бекітпеге (1) «RELEASE» басыңыз.
- Табандықты (2) шығарыңыз және одан сұйықтықты төгіңіз.
- Жұмыс бетін (7) және табандықты (6) жылы сумен бейтарап жуу құралын пайдаланып жуыңыз, шайыңыз, содан кейін құрғатып сүртіңіз.
- Беттерді (7) орнатыңыз, ол үшін корпуста шығыңқы жерлерді және беттердің төменгі жағындағы ойықтарды (7) сәйкестендіріңіз, содан кейін жоғарғы бетін көтеріңіз және бекітпелер (1, 2) «RELEASE» іске қосылғанға дейін төменгі бетті түсіріңіз, беттердің (7) бекітілгеніне көз жеткізіңіз.
- Жұмыс беттерін (7) және гриль корпусын тазалау үшін металл жөкелерді, абразивті тазалағыш құралдарды немесе еріткіштерді пайдалануға тыйым салынады.
- Грильді, қуаттандыру бауын және желілік бауының ашасын суға немесе кез-келген басқа сұйықтықтарға салмаңыз.

ТАЗАЛАУ ЖӘНЕ КҮТІМ

- Грильді әрбір қолданғаннан кейін грильдің жұмыс беттерін (7) тазалап отырыңыз.
- Грильді өшіріңіз, ол үшін жұмыс режимдері ауыстырғышы тұтқасын (11, 12) «ВЫКЛ» күйіне орнатыңыз, розеткадан қуаттандыру бауының ашасын суырыңыз, грильдің толық сууын күтіңіз.
- Гриль корпусын сәл дымқыл жұмсақ матамен сүртіп, содан кейін құрғатып сүртіңіз.

САҚТАЛУЫ

- Грильді сақтауға алып қоярдың алдында жұмыс беттерін (7) және гриль корпусын тазалаңыз.

- Грильдің төменгі және жоғарғы бөліктерін бірге қосыңыз, ол үшін бекітпе тұтқасын (5) «Lock» күйіне қойыңыз.
- Жиналған күйінде, грильді тігінен сақтауға болады.
- Құрылғыны құрғақ салқын, балалардың және мүмкіндіктері шектеулі адамдардың қолы жетпейтін жерде сақтаңыз.

ЖИЫНАҚТАЛЫМЫ

1. Гриль — 1 дн.
2. Жұмыс беттері — 2 дн.
3. Табандық — 1 дн.
4. Нұсқаулық — 1 дн.

ТЕХНИКАЛЫҚ СИПАТТАМАЛАРЫ

- Электр қуаттандыруы 220-240 В, ~ 50Гц
- Номиналды тұтыну қуаты: 2000 Вт

ПАЙДАҒА АСЫРУ



Қалдықтардың бақыланбай пайдаға асыруынан қоршаған ортаға немесе адамдардың денсаулығына зиян келтірмеу үшін, құралдың немесе қуаттандыру элементтерінің (егер жинақталымға кірсе) қызмет ету мерзімі аяқталғаннан

кейін оларды әдеттегі тұрмыстық қалдықтармен бірге тастамаңыз, аспапты және қуаттандыру элемент-

терін одан әрі пайдаға асыру үшін арнайы пункттерге жіберіңіз.

Бұйымдарды пайдаға асыру кезінде пайда болатын қалдықтар белгіленген тәртіп бойынша келесі пайдаға асырылатын тәртіппен міндетті түрде жинауға жатады.

Берілген өнімді пайдаға асыру туралы қосымша ақпаратты алу үшін жергілікті муниципалитетке, тұрмыстық қалдықтарды пайдаға асыру қызметіне немесе берілген өнімді сатып алған дүкенге хабарласыңыз.

Өндіруші алдын-ала ескертусіз, құрылғының дизайнын, конструкциясы мен оның жалпы жұмыс ұстанымдарына әсер етпейтін техникалық сипаттамаларын өзгерту құқығын өзіне қалдырады.

Құрылғының қызмет көрсету мерзімі — 3 жыл

Өндірілген күні сериялық нөмірде көрсетілген.

Қандай да бір ақаулықтар табылған жағдайда дереу авторландырылған сервистік орталыққа жүгіну керек.



Hergestellt für «Ruste GmbH»,
Berggasse 18/18, 1090 Wien,
Österreich

Produced for «Ruste GmbH»,
Berggasse 18/18, 1090 Vienna, Austria

Изготовлено по заказу Русте Гмбх,
Бергассе 18/18, 1090 Вена, Австрия

Уполномоченное изготовителем
лицо: ООО «Грантэл»
143912, МО, г. Балашиха,
ш. Энтузиастов, вл. 1А
т.: +7 (495) 297-50-20,
e-mail: info@brayer.su

Made in China/Произведено в Китае

brayer.ru

