

Instruction manual
Инструкция по эксплуатации

Mixer BR1304
Миксер BR1304



СОДЕРЖАНИЕ

EN.....	3
DE.....	8
RU.....	14
KZ.....	20

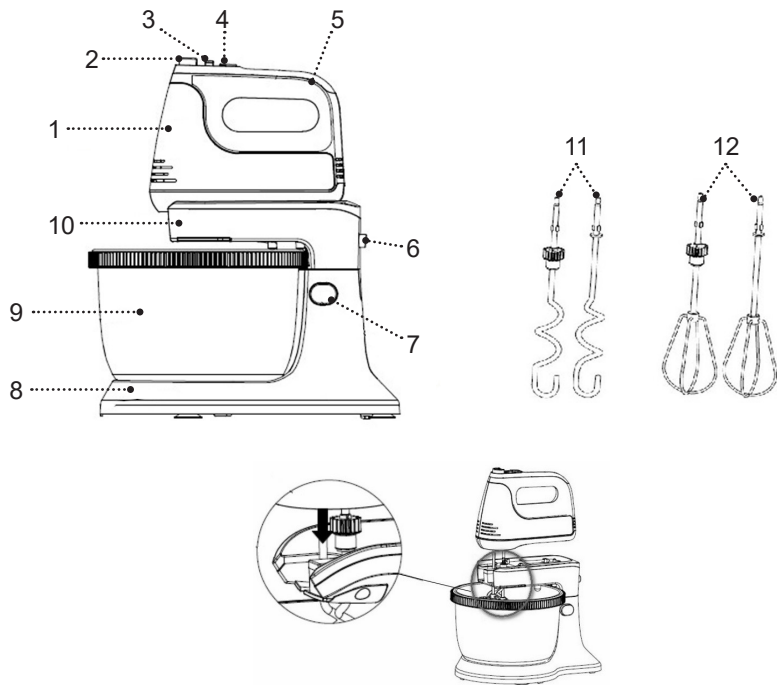
MIXER BR1304

The stand mixer is designed for cooking by mixing ingredients until a homogeneous mass is obtained.

The motor unit of the mixer is removable, and it can be used as a regular handheld mixer.

DESCRIPTION

1. Body of the handheld mixer
2. Attachment release button
3. Operation mode switch
4. Maximal speed button «TURBO»
5. Handle of the handheld mixer
6. Handheld mixer lock button
7. Release button for the handheld mixer mounting bracket
8. Base
9. Mixer bowl
10. Handheld mixer mounting bracket
11. Dough hooks
12. Beaters



Pic. 1

SAFETY MEASURES AND OPERATION RECOMMENDATIONS

Read the operation manual carefully before using the mixer; after reading, keep it for future reference.

- Use the unit for its intended purpose only, as it is stated in this manual.
- Mishandling the mixer can lead to its breakage and cause harm to the user or damage to his/her property and it is not covered by warranty.
- Make sure that the operating voltage of the unit indicated on the label corresponds to your home mains voltage.
- Place the mixer base on a dry, flat and stable surface.
- Place the food in the mixer bowl before turning on the device.
- Monitor the level of ingredients placed in the bowl, do not overfill the mixer bowl with food.
- To remove the ingredients from the mixer bowl, turn off the mixer, unplug the power cord from the power outlet, lift the bracket with the handheld mixer, remove the bowl and then take the ingredients out it.

ATTENTION! The continuous operation time of the stand mixer should not exceed 10 minutes, the operation time of the handheld mixer should not exceed 5 minutes. Make at least a 20-minute break between operation cycles.

- Do not use the unit outdoors.
- It is recommended not to use the unit during lightning storms.
- Protect the unit from impacts, falling, vibrations and other mechanical stress.
- Do not block the ventilation openings on the unit body during the mixer operation; this may lead to the electric motor overheating.
- Never leave the unit connected to the mains unattended.
- Do not use the unit near heating appliances, heat sources or open flame.
- Do not use the unit in places where aerosols are used or sprayed, and in proximity to inflammable liquids.
- Do not immerse the mixer body, base, power cord or plug of the power cord in water or any other liquids.
- Do not use the unit in proximity to the kitchen sink, in bathrooms, near swimming pools or other containers filled with water.
- If the unit is dropped into water, unplug it immediately, and only then you can take the unit out of water. Apply to the authorized service center for testing or repairing the unit.
- Do not let the power cord touch hot surfaces and sharp edges of furniture.
- Unplug the unit after usage or before cleaning. When unplugging the unit, hold the power plug and carefully remove it from the mains socket, do not pull the power cord, as this can lead to its damage and cause a short circuit.

- Do not touch the unit body, the power cord and the power plug with wet hands.
 - Before using the unit for the first time, thoroughly wash the removable attachments and beaters that will contact food.
 - Use only the dough hooks and beaters supplied with the unit.
 - Do not touch rotating dough hooks and beaters. Do not let hair or free hanging clothes get into the rotation area of the dough hooks or beaters.
 - Before using the unit, make sure that the dough hooks or the beaters are installed properly and fixed.
 - Do not use the mixer to mix hard ingredients, such as cold butter or frozen dough.
 - Do not install and use the beater and the dough hook at the same time.
 - Do not remove or install the dough hooks or the beaters during the mixer operation.
 - Regularly clean the mixer body and the attachments.
 - For children safety reasons do not leave polyethylene bags used as a packaging unattended.
- ATTENTION!** Do not allow children to play with polyethylene bags or packaging film. **Danger of suffocation!**
- The unit is not intended for usage by children.
 - Do not leave children unattended to prevent using the unit as a toy.
- Do not allow children to touch the body of the device, the power cord or the plug of the power cord while the device is operating.
 - Be especially careful if children or disabled persons are near the operating unit.
 - During the unit operation and breaks between operation cycles, place the unit out of reach of children.
 - The device is not intended to be used by physically, sensory, psychologically or mentally handicapped people (including children), or when they lack experience or knowledge if they are not under supervision of a person who is responsible for their safety or if they are not instructed by this person on the usage of the unit.
 - Before using the mixer check the power cord integrity. If the power cord is damaged, it should be replaced by the manufacturer, a maintenance service or similar qualified personnel to avoid danger.
 - Do not repair the unit by yourself. Do not disassemble the unit by yourself, if any malfunction is detected, and after the unit was dropped, unplug it and apply to the service center.
 - To avoid damages, transport the unit in the original package.
 - Keep the unit in a dry cool place out of reach of children and disabled persons.

THE UNIT IS INTENDED FOR HOUSEHOLD USE ONLY, DO NOT USE THE UNIT FOR COMMERCIAL OR LABORATORY PURPOSES.

BEFORE THE FIRST USE

After the unit's transportation or storage at negative temperature, unpack it and wait for at least 3 hours before using it.

- Unpack the unit and remove all the packaging materials.
- Keep the original package.
- Read the safety measures and operating recommendations.
- Check the delivery set.
- Examine the unit for damages, in case of damage do not plug it into the mains.
- Make sure that the indicated specifications of the power supply voltage of the unit correspond to the specifications of your mains. When the unit is used in the mains with 60 Hz frequency, no additional actions are required.
- Wash the dough hooks (11) and the mixing/whipping beaters (12), bowl (9) with warm water and neutral detergent, rinse them and dry.
- Wipe the body of the handheld mixer (1) and the base (8) with a soft, slightly damp cloth, then wipe dry.

COOKING TIPS

- Cooled ingredients such as butter, eggs, etc. should be heated to room temperature before mixing.
- To avoid shell particles or spoiled eggs in your recipe, first break the eggs into a separate container, and then add them to the mixer bowl.

- Always start mixing ingredients at low speeds and gradually increase the rotation speed of the attachments.
- If you need to add hot liquid, add it little by little to prevent sudden heating of the main ingredients.
- If the ingredients are not mixed enough during operation, turn off the mixer, slide the ingredients to the middle of the bowl with a kitchen spatula, and turn on the mixer to continue working.
- If there is a small amount of ingredients in the mixer bowl, it is recommended to mix them with the handheld mixer.
- If any foreign object falls into the bowl while the mixer is operating, immediately set the operating mode switch to the «0» position, and then remove the foreign object from the mixer bowl.
- To simplify the cleaning of the attachments, immediately after removing them, rinse the attachments with warm water.

USING THE HANDHELD MIXER

ATTENTION! The continuous operation time of the handheld mixer (1) should not exceed 5 minutes. Make at least a 20-minute break between operation cycles.

Dough hooks (11)

- Use the hooks (11) for kneading yeasted dough, mixing minced meat etc.

Note: insert the dough hooks (11) into the corresponding installation openings.

Beaters (12)

- Use the beaters (12) for beating cream and egg white, making biscuit dough, puddings, cocktails, cream, mayonnaise, puree and sauces and for mixing liquid products.

Note: you can install the beaters (12) into any installation openings (3).

- Make sure that the operation mode switch (3) is set to the position «0», and the power plug is not inserted into the mains socket.
- Insert the dough hooks (11) or the beaters (12) into the appropriate holes for installing the attachments until they click. Both attachments should be fixed in the mixer holes.

Note: do not install and use the dough hook (11) and the beater (12) at the same time.

- Hold the handheld mixer (1) by the handle (5).
- Insert the power plug into the mains socket.
- After lowering the attachments into the container with the ingredients (you can use the bowl (9)), turn on the mixer with the operating mode switch (3) and select the desired speed of rotation of the attachments «1, 2, 3, 4, 5».
 - «0» – the mixer is off.
 - «1» - optimal speed for mixing dry and granular products, such as flour.
 - «2» – optimal speed for mixing liquids and salad dressings.
 - «3» – optimal speed for making cakes or cookie dough.

- «4» – optimal speed for beating cream, making desserts etc.
- «5» – optimal speed for beating eggs, crème, making sugar frosting, cocktails, making potato mash etc.

- If you press and hold down the button (4) «TURBO», the mixer will operate at maximum rotation speed.
- During operation, do not close the ventilation holes on the body of the handheld mixer (1), this may cause the electric motor to overheat.
- After the unit operation, set the operation mode switch (3) to the position «0», and unplug the unit.
- Holding the hooks (11) or the beaters (12), press the release button (2) and remove the attachments.

Note: you can remove the attachments only when the operation mode switch (3) is set to the position «0».

- Rinse the attachments (11 or 12) with warm water and a neutral detergent, rinse them and dry.
- Wipe the body of the handheld mixer (1) with a soft, slightly damp cloth, then wipe it dry.

STAND MIXER

ATTENTION! The continuous operation time of the stand mixer should not exceed 10 minutes. Make at least a 20-minute break between operation cycles.

- Place the mixer base (8) on a dry, flat and stable surface.
- Make sure that the operating mode switch (3) is set to the «0» position and the power cord is not plugged into a power outlet.

- Insert the dough hooks (11) or the beaters (12) into the appropriate holes of the handheld mixer (1) until they click. Both attachments should be fixed in the holes of the handheld mixer.
- Press the button (7) and lift the bracket (10) until it locks in the upper position.
- Install the handheld mixer (1) on the bracket (10), aligning the installation location of the lower part of the handheld mixer (1) with the locks on the bracket (10), press the handle of the mixer (5) to activate the lock. Make sure that the handheld mixer (1) is securely fixed (Fig. 1).
- Place the food bowl (9) on the base (8). The number of ingredients placed in the bowl (9) should not exceed 1.5 kg.
- Press the button (7) and lower the bracket (10) until it locks in the lower position.
- Plug the power cord into the power outlet.
- Turn on the mixer with the operating mode switch (3) and select the desired speed of rotation of the attachments «1, 2, 3, 4, 5».
- When pressing and holding the «TURBO» button (4), the mixer will turn on at maximum speed.
- Do not touch the rotating parts of the device while the mixer is operating. Do not allow hair or loose-hanging items of clothing to get into the rotation zone of the attachments (11 or 12).
- Do not allow foreign objects to enter the bowl (9).
- Do not close the ventilation holes on the hand mixer body (1), this may cause the electric motor to overheat.

Note: while kneading the dough, part of the flour may stick to the inner surface of the bowl (9), in this case, turn off the mixer by setting the operating mode switch (3) to the «0» position, unplug the power cord from the power outlet, scrape the flour from the inner surface of the bowl (9) with a plastic spatula, and after that, continue kneading the dough.

- After the operation is finished, set the operating mode switch (3) to the «0» position and unplug the power cord from the power outlet.
- Press the button (7) and lift the bracket (10) with the hand mixer (1) installed until it locks in the upper position.
- Grasp the handle of the mixer (5) press and hold the lock button (6), remove the handheld mixer (1) from the bracket (10) in the upward direction.
- While holding the attachments (11) or the beaters (12), press the button (2) and disconnect the attachments.

Note: the attachments can only be disconnected if the operating mode switch (3) is set to the «0» position.

- Remove the bowl (9) and take the products out of it.
- Clean the used attachments (11 or 12) and the mixer bowl (9).

CLEANING AND MAINTENANCE

- Turn off the device and unplug the power cord from the power outlet.

- Holding the hooks (11) or the beaters (12), press the button (6) and remove the attachments.
- Wash the attachments (11 or 12) with warm water and neutral detergent and then dry them.
- Rinse the bowl (9) with warm water and neutral detergent, then dry.
- Wipe the body of the handheld mixer (1) and the base (8) with a soft, slightly damp cloth, then wipe them dry. Do not allow water to enter the body of the handheld mixer (1).
- Do not immerse the mixer body (1), the base (8), the power cord and the plug of the power cord in water or any other liquids.
- Do not use metal sponges, abrasives and solvents to clean the unit and the attachments.

STORAGE

- Clean the unit before taking it away for storage.
- Do not wind the power cord around the mixer body.
- Keep the unit in a dry cool place out of reach of children and disabled persons.

DELIVERY SET

1. Mixer – 1 pc.
2. Dough hooks – 2 pcs.
3. Beaters – 2 pcs.
4. Mixer bowl - 1 pc.
5. Base - 1 pc.
6. Manual – 1 pc.

TECHNICAL SPECIFICATIONS

- Power supply: 220-240 V ~ 50/60 Hz
- Rated input power: 500 W

RECYCLING



To prevent possible damage to the environment or harm to the health of people by uncontrolled waste disposal, after expiration of the service life of the unit or the batteries (if included), do not discard them with usual household waste, but take the unit and the batteries to specialized stations for further recycling.

The waste generated during the disposal of the unit is subject to mandatory collection and consequent disposal in the prescribed manner.

For further information about recycling of this product apply to a local municipal administration, a disposal service or to the shop where you purchased this product.

The manufacturer reserves the right to change the appearance, design and specifications not affecting general operation principles of the unit, without prior notice.

The unit operating life is 3 years

The manufacturing date is specified in the serial number.

In case of any malfunctions promptly apply to the authorized service center.

MIXER BR1304

Das Standrührgerät ist zur Speisezubereitung durch Verrühren von Zutaten zu einer homogenen Masse bestimmt.

Die Motoreinheit des Rührgeräts ist abnehmbar und kann als normaler Handmixer verwendet werden.

DESCRIPTION

1. Gehäuse des Handmixers
2. Rührelement-Ejecttaste
3. Betriebsschalter
4. Maximalgeschwindigkeit-Einschalttaste «TURBO»
5. Griff des Handmixers
6. Handmixer-Verriegelungstaste
7. Entriegelungstaste für die Handmixerhalterung
8. Sockel
9. Schüssel des Rührgeräts
10. Handmixerhalterung
11. Anteigaufsätze
12. Mix-/Schlagbesen

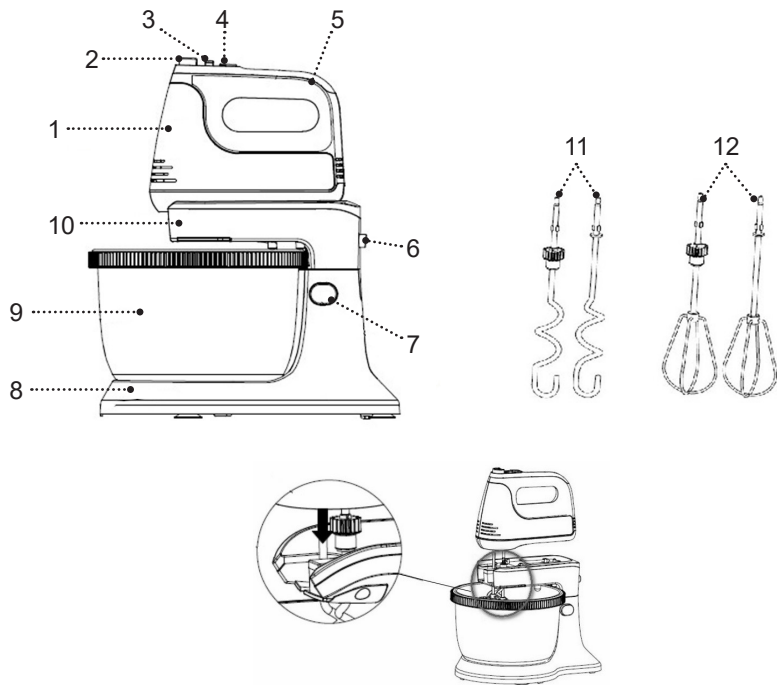


Abb. 1

SICHERHEITSHINWEISE UND GEBRAUCHSANLEITUNG

Bevor Sie den Mixer benutzen, lesen Sie die Bedienungsanleitung aufmerksam durch und bewahren Sie sie zum späteren Gebrauch auf.

- Benutzen Sie das Gerät nur bestimmungsmäßig und laut dieser Bedienungsanleitung.
- Der Missbrauch des Mixers kann zu seiner Störung führen, den Benutzer oder sein Eigentum beschädigen und ist kein Garantiefall.
- Vergewissern Sie sich, dass die auf dem Bezeichnungszettel angegebene Betriebsspannung und die Netzspannung übereinstimmen.
- Stellen Sie den Sockel des Rührgeräts auf eine trockene, ebene und standfeste Fläche auf.
- Die Lebensmittel sind in die Schüssel des Rührgeräts vor dem Einschalten des Geräts zu legen.
- Achten Sie auf den Füllstand der Zutaten in der Schüssel, die Schüssel darf nicht mit Lebensmitteln überfüllt werden.
- Um die Zutaten aus der Schüssel des Rührgeräts zu entnehmen, bitte das Rührgerät ausschalten, den Netzstecker aus der Steckdose ziehen, die Halterung mit dem Handmixer nach oben klappen, die Schüssel entnehmen und anschließend Zutaten daraus entnehmen.

ACHTUNG! Die Dauerbetriebszeit des Standrührgeräts darf höchstens 10 Minuten betragen, die Betriebszeit des Handmixers darf höchstens 5 Minuten betragen.

Machen Sie zwischen den Betriebszyklen Pausen von mindestens 20 Minuten.

- Es ist nicht gestattet, das Gerät draußen zu benutzen.
- Es ist nicht empfohlen, das Gerät bei Gewitter zu benutzen.
- Schützen Sie das Gerät vor Stößen, Stürzen, Vibrationen und anderen mechanischen Einwirkungen.
- Sperren Sie die Lüftungsöffnungen am Gerätegehäuse während des Mixerbetriebs nicht ab, das kann zur Überhitzung des Elektromotors führen.
- Lassen Sie das ans Stromnetz angeschlossene Gerät nie unbeaufsichtigt.
- Benutzen Sie das Gerät in direkter Nähe von Heizgeräten, Wärmequellen oder offenem Feuer nicht.
- Es ist verboten, das Gerät an den Orten, wo Sprays verwendet werden, sowie in der Nähe von leichtentzündbaren Flüssigkeiten zu benutzen.
- Das Gehäuse des Rührgeräts, der Sockel, das Netzkabel oder der Netzstecker dürfen nicht ins Wasser oder jegliche anderen Flüssigkeiten eingetaucht werden.
- Benutzen Sie das Gerät in der Nähe von Spülbecken, in Badezimmern und neben den Wasserbecken oder anderen mit Wasser gefüllten Behältern nicht.
- Falls das Gerät ins Wasser gefallen ist, ziehen Sie den Netzstecker aus der Steckdose sofort heraus, erst danach holen Sie das Gerät aus dem Wasser heraus. Wenden Sie sich an einen autorisierten Kundendienst, um das Gerät prüfen oder reparieren zu lassen.

- Achten Sie darauf, dass das Netzkabel heiße Oberflächen und scharfe Möbelkanten nicht berührt.
- Trennen Sie das Gerät nach dem Gebrauch oder vor der Reinigung vom Stromnetz ab. Wenn Sie das Gerät vom Stromnetz abtrennen, halten Sie den Netzstecker fest und ziehen Sie ihn aus der Steckdose vorsichtig heraus; ziehen Sie das Netzkabel nicht, da es zu seiner Beschädigung und einem Kurzschluss führen kann.
- Berühren Sie das Gerätegehäuse, das Netzkabel und den Netzstecker mit nassen Händen nicht.
- Vor der ersten Gerätenutzung spülen Sie alle mit den Nahrungsmitteln zu kontaktierenden abnehmbaren Aufsätze und Besen sorgfältig durch.
- Benutzen Sie nur die mitgelieferten Aufsätze und Besen.
- Berühren Sie keine drehenden Aufsätze und Besen. Halten Sie Haar oder frei hängende Kleiderstücke vom Drehbereich der Aufsätze oder Besen fern.
- Vergewissern Sie sich vor der Gerätenutzung, dass die Aufsätze oder Besen richtig aufgestellt und befestigt sind.
- Mixen Sie keine festen Zutaten, wie gekühlte Butter oder gefrorener Teig, mit dem Mixer.
- Es ist nicht gestattet, den Mix-/Schlagbesen und den Anteilgaufsatz aufzustellen und gleichzeitig zu benutzen.
- Es ist nicht gestattet, die Aufsätze oder die Besen während des Mixerbetriebs aufzustellen oder abzunehmen.
- Reinigen Sie das Mixergehäuse und die Aufsätze regelmäßig.
- Aus Kindersicherheitsgründen lassen Sie Plastiktüten, die als Verpackung verwendet werden, nie ohne Aufsicht.

Achtung! Lassen Sie Kinder mit Plastiktüten oder Verpackungsfolien nicht spielen. **Erstickungsgefahr!**

- Das Gerät ist nicht für Kinder bestimmt.
- Beaufsichtigen Sie Kinder, damit sie das Gerät als Spielzeug nicht benutzen.
- Kinder dürfen das Gerätegehäuse, das Netzkabel oder den Netzstecker während des Gerätebetriebs nicht berühren.
- Besondere Vorsichtsmaßnahmen sind in den Fällen angesagt, wenn sich Kinder oder behinderte Personen während des Gerätebetriebs in der Nähe aufhalten.
- Während des Betriebs und der Pausen zwischen den Betriebszyklen stellen Sie das Gerät an einen für Kinder unzugänglichen Ort auf.
- Das Gerät darf nicht von Personen (einschließlich Kinder) mit eingeschränkten körperlichen, sensorischen, psychischen oder geistigen Fähigkeiten oder mit mangelnder Erfahrung oder Kenntnissen verwendet werden, es sei denn, sie werden beaufsichtigt oder sind von einer für ihre Sicherheit zuständigen Person über die Verwendung des Geräts unterrichtet worden.
- Überprüfen Sie die Unversehrtheit des Netzkabels, bevor Sie den Mixer verwenden. Wenn das Netzkabel beschädigt ist, soll es vom Hersteller, vom

- Kundendienst oder von ähnlich qualifiziertem Personal ersetzt werden, um Gefahren zu vermeiden.
- Es ist nicht gestattet, das Gerät selbständig zu reparieren. Es ist nicht gestattet, das Gerät selbständig auseinanderzunehmen; bei der Feststellung jeglicher Beschädigungen, sowie im Sturzfall, trennen Sie das Gerät vom Stromnetz ab und wenden Sie sich an einen Kundendienst.
 - Um Beschädigungen zu vermeiden, transportieren Sie das Gerät nur in der Fabrikverpackung.
 - Bewahren Sie das Gerät an einem trockenen, kühlen und für Kinder und behinderte Personen unzugänglichen Ort auf.

DAS GERÄT IST NUR FÜR DEN GEBRAUCH IM HAUSHALT GEEIGNET, ES IST VERBOTEN, DAS GERÄT ZU GESCHÄFTS- ODER LABORZWECKEN ZU BENUTZEN.

VOR DER ERSTEN NUTZUNG

Packen Sie das Gerät aus und warten Sie mindestens 3 Stunden, bevor Sie es bei einer negativen Temperatur transportieren oder bewahren.

- Packen Sie das Gerät aus und entfernen Sie alle Verpackungsmaterialien.
- Bewahren Sie die Originalverpackung auf.
- Lesen Sie die Sicherheitsmaßnahmen und Bedienungsempfehlungen.
- Prüfen Sie die Komplettheit.

- Prüfen Sie das Gerät auf Beschädigungen; wenn es beschädigt ist, schließen Sie es ans Stromnetz nicht an.
- Vergewissern Sie sich, dass die angegebenen Parameter der Geräteversorgungsspannung und die Stromnetzparameter übereinstimmen. Beim 60-Hz-Stromnetz-Gerätebetrieb sind keine zusätzlichen Maßnahmen erforderlich.
- Waschen Sie die Knethaken (11), die Rühr-/Schlagbesen (12) und die Schüssel (9) mit Warmwasser und einem neutralen Waschmittel, spülen und trocknen Sie sie ab.
- Wischen Sie das Handmixergehäuse (1) und den Sockel (8) mit einem weichen, leicht angefeuchteten Tuch ab, danach trocknen Sie sie ab.

KÜCHENHINWEISE

- Abgekühlte Zutaten wie Butter, Eier usw. sind vor dem Verrühren auf Raumtemperatur zu erwärmen.
- Damit keine Schalenteile oder faule Eier in Ihre Speise geraten, sind Eier zuerst in einen separaten Behälter aufzuschlagen und dann in die Schüssel des Rührgeräts zuzugeben.
- Die Zutaten sind immer zunächst mit niedriger Geschwindigkeit zu verrühren, und dann ist die Drehgeschwindigkeit der Rührelemente allmählich zu erhöhen.
- Wenn heiße Flüssigkeit zugegeben werden muss, ist diese nach und nach zuzugeben, damit die Hauptzutaten nicht schlagartig aufgeheizt werden.
- Falls die Zutaten beim Betrieb nicht ausreichend verrührt sind, bitte das Rührgerät ausschalten, die Zutaten mit einem Küchenspatel in die Schüsselmitte schieben,

das Rührgerät wieder einschalten und den Betrieb fortsetzen.

- Wenn die Zutatenmenge in der Schüssel des Rührgeräts eher klein ist, ist es sinnvoll, diese mit dem Handmixer zu verrühren.
- Wenn irgendein Fremdgegenstand während des Rührgerätebetriebs in die Schüssel fällt, bitte sofort den Betriebsschalter in die Position «0» stellen und dann den Fremdgegenstand aus der Schüssel des Rührgeräts entnehmen.
- Zur einfacheren Reinigung der Rührelemente spülen Sie diese gleich nach dem Entnehmen mit Warmwasser.

HANDMIXER BENUTZEN

ACHTUNG! Die Dauerbetriebszeit des Handmixers (1) darf höchstens 5 Minuten betragen. Machen Sie zwischen den Betriebszyklen Pausen von mindestens 20 Minuten.

Anteigaufsätze (11)

Benutzen Sie die Anteigaufsätze (11) von Hefenteig, Durchmischen von Füllsel usw.

Anmerkung: Setzen Sie die Anteigaufsätze (11) in die entsprechenden Aufsatzauftstelllöcher ein.

Mix-/Schlagbesen (12)

Benutzen Sie die Besen (12) zum Schlagen von Sahne und Eiweiß, zur Zubereitung von Biskuitteig, Puddings, Cocktails, Creme, Majonäse, Püree, Soßen, sowie zum Durchmischen flüssiger Nahrungsmittel.

Anmerkung: Stecken Sie die Rühr-/Schlagbesen (12) in entsprechende Öffnungen für die Rührelemente ein.

- Vergewissern Sie sich, dass der Betriebsschalter (3) in der Position «0» ist und der Netzstecker in die Steckdose nicht eingesteckt ist.
- Stecken Sie die Knethaken (11) oder Besen (12) in entsprechende Öffnungen für die Rührelemente bis zum Klicken ein. Beide Rührelemente müssen in den Mixeröffnungen einrasten.

Anmerkung: es ist verboten, den Anteilaufsatz (1) und den Mix-Schlagbesen (2) zusammen aufzustellen und gleichzeitig zu verwenden.

- Halten Sie den Handmixer (1) am Griff (5).
- Stecken Sie den Netzstecker in die Steckdose ein.
- Nachdem Sie die Rührelemente in den Behälter mit Zutaten (die Schüssel (9) darf verwendet werden), getaucht haben, schalten Sie das Rührgerät mit dem Betriebsschalter (3) ein und wählen Sie die gewünschte Drehgeschwindigkeit der Rührelemente «1, 2, 3, 4, 5» aus.
 - «0» – der Mixer ist ausgeschaltet;
 - «1» – Optimalgeschwindigkeit zum Mixen von trockenen und rieselfähigen Nahrungsmitteln, wie Mehl;
 - «2» – Optimalgeschwindigkeit zum Mixen von Flüssigkeiten und Salatensoßen;
 - «3» – Optimalgeschwindigkeit zur Torten- und Gebäckteigzubereitung;
 - «4» – Optimalgeschwindigkeit zum Cremeschlagen, Dessertzubereitung usw.;

- «5» – Optimalgeschwindigkeit zum Eier- und Cremeschlagen, Zuckerglasur-, Cocktail-Kartoffelpüreezubereitung usw.
- Beim Drücken und Halten der Taste (4) «TURBO» schaltet sich der Mixer mit der Maximalgeschwindigkeit ein.
- Sperren Sie die Lüftungsöffnungen am Handmixergehäuse (1) während des Betriebs nicht ab, sonst kann das zur Überhitzung des Elektromotors führen.
- Nach dem Betrieb stellen Sie den Betriebsschalter (3) in die Position «0» ein und ziehen Sie den Netzstecker aus der Steckdose heraus.
- – Indem Sie die Aufsätze (11) oder die Besen (12) halten, drücken Sie die Taste (2) und trennen Sie die Aufsätze ab.

Anmerkung: Die Aufsätze können nur dann abgetrennt werden, wenn der Betriebsschalter (3) auf „0“ eingestellt ist.

- Waschen Sie die Rührerlemente (11 oder 12) mit Warmwasser und einem neutralen Waschmittel, spülen und trocknen Sie sie ab.
- Wischen Sie das Handmixergehäuse (1) mit einem weichen, leicht angefeuchteten Tuch ab, danach trocknen Sie es ab.

STANDRÜHRGERÄT

ACHTUNG! Die Dauerbetriebszeit des Standrührgeräts darf höchstens 10 Minuten betragen. Machen Sie

zwischen den Betriebszyklen Pausen von mindestens 20 Minuten.

- Stellen Sie den Sockel des Rührgeräts (8) auf eine trockene, ebene und standfeste Fläche auf.
- Vergewissern Sie sich, dass der Betriebsschalter (3) in der Position «0» ist und der Netzstecker nicht in die Steckdose eingesteckt ist.
- Setzen Sie die Knethaken (11) oder die Besen (12) in die entsprechenden Öffnungen des Handmixers (1) bis zum Klicken ein. Beide Rührerlemente müssen in den Handmixeröffnungen einrasten.
- Drücken Sie die Taste (7) und klappen Sie die Halterung (10) nach oben, bis sie in der oberen Lage einrastet.
- Stellen Sie den Handmixer (1) auf die Halterung auf (10), dabei muss die Aufnahme des unteren Teils des Handmixers (1) mit den Verriegelungen auf der Halterung (10) zusammenpassen, dann drücken Sie auf den Handmixergriff (5), damit die Verriegelung funktioniert. Vergewissern Sie sich, dass der Handmixer (1) sicher eingerastet ist (Bild 1).
- Stellen Sie die Schüssel (9) mit den Nahrungsmitteln auf den Sockel (8). Die Zutatenmenge in der Schüssel (9) darf höchstens 1,5 kg betragen.
- Drücken Sie die Taste (7) und klappen Sie die Halterung (10) nach unten, bis sie in der unteren Lage einrastet.
- Stecken Sie den Netzstecker in eine Steckdose ein.
- Schalten Sie das Rührgerät mit dem Betriebsschalter (3) ein und wählen Sie die gewünschte Drehgeschwindigkeit der Rührerlemente «1, 2, 3, 4, 5» aus.

- Beim Drücken und Halten der Taste (4) «TURBO» schaltet sich das Rührgerät mit Maximalgeschwindigkeit ein.
- Die sich drehenden Elemente des Geräts dürfen während des Betriebs nicht berührt werden. Halten Sie Haar oder frei hängende Kleiderstücke vom Drehbereich der Rührelemente (11 oder 12) fern.
- Lassen Sie keine Fremdkörper in die Schüssel (9) geraten.
- Sperren Sie die Lüftungsöffnungen am Handmixergehäuse (1) während des Betriebs nicht ab, sonst kann das zur Überhitzung des Elektromotors führen.

Anmerkung: Beim Teigkneten kann etwas Mehl an der Innenfläche der Schüssel (9) haftenbleiben, in diesem Fall bitte den Betriebsschalter (3) in die Position «0» bringen, um das Rührgerät auszuschalten, den Netzstecker aus der Steckdose ziehen, das Mehl von der Innenfläche der Schüssel (9) mit einem Kunststoffspatel schaben und danach den Teig weiter kneten.

- Nach dem Betrieb stellen Sie den Betriebsschalter (3) in die Position «0» und ziehen Sie den Netzstecker aus der Steckdose.
 - Drücken Sie die Taste (7) und klappen Sie die Halterung (10) mit dem eingesetzten Handmixer (1) nach oben, bis sie in der oberen Lage einrastet.
 - Fassen Sie den Mixergriff (5), drücken und halten Sie die Verriegelungstaste (6), dann nehmen Sie den Handmixer (1) von der Halterung (10) nach oben ab.
- Halten Sie die Haken (11) oder Besen (12) fest, dann drücken Sie die Taste (2) und entnehmen Sie die Rührelemente.

Anmerkung: Die Rührelemente können nur dann entnommen werden, wenn der Betriebsschalter (3) in der Position «0» ist.

- Nehmen Sie die Schüssel (9) ab und entnehmen Sie daraus die Lebensmittel.
- Reinigen Sie die benutzten Rührelemente (11 oder 12) und die Schüssel (9) des Rührgeräts.

REINIGUNG UND PFLEGE

- Schalten Sie das Gerät aus und ziehen Sie den Netzstecker aus der Steckdose.
- Indem Sie die Aufsätze (11) oder die Besen (12) halten, drücken Sie die Taste (6) und trennen Sie die Aufsätze ab.
- Waschen Sie die Aufsätze (11 oder 12) mit Warmwasser und einem neutralen Reinigungsmittel, dann trocknen Sie sie ab.
- Waschen Sie die Schüssel (9) mit Warmwasser und neutralem Waschmittel, dann trocknen Sie sie ab.
- Wischen Sie das Handmixergehäuse (1) und den Sockel (8) mit einem weichen leicht angefeuchteten Tuch, danach trocknen Sie sie ab. Achten Sie darauf, dass kein Wasser ins Handmixergehäuse (1) gerät.
- Das Gehäuse des Rührgeräts (1), der Sockel (8), das Netzkabel oder der Netzstecker dürfen nicht ins Wasser oder jegliche anderen Flüssigkeiten eingetaucht werden.

- Es ist verboten, Metallschwämme, Schleifreinigungs- oder Lösungsmittel zum Reinigen des Geräts und der Aufsätze zu verwenden.

AUFBEWAHRUNG

- Bevor das Gerät zur Aufbewahrung wegzunehmen, lassen Sie es reinigen.
- Wickeln Sie das Netzkabel aufs Mixergehäuse nicht auf.
- Bewahren Sie das Gerät an einem trockenen, kühlen und für Kinder und behinderte Personen unzugänglichen Ort auf.

LIEFERUMFANG

1. Mixer – 1 Stk.
2. Anteaufsätze – 2 Stk.
3. Schlagbesen – 2 Stk.
4. Schlüssel des Rührgeräts - 1 St.
5. Sockel - 1 St.
6. Bedienungsanleitung – 1 Stk.

TECHNISCHE EIGENSCHAFTEN

- Stromversorgung: 220-240 V ~ 50 Hz
- Nennleistungsaufnahme: 500 W

ENTSORGUNG



Um möglichen Schaden für die Umwelt oder die menschliche Gesundheit durch unkontrollierte Abfallentsorgung zu vermeiden, werfen Sie das Gerät und die Batterien (falls mitgeliefert) nach Beendigung ihrer Nutzungsdauer zusammen mit gewöhnlichen Haushaltsabfällen nicht weg, geben Sie das Gerät und die Batterien in die Spezialpunkte für weitere Entsorgung über.

Die bei der Entsorgung der Erzeugnisse entstehenden Abfälle sind unbedingt zu sammeln und weiter ordnungsmäßig zu entsorgen.

Mehrere Information zur Entsorgung dieses Produkts erhalten Sie bei Ihrer lokalen Stadtverwaltung, einem Abfallentsorgungsdienst oder beim Geschäft, wo Sie dieses Produkt gekauft haben.

Der Hersteller behält sich das Recht vor, das Design, die Konstruktion und die das gemeine Gerätebetriebsprinzip nicht beeinflussenden technischen Eigenschaften ohne Vorbenachrichtigung zu verändern.

Die Gerätenutzungsdauer beträgt 3 Jahre

Das Herstellungsdatum ist in der Fabrikationsnummer angegeben.

Bei Störungsfeststellung wenden Sie sich baldigst an einen autorisierten Kundendienst.

МИКСЕР BR1304

Стационарный миксер предназначен для приготовления пищи методом перемешивания ингредиентов до получения однородной массы.

Моторный блок миксера – съёмный, и его можно использовать, как обычный ручной миксер.

ОПИСАНИЕ

1. Корпус ручного миксера
2. Кнопка отсоединения насадок
3. Переключатель режимов работы
4. Кнопка включения максимальной скорости «TURBO»
5. Ручка ручного миксера
6. Кнопка фиксатора ручного миксера
7. Кнопка разблокировки кронштейна крепления ручного миксера
8. Основание
9. Чаша миксера
10. Кронштейн крепления ручного миксера
11. Насадки для замешивания теста
12. Венчики для смешивания/взбивания

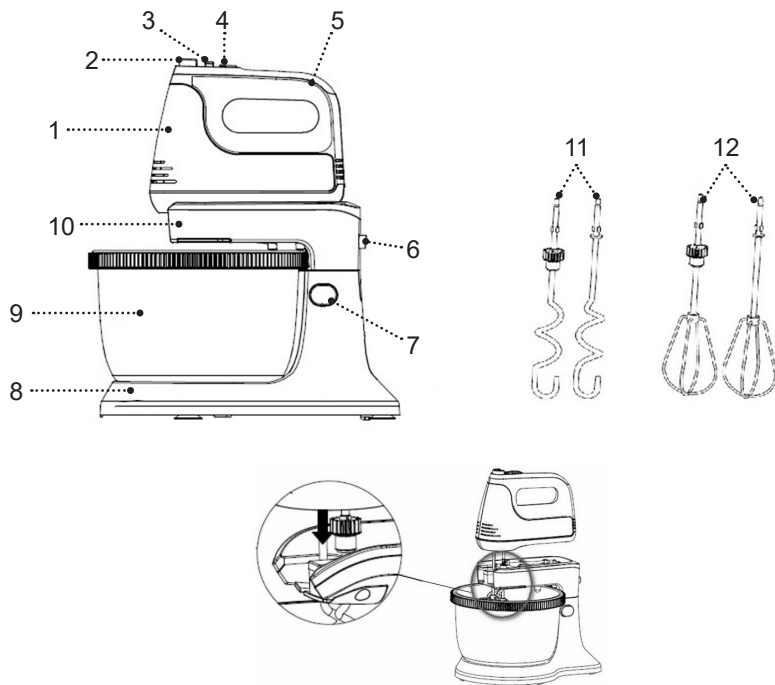


Рис. 1

МЕРЫ БЕЗОПАСНОСТИ И РЕКОМЕНДАЦИИ ПО ЭКСПЛУАТАЦИИ

Перед использованием миксера внимательно ознакомьтесь с руководством по эксплуатации, после прочтения сохраните его для использования в будущем.

- Используйте устройство только по его прямому назначению, как изложено в данной инструкции.
- Неправильное обращение с миксером может привести к его поломке, причинению вреда пользователю или его имуществу и не является гарантийным случаем.
- Убедитесь, что рабочее напряжение устройства, указанное на этикетке, соответствует напряжению электросети.
- Устанавливайте основание миксера на сухой, ровной и устойчивой поверхности.
- Помещайте продукты в чашу миксера до включения устройства.
- Следите за уровнем ингредиентов, помещённых в чашу, не переполняйте чашу миксера продуктами.
- Для извлечения ингредиентов из чаши миксера, выключите миксер, выньте вилку шнура питания из электрической розетки, приподнимите кронштейн с ручным миксером, выньте чашу и после этого извлеките из неё ингредиенты.

ВНИМАНИЕ! Время непрерывной работы стационарного миксера не должно превышать 10 минут, время работы ручного миксера не должно превышать 5 минут. Между рабочими циклами делайте перерыв не менее 20 минут.

- Запрещается использовать устройство вне помещений.
- Не рекомендуется использовать устройство во время грозы.
- Оберегайте устройство от ударов, падений, вибраций и иных механических воздействий.
- Во время работы миксера не закрывайте вентиляционные отверстия на корпусе устройства, это может привести к перегреву электромотора.
- Не оставляйте устройство, включённое в сеть, без присмотра.
- Не используйте устройство в непосредственной близости от нагревательных приборов, источников тепла или открытого пламени.
- Запрещается использовать устройство в местах, где используются или распыляются аэрозоли, а также вблизи от легковоспламеняющихся жидкостей.
- Не погружайте корпус миксера, основание, шнур питания или вилку шнура питания в воду или любые другие жидкости.
- Не используйте устройство вблизи от кухонной раковины, в ванных комнатах, около бассейнов или других ёмкостей, наполненных водой.

- Если устройство упало в воду, немедленно выньте вилку шнура питания из электрической розетки, и только после этого можно достать устройство из воды. Обратитесь в сервисный центр для осмотра или ремонта устройства.
- Не допускайте, чтобы шнур питания касался горячих поверхностей и острых кромок мебели.
- Отключайте устройство от электросети после использования или перед чисткой. При отключении устройства от электрической сети держитесь за вилку шнура питания и аккуратно выньте её из электрической розетки, не тяните за шнур питания – это может привести к его повреждению и вызвать короткое замыкание.
- Не прикасайтесь к корпусу устройства, к шнуру питания и к вилке шнура питания мокрыми руками.
- Перед первым использованием устройства тщательно промойте съёмные насадки и венчики, которые будут контактировать с продуктами.
- Используйте только насадки и венчики, которые входят в комплект поставки.
- Не прикасайтесь к вращающимся насадкам и венчикам. Не допускайте попадания волос или свободно висящих элементов одежды в зону вращения насадок или венчиков.
- Перед использованием устройства, убедитесь, что насадки или венчики установлены правильно и зафиксированы.
- Запрещается смешивать миксером твёрдые ингредиенты, например, охлаждённое сливочное масло или замороженное тесто.
- Запрещается устанавливать и одновременно использовать венчик для смешивания/взбивания и насадку для замешивания теста.
- Запрещается снимать или устанавливать насадки, или венчики во время работы миксера.
- Регулярно проводите чистку корпуса миксера и насадок.
- Из соображений безопасности детей не оставляйте полиэтиленовые пакеты, используемые в качестве упаковки, без надзора.

ВНИМАНИЕ! Не разрешайте детям играть с полиэтиленовыми пакетами или упаковочной плёнкой.
Опасность удушья!

- Устройство не предназначено для использования детьми.
- Осуществляйте надзор за детьми, чтобы не допустить использования устройства в качестве игрушки.
- Не разрешайте детям прикасаться, к корпусу устройства, к шнуру питания или к вилке шнура питания во время работы устройства.
- Будьте особенно внимательны, если поблизости от работающего устройства находятся дети или лица с ограниченными возможностями.

- Во время работы и в перерывах между рабочими циклами размещайте устройство в местах, недоступных для детей.
- Прибор не предназначен для использования лицами (включая детей) с пониженными физическими, сенсорными, психическими или умственными способностями, или при отсутствии у них опыта или знаний, если они не находятся под контролем или не проинструктированы лицом, ответственным за их безопасность, об использовании прибора.
- Проверьте целостность шнура питания перед использованием миксера. При повреждении шнура питания его замену, во избежание опасности, должны производить изготовитель, сервисная служба или подобный квалифицированный персонал.
- Запрещается самостоятельно ремонтировать устройство. Не разбирайте устройство самостоятельно, при возникновении любых неисправностей, а также после падения устройства отключите его от электросети и обратитесь в сервисный центр.
- Во избежание повреждений перевозите устройство в заводской упаковке.
- Храните устройство в сухом прохладном месте, недоступном для детей и людей с ограниченными возможностями.

УСТРОЙСТВО ПРЕДНАЗНАЧЕНО ТОЛЬКО ДЛЯ БЫТОВОГО ИСПОЛЬЗОВАНИЯ, ЗАПРЕЩАЕТСЯ ИСПОЛЬЗОВАТЬ УСТРОЙСТВО В КОММЕРЧЕСКИХ ИЛИ ЛАБОРАТОРНЫХ ЦЕЛЯХ.

ПЕРЕД ПЕРВЫМ ИСПОЛЬЗОВАНИЕМ

После транспортировки или хранения устройства при отрицательной температуре, распакуйте его и подождите не менее 3 часов перед использованием.

- Распакуйте устройство и удалите все упаковочные материалы.
- Сохраните заводскую упаковку.
- Ознакомьтесь с мерами безопасности и рекомендациями по эксплуатации.
- Проверьте комплектацию.
- Осмотрите устройство на наличие повреждений, при наличии повреждений не включайте его в сеть.
- Убедитесь, что указанные параметры напряжения питания устройства соответствуют параметрам электрической сети. При использовании устройства в электрической сети частотой 60 Гц, никаких дополнительных действий не требуется.
- Насадки для замешивания теста (11) и венчики для смешивания/взбивания (12), чашу (9) вымойте тёплой водой с нейтральным моющим средством, ополосните и просушите.

- Корпус ручного миксера (1) и основание (8) протрите мягкой слегка влажной тканью, после чего вытрите насухо.

КУЛИНАРНЫЕ СОВЕТЫ

- Охлажденные ингредиенты такие как, масло, яйца и т.п. перед смешиванием должны нагреться до комнатной температуры.
- Чтобы исключить в вашем рецепте попадания частиц скорлупы или испорченных яиц, сначала разбейте яйца в отдельную емкость, а затем добавьте их в чашу миксера.
- Всегда начинайте смешивание ингредиентов на малых скоростях и постепенно увеличивайте скорость вращения насадок.
- При необходимости добавления горячей жидкости, добавляйте её понемногу, чтобы предотвратить резкий нагрев основных ингредиентов.
- Если ингредиенты недостаточно перемешались во время работы, выключите миксер, кухонной лопаткой сдвиньте ингредиенты к середине чаши, и включите миксер для продолжения работы.
- При небольшом количестве ингредиентов в чаше миксера, рекомендуется смешивать их ручным миксером.
- Если какой-либо посторонний предмет, упадет в чашу во время работы миксера, немедленно установите переключатель режимов работы в положение «0», а затем извлеките посторонний предмет из чаши миксера.

- Чтобы упростить очистку насадок, сразу после их снятия, промойте насадки теплой водой.

ИСПОЛЬЗОВАНИЕ РУЧНОГО МИКСЕРА

ВНИМАНИЕ! Время непрерывной работы ручного миксера (1) не должно превышать 5 минут. Между рабочими циклами делайте перерыв не менее 20 минут.

Насадки для замешивания теста (11)

- Используйте насадки (11) для замешивания дрожжевого теста, перемешивания фарша и т.п.

Примечание: вставляйте насадки для замешивания теста (11) в соответствующие отверстия для установки насадок.

Венчики для смешивания/взбивания (12)

- Используйте венчики (12) для взбивания сливок, яичного белка, приготовления бисквитного теста, пудингов, коктейлей, крема, майонеза, пюре, соусов, а также для смешивания жидких продуктов.

Примечание: вставляйте венчики для смешивания/взбивания (12) в соответствующие отверстия для установки насадок.

- Убедитесь, что переключатель режимов работы (3) установлен в положение «0» и вилка шнура питания не вставлена в электрическую розетку.
- Вставьте насадки для замешивания теста (11) или венчики (12) в соответствующие отверстия для

установки насадок до щелчка. Обе насадки должны зафиксироваться в отверстиях миксера.

Примечание: запрещается устанавливать и одновременно использовать насадку для замешивания теста (11) и венчик для смешивания/взбивания (12).

- Держите ручной миксер (1) за ручку (5).
- Вставьте вилку шнура питания в электрическую розетку.
- Опустив насадки в ёмкость с ингредиентами (можно использовать чашу (9)), включите миксер переключателем режимов работы (3) и выберите нужную скорость вращения насадок «1, 2, 3, 4, 5».
 - «0» - миксер выключен.
 - «1» - оптимальная скорость для смешивания сухих и сыпучих продуктов, таких как мука.
 - «2» - оптимальная скорость для смешивания жидкостей и приправ к салатам.
 - «3» - оптимальная скорость для приготовления теста для тортов или печенья.
 - «4» - оптимальная скорость для взбивания крема, приготовления десертов и т.п.
 - «5» - оптимальная скорость для взбивания яиц, крема, приготовления сахарной глазури, коктейлей, картофельного пюре и т.п.
- При нажатии и удержании кнопки (4) «TURBO», миксер включится на максимальной скорости.
- Во время работы не закрывайте вентиляционные отверстия на корпусе ручного миксера (1), это может привести к перегреву электромотора.

• После завершения работы установите переключатель режимов работы (3) в положение «0» и выньте вилку шнура питания из электрической розетки.

• Придерживая насадки (11) или венчики (12), нажмите кнопку (2) и отсоедините насадки.

Примечание: отсоединить насадки можно только в том случае, если переключатель режимов работы (3) установлен в положение «0».

- Промойте насадки (11 или 12), тёплой водой с нейтральным моющим средством, ополосните и просушите.
- Корпус ручного миксера (1) протрите мягкой слегка влажной тканью, после чего вытрите насухо.

СТАЦИОНАРНЫЙ МИКСЕР

- **ВНИМАНИЕ!** Время непрерывной работы стационарного миксера не должно превышать 10 минут. Между рабочими циклами делайте перерыв не менее 20 минут.
- Установите основание миксера (8) на сухую, ровную и устойчивую поверхность.
- Убедитесь, что переключатель режимов работы (3) установлен в положение «0» и вилка шнура питания не вставлена в электрическую розетку.
- Вставьте насадки для замешивания теста (11) или венчики (12) в соответствующие отверстия ручного миксера (1) до щелчка. Обе насадки должны зафиксироваться в отверстиях ручного миксера.

- Нажмите кнопку (7) и поднимите кронштейн (10) до его фиксации в верхнем положении.
- Установите ручной миксер (1) на кронштейн (10), совместив место установки нижней части ручного миксера (1) с фиксаторами на кронштейне (10), нажмите на ручку миксера (5) для срабатывания фиксатора. Убедитесь в надёжной фиксации ручного миксера (1) (рис. 1).
- Установите чашу (9) с продуктами на основание (8). Количество ингредиентов, помещённых в чашу (9) не должно превышать 1,5 кг.
- Нажмите на кнопку (7) и опустите кронштейн (10) до его фиксации в нижнем положении.
- Вставьте вилку шнура питания в электрическую розетку.
- Включите миксер переключателем режимов работы (3) и выберите нужную скорость вращения насадок «1, 2, 3, 4, 5».
- При нажатии и удержании кнопки (4) «TURBO», миксер включится на максимальной скорости.
- Во время работы миксера не прикасайтесь к вращающимся частям устройства. Не допускайте попадания волос или свободно висящих элементов одежды в зону вращения насадок (11 или 12).
- Не допускайте попадания в чашу (9) посторонних предметов.
- Не закрывайте вентиляционные отверстия на корпусе ручного миксера (1), это может привести к перегреву электродвигателя.

Примечание: во время замешивания теста, часть муки может прилипнуть к внутренней поверхности чаши (9), в этом случае, выключите миксер, установив переключатель режимов работы (3) в положение «0», выньте вилку шнура питания из электрической розетки, соскребите муку с внутренней поверхности чаши (9) пластиковой лопаткой, и после этого продолжите замешивание теста.

- После окончания работы установите переключатель режимов работы (3) в положение «0» и выньте вилку шнура питания из электрической розетки.
- Нажмите кнопку (7) и поднимите кронштейн (10) с установленным ручным миксером (1) до его фиксации в верхнем положении.
- Возьмитесь за ручку миксера (5) нажмите и удерживайте кнопку фиксатора (6), снимите ручной миксер (1) с кронштейна (10) по направлению вверх.
- Придерживая насадки (11) или венчики (12), нажмите кнопку (2) и отсоедините насадки.

Примечание: отсоединить насадки можно только в том случае, если переключатель режимов работы (3) установлен в положение «0».

- Снимите чашу (9) и извлеките из неё продукты.
- Проведите чистку используемых насадок (11 или 12) и чаши миксера (9).

ЧИСТКА И УХОД

- Выключите устройство и выньте вилку шнура питания из электрической розетки.
- Придерживая насадки (11) или венчики (12) нажмите кнопку (2) и отсоедините насадки.
- Промойте насадки (11 или 12) тёплой водой с нейтральным моющим средством, затем просушите.
- Промойте чашу (9) тёплой водой с нейтральным моющим средством, затем просушите.
- Протрите корпус ручного миксера (1) и основание (8) мягкой слегка влажной тканью, после чего вытрите насухо. Не допускайте попадания воды в корпус ручного миксера (1).
- Запрещается погружать корпус миксера (1), основание (8), шнур питания и вилку шнура питания в воду или любые другие жидкости.
- Запрещается использовать для чистки устройства и насадок металлические мочалки, абразивные чистящие средства или растворители.

ХРАНИЕНИЕ

- Перед тем как убрать устройство на хранение проведите его чистку.
- Запрещается наматывать шнур питания на корпус миксера.
- Храните устройство в сухом прохладном месте, недоступном для детей и людей с ограниченными возможностями.

КОМПЛЕКТ ПОСТАВКИ

1. Миксер – 1 шт.
2. Насадки замешивания теста – 2 шт.
3. Венчики для взбивания – 2 шт.
4. Чаша миксера – 1 шт.
5. Основание – 1 шт.
6. Инструкция – 1 шт.

ТЕХНИЧЕСКИЕ ХАРАКТЕРИСТИКИ

- Электропитание: 220-240 В ~ 50 Гц
- Номинальная потребляемая мощность: 500 Вт

УТИЛИЗАЦИЯ

Чтобы предотвратить возможный вред окружающей среде или здоровью людей от неконтролируемой утилизации отходов, после окончания срока службы устройства или элементов питания (если входят в комплект), не выбрасывайте их вместе с обычными бытовыми отходами, передайте прибор и элементы питания в специализированные пункты для дальнейшей утилизации.

Отходы, образующиеся при утилизации изделий, подлежат обязательному сбору с последующей утилизацией в установленном порядке.

Для получения дополнительной информации об утилизации данного продукта обратитесь в местный муниципалитет, службу утилизации бытовых отходов или в магазин, где Вы приобрели данный продукт.

Производитель сохраняет за собой право изменять дизайн, конструкцию и технические характеристики, не влияющие на общие принципы работы устройства, без предварительного уведомления.

Срок службы устройства – 3 года

Дата производства указана в серийном номере.

В случае обнаружения каких-либо неисправностей необходимо обратиться в авторизованный сервисный центр.

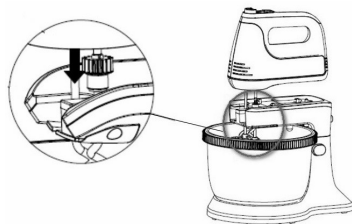
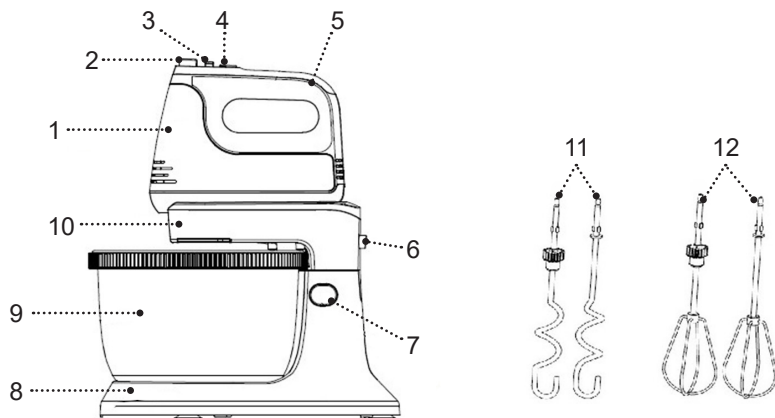
МИКСЕР BR1304

Стационарлық миксер біртекті массаға айналғанға дейін оның ингредиенттерін араластыру әдісімен тамақ дайындауға арналған.

Миксердің моторлық блогы - алынбалы және оны әдеттегі қол миксері сияқты қолдануға болады.

СИПАТТАМАСЫ

1. Қол миксерінің корпусы
2. Қондырмаларды ажырату батырмалары
3. Жұмыс режимдерінің ауыстырғышы
4. «TURBO» максималдық жылдамдықты іске қосу батырмасы
5. 5. Қол миксер тұтқасы
6. Қол миксер бекітпесінің батырмасы
7. Қол миксері бекітпесі кронштейнін бұғаттан шығару батырмасы
8. Негізі
9. Миксер тостағаны
10. Қол миксері бекітпесінің кронштейні
11. Қамыр илеуге арналған қондырмалар
12. Араластыруға/бұлғауға арналған бұлғауыштар



Cyp. 1

ҚАУІПСІЗДІК ШАРАЛАРЫ ЖӘНЕ ПАЙДАЛАНУ БОЙЫНША НҰСҚАУЛЫҚ

Миксерді пайдалану алдында қолдану жөніндегі нұсқаулықты мұқият оқып шығыңыз, оқыған соң, болашақта пайдалану үшін сақтап қойыңыз.

- Құрылғыны осы нұсқаулықта баяндалғандай, оның тікелей мақсаты бойынша ғана пайдаланыңыз.
- Миксерді дұрыс қолданбау оның бұзылуына, және пайдаланушыға немесе оның мүлкіне зиян келтіруге әкеп соғуы мүмкін және кепілдік жағдайы болып саналмайды.
- Заттаңбада көрсетілген құрылғының жұмыс кернеуі электр желісінің кернеуіне сәйкес екеніне көз жеткізіңіз.
- Миксердің негізін құрғақ, тегіс және тұрақты бетке орнатыңыз.
- Өнімдері миксер тостағанына құрылғыны қосудан бұрын салыңыз.
- Тостағанға салынған ингредиенттердің деңгейін бақылаңыз, миксер тостағанын өнімдермен асыра толтырмаңыз.
- Миксер тостағанынан ингредиенттерді шығарып алу үшін миксерді өшіріңіз, қуат сымының ашасын электр розеткасынан суырып алыңыз, қол миксері бар қорғанышты көтеріңіз, тостағанды шығарып алыңыз да, содан кейін ғана ішінен ингредиенттерді шығарып алыңыз.

НАЗАР АУДАРЫҢЫЗ! Стационарлық миксердің үздіксіз жұмыс уақыты 10 минуттан аспауы тиіс,

қол миксерінің жұмыс уақыты 5 минуттан аспауы тиіс. Жұмыс циклдерінің арасында 20 минуттан кем емес үзіліс жасаңыз.

- Құрылғыны үй-жайдан тыс жерде пайдалануға тыйым салынады.
- Найзағай кезінде құрылғыны пайдалану ұсынылмайды.
- Құрылғыны соққыдан, құлаудан, дірілден және басқа да механикалық әсерлерден сақтаңыз.
- Миксердің жұмыс істеуі барысында құрылғы корпусындағы желдету саңылауларын бүркемеңіз, бұл электромотордың қызып кетуіне әкеп соғуы мүмкін.
- Желіге қосылған құрылғыны, қараусыз қалдырмаңыз.
- Құрылғыны жылу көздерінің, жылыту аспаптарының немесе ашық оттың тікелей жанында пайдаланбаңыз.
- Құрылғыны аэрозольдар пайдаланылатын немесе шашырайтын жерлерде, сондай-ақ тез тұтанатын сұйықтықтарға жақын жерлерде пайдалануға тыйым салынады.
- Миксер корпусын, негізді, қуаттандыру бауын немесе қуаттандыру бауының ашасын суға немесе кез-келген басқа сұйықтықтарға салмаңыз.
- Құрылғыны асүй раковинасына жақын, жуынатын бөлмеде, бассейндер немесе басқа да су толтырылған сыйымдылықтарға жақын жерде пайдаланбаңыз.
- Егер құрылғы суға құлап кетсе, дереу қуаттандыру

- бауының ашасын электр розеткасынан сурыңыз, содан кейін ғана құрылғыны судан алып шығуға болады. Құрылғыны тексерту немесе жөндету үшін сервис орталығына жүгініңіз.
- Қуаттандыру бауы ыстық беттерге және жиһаздың өткір жиектеріне тиюін болдырмаңыз.
 - Құрылғыны пайдаланып болғаннан кейін немесе тазалау алдында электр желісінен ажыратыңыз. Құрылғыны электр желісінен ажыратқан кезде тек қуаттандыру бауының ашасынан ұстаңыз және оны электр розеткасынан абайлап шығарыңыз, қуаттандыру бауынан тартпаңыз – бұл оның зақымдануына әкелуі және қысқа тұйықталуын тудыруы мүмкін.
 - Құрылғы корпусын, қуаттандыру бауын және қуаттандыру бауының ашасын су қолмен ұстамаңыз.
 - Құрылғыны алғаш пайдалану алдында өнімдермен түйсетін, барлық шешілмелі қондырмалар мен бұлғауыштарды жақсылап жуыңыз.
 - Жеткізілім жиынтығына кіретін шешілмелі қондырмалар мен бұлғауыштарды ғана пайдаланыңыз.
 - Айналымалы қондырмалар мен бұлғауыштарға тиіспеніз. Қондырмалар немесе бұлғауыштардың айналатын аймағына шаштың немесе киімнің салбыраған элементтері түсуіне жол бермеңіз.
 - Құрылғыны пайдалану алдында қондырмалардың дұрыс орнатылғанына және бекітілгендігіне көз жеткізіңіз.

- Қатты ингредиенттерді миксермен араластыруға тыйым салынады, мысалы, салқындатылған сары май немесе мұздатылған қамыр.
- Бұлауыш пен қамыр илейтін қондырма мен ала-растыруға/бұлғауға арналған бұлғауышты бірге орнатуға және бір мезгілде пайдалануға тыйым салынады.
- Миксер жұмыс істеп тұрғанда қондырмаларды орнатуға немесе шешіп алуға тыйым салынады.
- Миксер корпусының және қондырмалардың тазалауын мезгілімен жүргізіп отырыңыз.
- Балалардың қауіпсіздігі үшін қаптама ретінде пайдаланылатын, полиэтилен пакеттерді қадағалаусыз қалдырмаңыз.

Назар аударыңыз! Балаларға полиэтилен пакеттерімен немесе қаптама үлдірімен ойнауға рұқсат етпеңіз. **Тұншығу қаупі!**

- Құрылғы балалардың пайдалануына арналмаған.
- Құрылғыны ойыншық ретінде пайдалануын болдырмау үшін, балаларды қадағалаңыз.
- Балаларға құрылғы жұмыс істеп тұрған кезде құрылғы корпусын, қуаттандыру бауын немесе қуаттандыру бауының ашасын ұстауға рұқсат етпеңіз. Егер жұмыс істеп тұрған құрылғының маңында балалар немесе мүмкіндіктері шектеулі адамдар болса, онда ерекше назарда болыңыз.
- Жұмыс істеу уақытында және жұмыс циклдері арасындағы үзілістерде құрылғыны балалардың қолы жетпейтін жерде орналастырыңыз.

- Дене, сенсорлық, психикалық немесе ақыл-сана мүмкіндіктері төмендетілген тұлғалардың (балаларды қоса) немесе оларда тәжірибесі немесе білімі болмаса, егер олар бақыланбаса немесе олардың қауіпсіздігі үшін жауап беретін тұлғамен
- аспапты пайдалану туралы нұсқаулықтар берілген болмаса, осы аспап олардың пайдалануына арналмаған.
- Миксерді қолданар алдында қуаттандыру бауының бүтіндігін тексеріңіз. Қуаттандыру бауы зақымданғанда қауіп тудырмау үшін оны дайындаушы, сервистік қызмет немесе баламалы білікті маман ауыстыруы тиіс.
- Құрылғыны өздігіңізден жөндеуге тыйым салынады. Құрылғыны өз бетіңізбен бөлшектемеңіз, кез-келген ақаулықтар пайда болған кезде, сондай-ақ құрылғы құлаған болса, оны электр желісінен ажыратыңыз және сервистік орталыққа жүгініңіз.
- Құрылғының зақымдануын болдырмау үшін зауыт қаптамасында тасымалдаңыз.
- Құрылғыны салқын және құрғақ жерде, балалардың және мүмкіндігі шектеулі адамдардың қолы жетпейтін жерде сақтаңыз.

ҚҰРЫЛҒЫ ТЕК ТҰРМЫСТЫҚ ПАЙДАЛАНУҒА АРНАЛҒАН, ҚҰРЫЛҒЫНЫ КОМЕРЦИЯЛЫҚ НЕМЕСЕ ЗЕРТХАНАЛЫҚ МАҚСАТТАРДА ПАЙДАЛАНУҒА ТЫЙЫМ САЛЫНАДЫ.

АЛҒАШ РЕТ ПАЙДАЛУ АЛДЫНДА

Құрылғыны кері температурада тасымалдағаннан немесе сақтағаннан кейін оны қаптамадан шығарыңыз және пайдаланудың алдында 3 сағаттан кем емес уақыт күтіңіз.

- Құрылғыны қаптамадан шығарыңыз және барлық қаптама материалдарын жойыңыз.
- Зауыт қаптамасын сақтап қойыңыз.
- Қауіпсіздік шаралары мен пайдалану нұсқауларымен танысыңыз.
- Жинақталымын тексеріңіз.
- Құрылғыны зақымдануына қатысты тексеріп алыңыз, зақымдануы болған жағдайда оны желіге қоспаңыз.
- лғының көрсетілген қуаттандыру кернеуі параметрлері электр желісінің параметрлеріне сәйкес келетініне көз жеткізіңіз. Құралды 60 Гц жиіліктегі электр желісінде пайдалану кезінде ешқандай қосымша әрекет қажет емес.
- Қамыр илеуге арналған қондырмалар (11) және ара-ластыруға/бұлғауға арналған бұлғауыштарды (12), тостағанды (9) бейтарап жуғыш құралы бар жылы сумен жуыңыз, шайыңыз және келтіріңіз.
- Қол миксер корпусын (1) және негізді (8) жұмсақ, сәл дымқыл матамен сүртіңіз, содан кейін құрғатып сүртіңіз.

АСПАЗДЫҚ КЕҢЕСТЕР

- Салқындатылған ингредиенттерді, мысалы, майды, жұмыртқаны және т.б. араластырмас бұрын бөлме температурасына дейін қыздырып алу керек.
- Рецептінде қабық бөлшектері немесе бүлінген жұмыртқа болмауы үшін алдымен жұмыртқаны бөлек ыдысқа жарып құйыңыз, содан кейін оларды миксер тостағанына қосыңыз.
- Әрқашан ингредиенттерді араластыруды төмен жылдамдықтан бастаңыз және қондырмалардың айналу жылдамдығын біртіндеп арттырыңыз.
- Ыстық сұйықтық құю қажет болса, негізгі ингредиенттердің қатты қызып кетуіне жол бермеу үшін оны аз-аздап қосыңыз.
- Егер жұмыс кезінде ингредиенттер жеткілікті түрде араласпаса, миксерді өшіріңіз, ас үй қалағымен ингредиенттерді тостағанның ортасына сырғытыңыз да, жұмысты жалғастыру үшін миксерді қосыңыз.
- Миксер тостағанында ингредиенттер мөлшері аз болса, оларды қол миксерімен араластыру ұсынылады.
- Егер миксер жұмыс істеп жатқан кезде тостағанға қандай да бір бөгде зат түсіп кетсе, жұмыс режимі қосқышын дереу «0» күйіне орнатыңыз, содан кейін миксер тостағанынан бөгде затты шығарып алыңыз.

- Қондырмаларды тазалауды жеңілдету үшін, оларды шешіп алғаннан кейін, бірден қондырмаларды жылы сумен жуып жіберіңіз.

ҚОЛ МИКСЕРІН ҚОЛДАНУ

НАЗАР АУДАРЫҢЫЗ! Қол миксерінің (1) үздіксіз жұмыс істеу уақыты 5 минуттан аспауы керек. Жұмыс циклдерінің арасында 20 минуттан кем емес үзіліс жасаңыз.

Қамыр илеуге арналған қондырмалар (11)

- Қондырмаларды (11) дрожжи қосылған қамырды илеуге, фаршты және т.б. араластыруға пайдаланыңыз

Ескертпе: қамырды араластыруға арналған қондырмаларды (11) қондырмаларды орнатуға арналған арнайы тесіктерге салыңыз.

Араластыруға/бұлғауға арналған бұлғауыштар (12)

- Кілегейді, жұмыртқаның ақуызын бұлғауға, бисквит қамырын, пудинг, коктейльдер, крем, майонез, езе және тұздықтар әзірлеуге, сонымен қатар сұйық өнімдерді араластыру үшін бұлғауыштарды (12) пайдаланыңыз.

Ескертпе: араластыруға/шайқауға арналған бұлғауышты (12) қондырмаларды орнатуға арналған тиісті тесіктерге салыңыз.

- Жұмыс режимдерінің ауыстырғышы (5) күйіне «0» белгіленгеніне, ал желі бауының ашасы электр розеткасына тығылмағанына көз жеткізіңіз.
- Қамырды илеуге арналған қондырманы (11) немесе бұлғауышты (12) қондырмаларды орнатуға арналған арнайы тесіктерге бекігенге дейін салыңыз. Екі қондырма да миксердің тесіктеріне бекітілуі тиіс.

Ескертпе: қамырды араластыруға арналған қондырманы (1) және араластыруға/бұлғауға арналған бұлғауышты (2) бірге орнатуға және бір мезгілде пайдалануға тыйым салынады.

- Қол миксерін (1) тұтқасынан (5) ұстаңыз.
- Қуаттандыру бауының ашасын электр розеткасына тығыңыз.
- Қондырмаларды ингредиенттері бар сыйымдылыққа (тостағанды (9) пайдалануға болады) батырып, жұмыс режимдерінің ауыстырғышымен (3) миксерді қосыңыз және қондырмалардың қажетті айналу жылдамдығын «1, 2, 3, 4, 5» таңдаңыз.
 - «0» - миксер өшірулі.
 - «1» - ұн сияқты сусымалы және құрғақ өнімдерді араластыруға арналған оңтайлы араластыру жылдамдығы.
 - «2» - сұйықтықтар мен салат дәмдеуіштерін араластыруға арналған оңтайлы жылдамдық.
 - «3» - торттар мен печеньелер қамырын дайындауға арналған оңтайлы жылдамдық.
 - «4» - кремді бұлғауға, десерттер және т.б. дайындауға арналған оңтайлы жылдамдық.

- «5» - жұмыртқаны, кремді бұлғауға, қант жылтырын, коктейльдерді, картоп езбесін және т. б. дайындауға арналған оңтайлы жылдамдық.
- Батырманы (4) басып «TURBO» ұстап тұрғанда, миксер максималды жылдамдықта қосылады.
- Жұмыс барысында қол миксері (1) корпусындағы желдету саңылауларын жаппаңыз, бұл электр мотордың қызып кетуіне әкеп соғуы мүмкін.
- Жұмыс аяқталғаннан кейін жұмыс режимдері ауыстырғышын (3) күйіне «0» орнатыңыз және қуаттандыру бауының ашасын электр розеткасынан суырыңыз.
- Қондырмаларды (11) немесе бұлғауышты (12) ұстап тұрып, батырманы (2) басыңыз және қондырманы шығарып алыңыз.

Ескертпе: қондырмаларды жұмыс режимдерінің ауыстырғышы (3) күйіне «0» орнатылған жағдайда ғана ажыратуға болады.

- Қондырмаларды (11 немесе 12) бейтарап жуу құралы бар жылы сумен жуыңыз, шайыңыз және құрғатыңыз.
- Қол миксері корпусын (1) жұмсақ, сәл дымқыл матамен сүртіңіз, содан кейін құрғатып сүртіңіз.

СТАЦИОНАРЛЫҚ МИКСЕР

НАЗАР АУДАРЫҢЫЗ! Стационарлық миксердің үздіксіз жұмыс істеу уақыты 10 минуттан аспауы керек. Жұмыс циклдерінің арасында 20 минуттан кем емес үзіліс жасаңыз.

- Миксер негізін (8) тегіс, құрғақ және орнықты бетке орнатыңыз.
- Жұмыс режимдерінің ауыстырғышы (3) күйіне «0» белгіленгеніне, ал желі бауының ашасы электр розеткасына тығылмағанына көз жеткізіңіз.
- Қамырды илеуге арналған қондырманы (11) немесе бұлғауышты (12) қондырмаларды орнатуға арналған арнайы тесіктерге (1) бекігенге дейін тығыңыз. Екі қондырма да қол миксерінің тесіктеріне бекітілуі тиіс.
- Батырманы (7) басып, кронштейнді (10) жоғарғы күйіне бекітілгенге дейін көтеріңіз.
- Қол миксерін (1) кронштейнге (10) орнатыңыз, ол үшін қол миксерінің төменгі бөлігін (1) кронштейндегі бекіткіштермен (10) туралаңыз, бекіткішті іске қосу үшін миксердің тұтқасын (5) басыңыз. Қол миксерінің (1) сенімді бекітілгеніне көз жеткізіңіз (сур. 1).
- Өнімдер салынған тостаған (9) негізге (8) орнатыңыз. Тостағанға (9) салынған ингредиенттердің мөлшері 1,5 кг-нан аспауы керек.
- Батырманы (7) басып, кронштейнді (10) төменгі күйге бекітілгенге дейін түсіріңіз.
- Қуаттандыру бауының ашасын электр розеткасына тығыңыз.
- Жұмыс режимдерінің ауыстырғышымен (3) миксерді қосыңыз және қондырмалардың қажетті айналу жылдамдығын «1, 2, 3, 4, 5» таңдаңыз.
- Батырманы (4) «TURBO» басып ұстап тұрғанда, миксер максималды жылдамдықта қосылады.

- Миксер жұмыс істеп тұрған уақытында құрылғының айналмалы бөліктеріне тиіспеңіз. Қондырмалардың (11 немесе 12) айналатын аймағына шаштың немесе киімнің салбыраған элементтері түсуіне жол бермеңіз.
- Тостағанға (9) бөгде заттардың түсуіне жол бермеңіз.
- Қол миксері (1) корпусындағы желдету саңылауларын жаппаңыз, бұл электр мотордың қызып кетуіне әкеп соғуы мүмкін.

Ескертпе: қамырды илеу кезінде ұнның біраз бөлігі тостағанның (9) ішкі бетіне жабысып қалуы мүмкін, бұл жағдайда амиксерді сөндіріңіз, ол үшін жұмыс режимі ауыстырғышын (3) күйіне «0» ауыстырыңыз, қуат сымның ашасын электр розеткасынан суырып алыңыз, ұндытостағанның (9) ішкі бетінен пластикалық қалақпен қырып алыңыз, содан кейін қамырды илеуді жалғастырыңыз.

- Жұмыс аяқталғаннан кейін жұмыс режимдері ауыстырғышын (3) күйіне «0» орнатыңыз және қуат сымның ашасын электр розеткасынан суырып алыңыз.
- Батырманы (7) басыңыз және қол миксері (1) орнатылған кронштейнді (10) жоғарғы күйінде бекітілгенге дейін көтеріңіз.
- Миксердің тұтқасынан (5) ұстаңыз және бекіткіш батырмасын (6) басып тұрыңыз, қол миксерін (1) кронштейннен (10) жоғары қарай тартып шешіп алыңыз.

- Қондырмаларды (11) немесе бұлғауыштарды (12) ұстап тұрып, батырманы (2) басыңыз және қондырмаларды шешіп алыңыз.
- Ескертпе: - қондырмаларды жұмыс режимдерінің ауыстырғышы (3) күйіне «0» орнатылған жағдайда ғана ажыратуға болады.
- Тостағанды (9) шешіп алыңыз және оның ішінен өнімдерін шығарыңыз.
- Пайдаланылған қондырмаларды (11 немесе 12) және миксер остағанын (9) тазалаңыз.

ТАЗАЛАУЫ МЕН КҮТІМІ

- Құрылғыны сөндіріңіз және қуаттандыру бауының ашасын электр розеткадан суырып алыңыз.
- Қондырмаларды (11) немесе бұлғауыштарды (12) ұстап тұрып, батырмаға (2) басыңыз және қондырмаларды ажыратыңыз.
- Қондырмаларды (11 немесе 12) бейтарап жуу құралы бар жылы сумен жуып, содан кейін кептіріңіз.
- Тостағанды (9) бейтарап жуу құралы бар жылы сумен жуып жіберіңіз, содан кейін кептіріңіз.
- Қол миксерінің корпусын (1) және негізді (8) сәл дымқыл жұмсақ матамен сүртіңіз, содан соң құрғатып сүртіңіз. Қол миксері корпусына (1) судың тиюін болдырмаңыз.
- Миксердің корпусын (1), негізін (8), қуаттандыру бауын және қуаттандыру бауының ашасын суға немесе кез-келген басқа сұйықтықтарға салуға тыйым салынады.

- Құрылғыны және қондырмаларды тазалау үшін, металдан жасалған жөкелерді, абразивті тазалау құралдарын немесе еріткіштерді пайдалануға тыйым салынады.

САҚТАЛУЫ

- Құрылғыны сақтауға алып қоярдан бұрын, оны тазалап алыңыз.
- Қуаттандыру бауын миксердің корпусына орауға тыйым салынады.
- Құрылғыны салқын және құрғақ жерде, балалардың және мүмкіндігі шектеулі адамдардың қолы жетпейтін жерде сақтаңыз.

ЖЕТКІЗІЛІМ ЖИЫНТЫҒЫ

1. Миксер – 1 дн.
2. Қамыр илеуге арналған қондырмалар – 2 дн.
3. Бұлғауға арналған бұлғауыш – 2 дн.
4. Миксер тостағаны – 1 дн.
5. Негіз – 1 дн.
6. Нұсқаулық – 1 дн.

ТЕХНИКАЛЫҚ СИПАТТАМАЛАРЫ

- Электр қуаттандыруы: 220-240 В ~ 50 Гц
- Номиналдық тұтыну қуаттылығы: 500 Вт

КӘДЕГЕ АСЫРУ



Қалдықтардың бақыланбай кәдеге асыруынан қоршаған ортаға немесе адамдардың денсаулығына зиян келтірмеу үшін, құрылғының немесе қуаттандыру элементтерінің (егер жинақталымға кірсе) қызмет ету мерзімі аяқталғаннан

кейін оларды әдеттегі тұрмыстық қалдықтармен бірге тастамаңыз, аспапты және қуаттандыру элементтерін одан әрі кәдеге асыру үшін арнайы пункттерге жіберіңіз.

Бұйымдарды кәдеге асыру кезінде пайда болатын қалдықтар белгіленген тәртіп бойынша келесі кәдеге асырылатын тәртіппен міндетті түрде жинауға жатады.

Берілген өнімді кәдеге асыру туралы қосымша ақпаратты алу үшін жергілікті муниципалитетке, тұрмыстық қалдықтарды кәдеге асыру қызметіне немесе берілген өнімді Сіз сатып алған дүкенге жүгініңіз.

Өндіруші алдын-ала ескертусіз, құрылғының дизайнын, конструкциясы мен оның жалпы жұмыс ұстанымдарына әсер етпейтін техникалық сипатта-маларын өзгерту құқығын өзіне қалдырады.

Құрылғының қызмет ету мерзімі – 3 жыл

Өндірілген күні сериялық нөмірде көрсетілген.

Қандай да бір ақаулықтар табылған жағдайда дереу авторландырылған сервистік орталыққа жүгіну керек.







Hergestellt für «Ruste GmbH»,
Berggasse 18/18, 1090 Wien,
Österreich

Produced for «Ruste GmbH»,
Berggasse 18/18, 1090 Vienna, Austria

Изготовлено по заказу Русте Гмбх,
Бергассе 18/18, 1090 Вена, Австрия

Уполномоченное изготовителем
лицо: ООО «Грантэл»
143912, МО, г. Балашиха,
ш. Энтузиастов, вл. 1А
т.: +7 (495) 297-50-20,
e-mail: info@brayer.su

Made in China/Произведено в Китае



brayer.ru

