

Instruction manual
Инструкция по эксплуатации

Steam iron BR4151
Паровая станция BR4151



СОДЕРЖАНИЕ

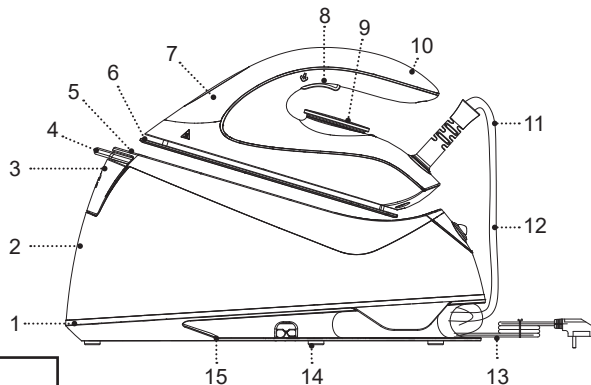
EN.....	3
DE.....	13
RU.....	24
KZ.....	35

STEAM STATION BR4151

The steam station is intended for ironing bedding, clothes and for vertical steaming of fabrics.

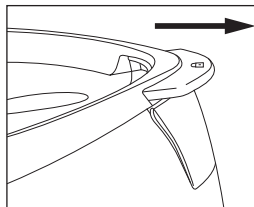
DESCRIPTION

1. Steam station body
2. Water tank
3. Tank lid
4. Iron latch
5. Iron installation place
6. Iron soleplate
7. Light indicator
8. Steam supply button «☺»
9. Temperature control knob
10. Iron handle
11. Steam pipe
12. On/Off button
13. Power cord
14. Support legs
15. The place of steam tube winding

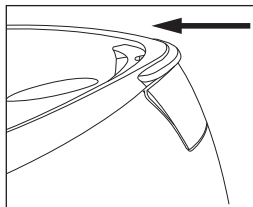


ATTENTION!

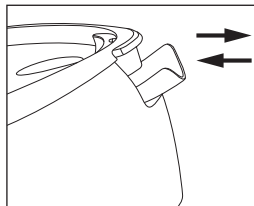
For additional protection it is reasonable to install a residual current device (RCD) with nominal operation current not exceeding 30 mA, to install RCD, contact a specialist.



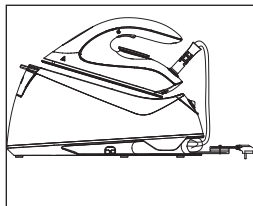
Pic. 1



Pic. 2



Pic. 3



Pic. 4

SAFETY MEASURES AND OPERATION RECOMMENDATIONS

Read the operation instructions carefully before using the steam station, after reading keep them for future reference.

- Use the steam station for its intended purpose only, as specified in this manual.
- Mishandling the unit can lead to its breakage and cause harm to the user or damage to the user's property, which is not covered by warranty.
- Make sure that the operating voltage of the steam station indicated on the label corresponds to your home mains voltage.
- The power cord is equipped with a «euro-plug»; insert it into a socket that has a reliable grounding connection.
- To avoid fire, do not use adapters for connecting the unit to the mains.
- To avoid mains overloading, do not switch on several electrical appliances with high power consumption at the same time.
- Do not touch the unit body, the power cord and the power plug with wet hands.
- Place the steam station on a flat steady surface. If you want to place the steam station on the ironing board, make sure that the ironing board is reliable and steady.
- Do not let the power cord be on the ironing board and touch hot surfaces and sharp edges of furniture.
- Do not use the unit near heating appliances, heat sources or open flame.
- Do not use the unit in proximity to the kitchen sink, in bathrooms, near swimming pools or other containers filled with water.
- If the unit is dropped into water, unplug it immediately, and only then you can take the unit out of water. Apply to the authorized service center for testing or repairing the unit.
- Do not use the unit in places where aerosols are used or sprayed, and in proximity to highly inflammable liquids, do not use the unit in the places where such liquids are stored.
- Do not use the unit outdoors.
- It is recommended not to use the unit during lightning storms.
- Protect the unit from impacts, falling, vibrations and other mechanical stress.
- Do not leave the unit unattended. During breaks between operation place the iron on the steam station body in the iron installation place.
- Always switch off and unplug the unit when you do not use it.
- Fill the tank with water additionally cleaned with a domestic filter.
- Do not fill the water tank with carbonated water, scented liquids, vinegar, starch solution, descaling reagents, chemical agents etc.

- Make sure that the water level in the tank is not above the maximal mark «MAX».

ATTENTION! The surfaces of the steam station and the iron heat up during operation. Avoid contact of open skin areas with hot surfaces of the unit or outgoing steam to avoid burns.

- Do not direct the outgoing steam at people or animals, plants or furniture pieces which can be damaged by hot steam and moisture.
- To avoid damaging the soleplate be very careful when ironing clothes with metal zippers or buttons.
- Never steam clothes directly on a person, always use a clothes hanger or a stand.
- Do not use the power cord as a carrying handle for the unit.
- Switch the steam station off and unplug it after the use or before cleaning.
- When unplugging the steam station, hold the power plug and carefully remove it from the mains socket, do not pull the power cord, as this can lead to its damage and cause a short circuit.
- To avoid electric shock, do not immerse the steam station, the power cord and the plug into water or any other liquids.
- Before taking the unit away, let it cool down completely and pour out the remaining water.
- Clean the unit regularly.
- For child safety reasons do not leave polyethylene bags used as packaging unattended.

Attention! Do not allow children to play with polyethylene bags or packaging film. **Danger of suffocation!**

- The unit is not intended for usage by children.
- Do not leave children unattended to prevent using the unit as a toy.
- Do not allow children to touch the operating surface, the unit body, the power cord or the power plug during operation of the unit.
- Be especially careful if children or disabled persons are near the operating unit.
- During the unit operation and breaks between operation cycles, place the unit out of reach of children.
- The unit is not intended for usage by physically, sensory, psychically or mentally disabled persons (including children) or by persons lacking experience or knowledge if they are not under supervision of a person who is responsible for their safety or if they are not instructed by this person on the usage of the unit.
- Before using the unit, examine the power cord and the steam pipe closely and make sure that they are not damaged. If you find that the power cord, the plug or the steam pipe are damaged, do not use the unit.
- From time to time check the power cord insulation integrity.

- If the power cord is damaged, it should be replaced by the manufacturer, a maintenance service or similar qualified personnel to avoid danger.
- Do not repair the unit by yourself. Do not disassemble the unit by yourself, if any malfunction is detected, and after the unit was dropped, unplug it and apply to the service center.
- To avoid damages, transport the unit in the original package.
- Keep the unit in a dry cool place out of reach of children and disabled persons.

THE UNIT IS INTENDED FOR HOUSEHOLD USE ONLY, DO NOT USE THE UNIT FOR COMMERCIAL OR LABORATORY PURPOSES.

BEFORE THE FIRST USE

After the unit's transportation or storage at negative temperature, unpack it and wait for at least 3 hours before using.

- Unpack the steam station and remove any packaging materials and advertising stickers.
- If there is a protective film on the soleplate (6), remove it.
- There may be water residue in the tank (2), as the steam station has undergone factory quality control.
- Keep the original package.
- Read the safety measures and operating recommendations.

- Check the delivery set.
- Examine the unit for damages, in case of damage do not plug it into the mains.
- Make sure that specified specifications of power supply voltage of the unit correspond to the specifications of your mains. When using the unit in the mains with 60 Hz frequency, the unit does not need any additional settings.
- Remove the iron from the body of the steam station (1), to do this, unlock the latch (4) (Fig. 1) and remove the iron.
- Clean the steam station body (1) and the iron soleplate (56) with a slightly damp cloth, then wipe it dry.

WATER SELECTION

- Use tap water to fill the water tank (2).
- We recommend to fill the tank (2) with water additionally cleaned with domestic filters.
- If tap water is hard, it is recommended to mix it with distilled water in proportion 1:1. If tap water is too hard, mix it with distilled water in proportion 1:2 or use distilled water only.

FILLING THE WATER TANK

ATTENTION! Before filling the water tank (2) with water make sure that the iron is switched off and unplugged.


- Grasp the lid (3) and open the filling hole of the water tank (2) (Fig. 3).





- Pour water into the tank (2) through the filling hole, close the lid (3) (Fig. 3).

Notes:

- do not let water go over the «MAX» mark when filling the water tank (2);
- if you need to refill water during ironing, switch the unit off and disconnect the power plug (13) from the mains socket.

IRONING TEMPERATURE

- Before ironing check the recommended ironing temperature indicated on the tag.
- If the item label is marked with the symbol , do not iron the item.
- If there is no label on the clothes item, but you know the type of fabric, refer to the following table to determine the proper temperature.

Fabric composition		
Linen	«MAX»	
Cotton	«***»	
Wool	«**»	
Synthetics	«*»	

- This table is only valid for smooth materials.
- Fabrics of other types (crimped, raised, etc.) are best ironed at low temperature.
- Sort items by ironing temperature first: synthetics with synthetics, wool with wool, cotton with cotton.
- The soleplate (6) heats up faster than it cools down, that's why you should start ironing with synthetics, then increase the temperature and iron silk and wool items. Cotton and linen items should be ironed last.
- If an item is made of mixed fabrics, set the lowest ironing temperature. For instance, if an item is made from polyester and cotton, set the ironing temperature for synthetics «*».
- If you cannot define the fabric structure, find a place that is inconspicuous while wearing and select the ironing temperature experimentally (always start with the lowest temperature and raise it gradually until you get the desired result).
- Corduroy and other fabrics that can become glossy should be ironed backside.

STEAM IRONING

- To avoid appearance of glossy spots on synthetic or silk fabrics, iron them backside.
- You can iron woolen clothes on the right side, but it is recommended to use a damp gauze or ironing net.
- Install the steam station on a flat, stable, heat and moisture resistant surface so that the device is at the same level with your ironing board, if you put the

steam station on an ironing board, make sure that the ironing board is secure and stable.

- Steam ironing is possible only if the temperature control knob (7) is set to the steam mode «***», «MAX».
- Switch the iron on by pressing the on/off button (12), the iron will switch on and the light indicator (7) will start flashing.
- Place the iron on the steam station body (1) in the iron installation place (4).
- Insert the power plug (10) into a mains socket.
- Make sure that there is enough water in the water tank (2).
- Turn the knob (7) to set the required ironing temperature in the steam operation zone «***», «MAX».
- Switch the iron on by pressing the on/off button (12), the iron will switch on and the light indicator (7) will start flashing.
- Once the soleplate (5) temperature reaches the set one, the indicator (12) will glow constantly, you can start ironing.
- During the operation hold the iron by the handle (8).
- To switch the steam supply on, press the steam supply button (6) «☁», for constant steam supply, press and hold the button (6), to switch the steam supply off, release the button (6).
- Before starting work, you need to release some steam, because condensate may accumulate in the

steam pipe (9), to do this, press the steam supply button (8) «☁», directing the steam, for example, onto a kitchen towel, drops of water and steam will come out of the holes of the iron soleplate (6).

Notes:

- when the unit is switched on for the first time a foreign smell can appear - it is normal and is not covered by warranty;
- each time you press the steam supply button (8) «☁», the pump is switched on, the operation of which is accompanied by a characteristic sound;
- when the water in the tank (2) runs out, the pump sound will be much louder, turn off the device by pressing the on/off button (12), unplug the power cord (13), open the lid (3) (Fig. 3) pour water into the tank (2), close the lid (3) (Fig. 3), turn on the device and continue working;
- during operation, the steam pressure may change slightly, since with prolonged vaporization the water temperature in the steam chamber decreases by several degrees, if you take a short break in operation, then the steam pressure will automatically recover;
- make sure that the steam pipe (11) doesn't bend and twist during the operation.
- During breaks and after operation place the iron on the steam station body (1) in the iron installation


place (5), you can put the iron on its base on a stable surface.

- After you finish using the iron, set the temperature control knob (9) to the position «MIN», press the on/off button (12).

Note: Before switching the iron off, wait for a while until the steam from the holes of the soleplate (6) has stopped, otherwise, when the unit is switched on again, drops of steam or water will be emitted from the soleplate (6).

- Disconnect the power plug (13) from the mains socket and wait until the iron soleplate (6) cools down completely.

VERTICAL STEAMING


- Vertical steaming of fabrics or interior objects can be performed only in the high temperature ironing mode. Set the temperature control knob (9) to the positions «***» or «MAX».
- Hold the iron vertically at a distance of 5-20 cm from clothes or interior items and press the steam supply button (8) «», for constant steam supply press and hold the button (8), steam will intensively come out of the holes of the iron soleplate (6), to turn off steam, release the button (8).

ATTENTION!

- Do not direct outgoing steam at people, animals, plants or objects in the room which can be damaged by hot steam and moisture.

- Do not steam synthetic materials as they may be damaged due to the high temperature of the outgoing steam.
- After vertical steaming iron the clothes item several times without steaming.
- Do not steam clothes on a person. Use a clothes hanger or a coat rack.
- After you finish vertical steaming, put the iron on the steam station body (1) in the iron installation place (5), wait for a while until the steam stops coming out of the holes of the soleplate (6), press the on/off button (12), remove the power plug (13) from the mains socket and wait until the iron soleplate (6) has completely cooled down.

AUTOMATIC SWITCH OFF




- If you do not press the steam supply button (8) «» for 10 minutes, the steam station will switch to standby mode, to exit standby mode, press the on/off button (12) and wait for the bottom of the iron (6) to heat up to the set temperature.

STEAM CHAMBER CLEANING

- To prolong the life of the steam station and maintain good steam performance, use the descaling function once every 2 weeks.
- Use the descaling function more often in the regions with «hard» tap water.

1. Make sure that the power plug (10) is not inserted into the mains socket.
2. Grasp the lid (3) and open the filling hole of the water tank (2) (Fig. 3) fill the tank (2) to the maximum water level «MAX».

Note: do not pour vinegar or any other descaling agents into the tank (2).

3. Set the temperature control knob (9) to the position.
4. Connect the power plug (13) into a mains socket, press the on/off button (12), the iron will switch on and the light indicator (7) will flash. When the iron soleplate (6) reaches the set temperature, the indicator (7) will glow constantly.
5. Place the iron horizontally over the sink, press and hold the steam supply button (8) «», and the sound of the running pump will be heard.
6. After 45-60 seconds, release the steam supply button «» (8), set the temperature controller (9) to the «••» position and wait for the bottom of the iron to heat up (6). Repeat the cleaning process described in paragraph «5».
7. After 45-60 seconds, release the steam supply button «» (8), set the temperature controller (9) to the «Max» position and wait for the bottom of the iron to heat up (6). Repeat the cleaning process described in paragraph «5».

8. Turn off the device by pressing the on/off button (12) and unplug the power cord (13) from the electrical outlet, wait for the iron to cool down.

CLEANING AND MAINTENANCE

- Before cleaning the steam station make sure that it is switched off and the iron is cold and the power plug is not connected to the mains socket.
- Wipe the steam station body (1) and the iron with a slightly damp cloth, and then wipe them dry.
- You can remove the mineral deposit from the iron soleplate (6) with a cloth soaked in table vinegar.
- Do not use abrasives or solvents to clean the steam station body (1), the iron body and the soleplate (6).
- Avoid contact of the iron soleplate (6) with sharp metal objects, as well as with metal buttons, zippers etc.
- Do not immerse the steam station body (1), the iron, the power cord and the power plug (13) into water or any other liquids.

STORAGE

- Before taking the steam station away for storage drain the remaining water from the water tank (2) and clean the steam station body (1) and the iron.
- Set the temperature control knob (9) to the position «MIN».
- Install the iron on the body of the steam station (1) and press the latch (4) (Fig. 2).

- The steam hose can be placed at the winding place (15) (Fig. 4).
- Keep the unit in a dry cool place out of reach of children and disabled persons.

DELIVERY SET

1. Steam station – 1 pc.
2. Instruction manual – 1 pc.

TECHNICAL SPECIFICATIONS

- Power supply: 220-240 V, ~ 50/60 Hz
- Rated input power: 2400 W
- Water tank capacity: 1.5 l
- Continuous steam: up to 80 g/min
- Pressure in the steam chamber – up to 4 bar

RECYCLING



To prevent possible damage to the environment or harm to the health of people by uncontrolled waste disposal, after expiration of the service life of the unit or the batteries (if included), do not discard them with usual household waste, take the unit and the batteries to specialized stations for further recycling.

The waste generated during the disposal of products is subject to mandatory collection and consequent disposal in the prescribed manner.

For further information about recycling of this product apply to a local municipal administration, a household waste disposal service or to the shop where you purchased this product.

The manufacturer reserves the right to change the design, structure and specifications not affecting general operation principles of the unit, without prior notice.

The unit operating life is 3 years

The manufacturing date is specified in the serial number.

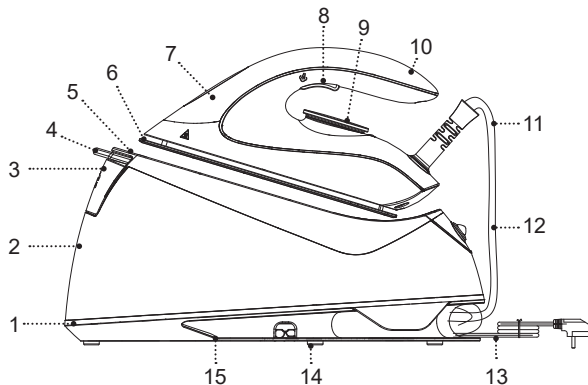
In case of any malfunctions, it is necessary to apply promptly to the authorized service center.

DAMPFBÜGELSTATION BR4151

Dampfbügelstation für Wäsche und Textilien mit
Vertikal-Dampf-Funktion.

BESCHREIBUNG

1. Gehäuse der Dampfbügelstation
2. Wassertank
3. Deckel des Behälters
4. Halterung des Bügeleisens
5. Stellplatz für Bügeleisen
6. Bügelsole
7. Kontrolleuchte
8. Dampfstoß-Taste (Spray-Taste) «☁»
9. Temperatur-Drehregler
10. Griff Bügeleisen
11. Dampfrohr
12. Ein-/Ausschalttaste
13. Netzschur
14. Fussstützen
15. Aufwickelstelle des Dampfrohrs



ACHTUNG!

Als zusätzlicher Schutz ist es zweckmäßig, den FI-Schalter mit Nennstrom maximal bis 30 mA im Stromversorgungskreis aufzustellen; wenden Sie sich dafür an einen Spezialisten.

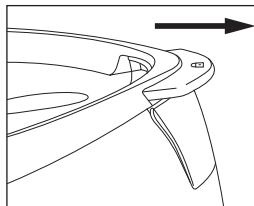


Abb. 1

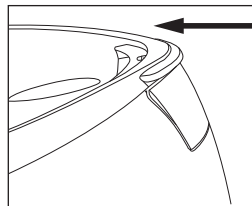


Abb. 2

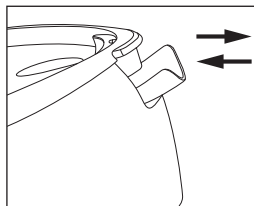


Abb. 3

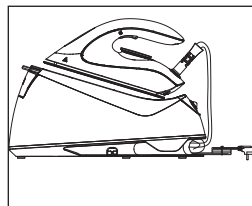


Abb. 4

SICHERHEITSHINWEISE UND BEDIENUNGSANLEITUNG

Vor der ersten Benutzung der Dampfbügelstation die Betriebsanleitung sorgfältig lesen und diese für späteres Nachschlagen aufbewahren.

- Die Dampfbügelstation nur für den vorgesehenen Anwendungszweck, wie es in dieser Betriebsanleitung dargelegt ist, gebrauchen.
- Die Garantie für das Gerät erlischt bei dessen unsachgemässer Handhabung, wobei das zur Schädigung der Dampfbügelstation und Schadensverursachung im Rahmen deren Benutzung für Betreiber bzw. sein Vermögen führen kann.
- Überprüfen Sie, ob die auf dem Etikett angegebene Spannung der Dampfbügelstation mit Ihrer Netzspannung übereinstimmt.
- Das Netzkabel ist mit einem Schuko-Stecker ausgestattet; stecken Sie diesen in die Steckdose mit sicherer Erdung ein.
- Um eine Brandgefahr zu vermeiden, verwenden Sie keine Adapterstecker, wenn Sie das Gerät an eine Steckdose anschließen.
- Es ist nicht gestattet, mehrere Geräte mit hoher Aufnahmeleistung gleichzeitig einzuschalten, um eine Stromnetzüberlastung zu vermeiden.
- Berühren Sie das Gerätegehäuse, das Netzkabel und den Netzstecker mit nassen Händen nicht.
- Die Dampfbügelstation braucht glatte standsichere Fläche zum Aufstellen, wenn Sie die Dampfbügelstation auf einem Bügelbrett anbringen wollen, überprüfen Sie dieses auf Funktionssicherheit und Standsicherung.
- Achten Sie darauf, dass das Netzkabel auf dem Bügelbrett nicht liegt, sowie heiße Oberflächen und scharfe Möbelkanten nicht berührt.
- Benutzen Sie das Gerät in direkter Nähe von Heizgeräten, Wärmequellen oder offenem Feuer nicht.
- Benutzen Sie das Gerät in der Nähe von Spülbecken, in Badezimmern und neben Schwimmb Becken oder anderen mit Wasser gefüllten Behältern nicht.
- Falls das Gerät ins Wasser gefallen ist, ziehen Sie den Netzstecker aus der Steckdose sofort heraus, erst danach holen Sie das Gerät aus dem Wasser heraus. Wenden Sie sich an einen autorisierten Kundendienst, um das Gerät prüfen oder reparieren zu lassen.
- Das Gerät darf nicht an Orten, an denen Aerosole benutzt oder versprüht werden, und auch in der Nähe von leichtentzündbaren Flüssigkeiten verwendet werden; verwenden Sie das Gerät auch nicht an Orten, an denen solche Flüssigkeiten aufbewahrt werden.
- Es ist nicht gestattet, das Gerät draußen zu benutzen.

- Es ist nicht empfohlen, das Gerät bei Gewitter zu benutzen.
- Schützen Sie das Gerät vor Stößen, Stürzen, Vibrationen und anderen mechanischen Einwirkungen.
- Lassen Sie die Einrichtung niemals unbeaufsichtigt. Während der Betriebspausen das Bügeleisen auf den Ständer der Dampfbügelstation abstellen.
- Das ungenutzte Gerät soll nicht am Stromnetz gelassen werden.
- Es ist empfohlen, mit Haushaltsfiltern zusätzlich gereinigtes Wasser in den Behälter einzugießen.
- Gießen Sie kohlensäurehaltiges Wasser, aromatische Flüssigkeiten, Essig, Stärkelösung, Entkalkungsmittel, Chemikalien usw. in den Wasserbehälter nicht ein.
- Achten Sie darauf, dass der Wasserstand im Behälter nicht über der «MAX»-Maximalmarke liegt.

ACHTUNG! Die Flächen der Dampfbügelstation und des Bügeleisens werden während der Arbeit heiss. Zur Vermeidung von Verbrennungen meiden Sie den Kontakt der Haut mit heißen Flächen des Gerätes bzw. heissem Dampf.

- Es ist verboten, den Austrittsdampf auf Menschen, Tiere, Pflanzen und Einrichtungsgegenstände abzulassen, die durch heißen Dampf und Feuchtigkeit geschädigt werden könnten.
- Um eine Beschädigung der Bügelsohle zu vermeiden, beachten Sie besondere Vorsicht beim

Bügeln der Kleidungsstücke mit Knöpfen bzw. Reissverschlüssen aus Metall.

- Es ist verboten, die an einer Person angezogene Kleidung zu dämpfen, hängen Sie Kleidung immer nur an einen Kleiderbügel oder einen Kleiderrechen.
- Es ist verboten, die Netzschnur der Vorrichtung als Tragegriff zu benutzen.
- Die Dampfbügelstation vom Netz nehmen, während man die Netzschnur nach dem Einsatz des Gerätes oder vor dessen Reinigung zieht.
- Beim Abschalten der Dampfbügelstation den Netzstecker sorgfältig aus der Steckdose ziehen, die Netzschnur nicht ausdenen – das kann zu ihrer Schädigung und Kurschluss bringen.
- Zur Vermeidung elektrischen Schlages niemals die Dampfbügelstation, Netzschnur in Wasser oder andere Flüssigkeiten tauchen.
- Vor dem Wegstellen des Gerätes lassen Sie es immer zuerst abkühlen und die Wasserreste abfließen.
- Reinigen Sie das Gerät regelmäßig.
- Aus Kindersicherheitsgründen lassen Sie die als Verpackung verwendeten Plastiktüten nie ohne Aufsicht.

Achtung! Lassen Sie Kinder mit Plastiktüten oder Verpackungsfolien nicht spielen. **Erstickungsgefahr!**

- Das Gerät ist nicht für Kinder bestimmt.
- Beaufsichtigen Sie Kinder, damit sie das Gerät als Spielzeug nicht benutzen.
- Lassen Sie Kinder die Arbeitsfläche, das Gerätegehäuse, das Netzkabel oder den Netzstecker während des Gerätebetriebs nicht berühren.
- Besondere Vorsichtsmaßnahmen sind in den Fällen angesagt, wenn sich Kinder oder behinderte Personen während des Gerätebetriebs in der Nähe aufhalten.
- Während des Betriebs und der Pausen zwischen den Betriebszyklen stellen Sie das Gerät an einen für Kinder unzugänglichen Ort auf.
- Das Gerät ist für Personen (darunter Kinder) mit Körper-, Nerven- oder Geistesstörungen oder Personen ohne ausreichende Erfahrung und Kenntnisse nicht geeignet, es sei denn, sie werden von einer für ihre Sicherheit verantwortlichen Person beaufsichtigt oder sie wurden von dieser Person über die Gerätenutzung unterwiesen.
- Vor dem Gebrauch des Gerätes Netzschnur, Netzstecker, Dampfrohr in Augenschein nehmen, um sich von ihrer Störungsfreiheit zu überzeugen. Wenn Sie jedwede Beschädigungen der Netzschnur, des Netzsteckers oder Dampfrohrs aufgedeckt haben, nehmen Sie das Gerät nicht in Betrieb.
- Prüfen Sie die Netzkabelisolierung periodisch.
- Wenn das Netzkabel beschädigt ist, soll es vom Hersteller, vom Kundendienst oder vom gleichwertig qualifizierten Personal ersetzt werden, um Gefahren zu vermeiden.

- Es ist nicht gestattet, das Gerät selbständig zu reparieren. Es ist nicht gestattet, das Gerät selbständig auseinanderzunehmen; bei der Feststellung jeglicher Beschädigungen, sowie im Sturzfall, trennen Sie das Gerät vom Stromnetz ab und wenden Sie sich an einen Kundendienst.
- Um Beschädigungen zu vermeiden, transportieren Sie das Gerät nur in der Fabrikverpackung.
- Bewahren Sie das Gerät an einem trockenen, kühlen und für Kinder und behinderte Personen unzugänglichen Ort auf.

DAS GERÄT IST NUR FÜR DEN GEBRAUCH IM HAUSHALT GEEIGNET, ES IST VERBOTEN, DAS GERÄT ZU HANDELS- ODER LABORZWECKEN ZU BENUTZEN.

VOR DER ERSTEN NUTZUNG

Packen Sie das Gerät aus und warten Sie mindestens 3 Stunden, bevor Sie es bei einer negativen Temperatur transportieren oder bewahren.

- Die Dampfbügelstation auspacken und alle Verpackungsmaterialien und Werbeaufkleber entsorgen.
- Wenn sich ein Schutzfilm auf der Bügeleisensole (6) befindet, entfernen Sie diesen.
- Im Tank (2) können sich die Wasserreste befinden, weil die Dampfbügelstation in der Produktion der Qualitätskontrolle unterzogen wird.

- Bewahren Sie die Originalverpackung auf.
- Machen Sie sich mit den Sicherheitsmaßnahmen und Bedienungsempfehlungen bekannt.
- Prüfen Sie die Komplettheit.
- Untersuchen Sie das Gerät auf Beschädigungen; wenn es beschädigt ist, schließen Sie es ans Stromnetz nicht an.
- Vergewissern Sie sich, dass die angegebenen Parameter der Versorgungsspannung des Geräts und die Stromnetzparameter übereinstimmen. Beim 60-Hz-Stromnetz-Gerätebetrieb sind keine zusätzlichen Maßnahmen erforderlich.
- Entfernen Sie das Bügeleisen vom Gehäuse der Dampfstation (1), entriegeln Sie dazu die Halterung (4) (Abb. 1) und entfernen Sie das Bügeleisen.
- Das Gehäuse der Dampfstation (1) und Bügelsohle (6) mit einem leicht feuchten Lappen abwischen und danach trocken wischen.

WAHL DES WASSERS

- Füllen Sie den Behälter (2) mit Leitungswasser an.
- Es ist jedoch empfohlen, das mit Haushaltsfiltern zusätzlich gereinigte Wasser in den Bügeleisenbehälter einzugießen.
- Falls das Leitungswasser hart ist, mischen Sie es mit destilliertem Wasser in Verhältnis 1:1. Bei sehr hartem Wasser mischen Sie es mit destilliertem Wasser in Verhältnis 1:2 oder benutzen Sie nur destilliertes Wasser.

AUFFÜLLEN DES WASSERBEHÄLTERS


ACHTUNG! Stellen Sie vor dem Auffüllen des Bügeleisenbehälters (2) mit Wasser sicher, dass das Bügeleisen ausgeschaltet ist und der Netzstecker an die Steckdose nicht angeschlossen ist.





- Fassen Sie den Deckel (3) und öffnen Sie die Einfüllöffnung des Wasserbehälters (2) (Abb. 3).
- Gießen Sie Wasser durch die Einfüllöffnung in den Behälter (2) und schließen Sie den Deckel (3) (Abb. 3).

Anmerkungen:

- gießen Sie Wasser in den Behälter (2) über die «MAX»-Marke nicht ein;
- Wenn es beim Bügeln das Wasser hinzugeben sein soll, so ist das Gerät auszuschalten und die Netzschnur (13) zu ziehen.

BÜGELTEMPERATUR

- Vor dem Bügeln beachten Sie das Etikett des Erzeugnisses, wo die empfohlene Bügeltemperatur angegeben ist.
- Wenn sich das Symbol «» auf dem Etikett befindet, kann dieses Erzeugnis nicht gebügelt werden.
- Wenn das Kleideretikett fehlt, Sie aber den Stofftyp kennen, sehen Sie die Tabelle zum Wählen der Bügeltemperatur ein.

Stofftyp		
Leinen	«MAX»	
Baumwolle	«***»	
Wolle	«**»	
Chemiefaser	«*»	

- Die Tabelle ist nur zum Bügeln von glatten Stoffen verwendbar.
- Wenn der Stoff gaufriert, geriffelt usw. ist, bügeln Sie es am besten bei niedriger Temperatur.
- Zuerst sortieren Sie die Kleidungsstücke nach der Bügeltemperatur aus: Synthefaser zur Synthefaser, Wolle zur Wolle, Baumwolle zur Baumwolle usw.
- Die Bügeleisensole (6) erwärmt sich schneller als es abkühlt, deshalb müssen Sie zuerst synthetische Stoffe bügeln, dann die Temperatur erhöhen und die Seidenstoffe bügeln; Woll-, Baumwoll- und Flachsartikel bügeln Sie zuallerletzt.
- Wenn der Stoff Mischfasern hat, muss die niedrigste Bügeltemperatur eingestellt werden. Wenn der Stoff eines Erzeugnisses beispielsweise aus Polyester und Baumwolle besteht, stellen Sie die Temperatur für Synthefaser auf «*» ein.
- Wenn Sie den Stofftyp nicht feststellen können, finden Sie auf dem Erzeugnis eine beim Tragen

unauffällige Stelle und wählen Sie die Bügeltemperatur versuchsweise (fangen Sie immer mit der niedrigsten Bügeltemperatur an und erhöhen Sie diese allmählich, bis das gewünschte Ergebnis erreicht wird).

- Kord und andere Stoffe, die Glanzflecken bilden können, sollen auf der Rückseite gebügelt werden.

DAMPFBÜGELN

- Zur Vermeidung des Auftretens des speckigen Glanzes auf synthetischen Stoffen oder Seidengeweben, müssen diese auf der Geweberückseite gebügelt werden.
- Die Kleidungsstücke aus Wolle sind auf ihrer Oberseite zu bügeln, es ist aber empfehlenswert, feuchte Gaze bzw. Bügelnetz zu benutzen.
- Stellen Sie die Dampfbugelstation auf glatte standsichere hitze- und feuchtigkeitsbeständige Fläche in gleicher Höhe mit Ihrem Bügelbrett ab und überprüfen Sie dabei, ob die Dampfbugelstation stand- und verfahrenssicher ist.
- Das Dampfbugeln ist bloss bei der Einstellung des Temperaturreglers (9) für den Arbeitsbereich Dampf «***», «MAX» zugelassen.
- Stecken sie die Netzschnur (13) in die Steckdose.
- Überprüfen Sie dabei, ob es im Reservoir (2) genug Wasser gäbe.
- Durch die Drehbewegung des Temperaturreglers (9) wird die erforderliche Bügeltemperatur für den Arbeitsbereich Dampf«***», «MAX» eingestellt.

- Schalten Sie das Bügeleisen ein, während Sie die EIN/AUS-Taste (12) drücken, wobei das Bügeleisen eingeschaltet wird und der Leuchtindikator (7) blinkt.
- Wenn sich die Bügelsohle (6) auf vorgegebene Temperatur erhitzt, so wird der Indikator (7) ständig leuchten und man kann mit dem Bügeln beginnen.
- Während des Betriebes soll das Bügeleisen am Griff gehalten werden (10).
- Für Dampfeinschaltung drücken Sie die Dampfstoßtaste (8) «☁», für ständige Dampfzuführung halten Sie die Taste (8) gedrückt, für Dampfausschaltung lassen Sie die Taste (8) los.
- Vor dem Arbeitsbeginn soll einige Dampfmenge abgelassen werden, weil im Dampfrohr (11) das Kondensat ansammeln kann, dazu soll die Dampfstoßtaste (8) «☁» gedrückt werden, indem der Dampf, z.B., auf das Küchentuch zugeführt wird, Dampf- und Wassertropfen werden aus den Öffnungen an der Bügelsohle (6) abgeführt.

Anmerkungen:

- bei der ersten Einschaltung ist Austritt des fremden Geruchs möglich, das ist eine normale Erscheinung und stellt keine Garantie dar;
- bei jedem Drücken der Dampfstoßtaste (8) «☁» wird die Pumpe eingeschaltet, deren Betrieb durch charakteristischen Ton begleitet wird;
- wenn das Wasser im Behälter (2) abläuft, wird der Klang der Pumpe deutlich lauter, schalten

Sie das Gerät aus, indem Sie die Ein-/Ausschalttaste (12) drücken, ziehen Sie den Netzstecker (13) heraus, öffnen Sie den Deckel (3) (Abb. 3) gießen Sie Wasser in den Behälter (2), schließen Sie den Deckel (3) (Abb. 3), schalten Sie das Gerät ein und fahren Sie mit der Arbeit fort;

- beim Betrieb wird sich der Dampfdruck leichtgradig geändert, weil bei der andauernden Dampfbildung die Wassertemperatur im Dampferzeuger um einige Grade gesunken wird, wenn man eine Betriebspause macht, so wird der Dampfdruck automatisch wiederhergestellt;
- Prüfen Sie, ob während des Betriebs das Dampfrohr (11) nicht zum Biegen und Überdrehen neigt.
- In den Betriebspausen und nach Beendigung der Arbeit das Bügeleisen auf den Stellplatz für Bügeleisen (5) der Dampfbugelstation (1) abstellen, man darf das Bügeleisen-Sohle auf standsichere Fläche abstellen.
- Nach der Benutzung des Bügeleisens stellen Sie den Temperaturregler (7) in Position «MIN» ein, drücken Sie die EIN/AUS-Taste (12).

Anmerkung: vor der Abschaltung des Bügeleisens warten Sie eine Weile, bis der Dampfausritt aus den Öffnungen an der Bügelsohle (6) nicht eingestellt wird, sonst können bei der nächsten Einschaltung der Vorrichtung aus der Bügelsohle (6) die Dampf- oder Wassertropfen ausgesprudelt werden.

SENKRECHTES DAMPFEN

- Vertikales Dämpfen von Stoffen und Einrichtungsgegenständen darf nur beim Hochtemperatur-Bügelmodus erfolgen, Stellen Sie den Temperatur-Drehregler (9) in Position «***» oder «MAX» ein.
- Halten Sie das Bügeleisen vertikal 5-20 cm von den Kleidungsstücken bzw. Einrichtungsgegenständen und drücken Sie die Dampfstoßtaste (8) «☁», für andauernde Dampfzuführung halten Sie die Taste (8) gedrückt, der Dampf wird intensiv aus den Öffnungen der Bügelsohle (6) austreten, für Abschaltung der Dampfzuführung lassen Sie die Taste (8) los.

ACHTUNG!

- Lassen Sie den Austrittsdampf auf Menschen, Tiere, Pflanzen und Einrichtungsgegenstände ab, weil diese durch heißen Dampf und Feuchtigkeit geschädigt werden könnten.
- Dämpfen Sie nicht die synthetischen Materialien ab, weil diese wegen hoher Temperaturen des Austrittsdampfs beschädigt werden könnten.
- Nach vertikalem Abdämpfen bügeln Sie das Produkt mehrmals ohne Dampfzuführung.
- Es ist verboten, die an einer Person angezogene Kleidung zu dämpfen, benutzen Sie einen Kleiderbügel oder einen Kleiderrechen.
- Wenn Sie das vertikale Aufdämpfen fertig machen, stellen Sie das Bügeleisen auf den Stellplatz für

Bügeleisen (5) der Dampfbügelstation (1), warten Sie eine Weile, bis nicht der Dampfaustritt auf den Öffnungen der Bügelsohle (6) eingestellt wird, drücken Sie die EIN/AUS-Taste (12), nehmen Sie die Netzschnur (13) aus der Steckdose und warten ab, bis die Bügelsohle (6) vollständig kalt wird.


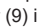
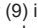
AUTOMATISCHE ABSCHALTUNG

- Wenn Sie die Dampfaste (8) «☁» 10 Minuten lang nicht drücken, wechselt die Dampfstation in den Standby-Betrieb, um den Standby-Betrieb zu verlassen, drücken Sie die Ein-/Ausschalttaste (12) und warten Sie, bis die Bügelsohle (6) auf die eingestellte Temperatur erhitzt wird.

REINIGUNG DER DAMPFKAMMER

- Für Verlängerung der Lebensdauer der Dampfstation und Aufrechterhaltung der guten Dampfleistung, benutzen Sie die Entkalkungsfunktion einmal pro 2 Wochen.
- In den Regionen mit «hartem» Leitungswasser wird die Funktion der Entkalkung meistens benutzt.
 1. Überprüfen Sie, ob der Netzstecker (13) in die Steckdose nicht gesteckt ist.
 2. Fassen Sie den Deckel (3) und öffnen Sie die Einfüllöffnung des Wasserbehälters (2) (Abb. 3) füllen Sie den Behälter (2) bis zum maximalen Wasserstand «MAX».

Anmerkung: es ist verboten, Essig und sonstige beliebige Entkalkungsmittel in Reservoir (2) einzufüllen.

3. Stellen Sie den Temperatur-Drehregler (9) in Position «**» ein.
4. Stecken Sie die Netzschnur (13) in die Steckdose, drücken Sie die EIN/AUS-Taste (12), wobei das Bügeleisen eingeschaltet wird und der Leuchtindikator (7) blinkt, wenn die Bügelsohle (6) auf vorgegebene Temperatur erhitzt wird, wird der Indikator (7) ständig leuchten.
5. Stellen Sie das Bügeleisen horizontal über das Waschbecken, halten Sie die Dampftaste (8) «» gedrückt, um das Geräusch der laufenden Pumpe zu hören.
6. Lassen Sie nach 45 bis 60 Sekunden die Dampftaste «» (8) los, stellen Sie den Temperaturregler (9) in die Position «**» und warten Sie, bis die Bügelsohle (6) erhitzt ist. Wiederholen Sie den in Schritt 5 beschriebenen Reinigungsvorgang.
7. Lassen Sie nach 45 bis 60 Sekunden die Dampftaste «» (8) los, stellen Sie den Temperaturregler (9) in die Position «Max» und warten Sie, bis die Bügelsohle (6) erhitzt ist. Wiederholen Sie den in Schritt 5 beschriebenen Reinigungsvorgang.
8. Schalten Sie das Gerät aus, indem Sie die Ein-/Ausschalttaste (12) drücken und ziehen Sie den Netzstecker (13) aus der Steckdose, warten Sie, bis das Bügeleisen abkühlt.

PFLEGE UND REINIGUNG

- Vor der Reinigung der Dampfbügelstation überzeugen Sie sich, dass diese abgeschaltet ist, das Bügeleisen kalt geworden ist und der Stecker gezogen ist.
- Wischen Sie das Gehäuse der Dampfbügelstation (1) und des Bügeleisens mit einem leicht feuchten Lappen ab, worauf dieses trocken gewischt werden soll.
- Mineralablagerungen auf der Bügeleisensohle (6) können mit einem mit Essig angefeuchteten Tuch entfernt werden.
- Nach der Entfernung der Mineralablagerungen wischen Sie die Sohle (6) mit einem sauberen und trockenen Tuch ab.
- Zur Reinigung des Gehäuses der Dampfbügelstation (1), der Bügelsohle (6) dürfen keine abrasiven Reinigungsprodukte bzw. Lösungsmittel benutzt werden.
- Vermeiden Sie den Kontakt der Bügelsohle (6) mit spitzen und metallischen Gegenständen, sowie mit metallischen Knöpfen und Reissenverschlüssen etc..
- Es ist verboten, das Gehäuse der Dampfbügelstation (1), das Bügeleisen, die Netzschnur und den Netzstecker (13) in Wasser oder andere Flüssigkeiten zu tauchen.

AUFBEWAHRUNG

- Vor der Lagerung der Dampfbügelstation die Wasserreste aus dem Reservoir (2) abfließen lassen und die Reinigung des Gehäuses der Dampfbügelstation (1) und Bügeleisens durchführen.

- Stellen Sie den Temperaturregler (9) auf «MIN».
- Stellen Sie das Bügeleisen auf das Gehäuse der Dampfstation (1) und drücken Sie auf die Halterung (4) (Abb. 2).
- Der Dampfschlauch kann an die Aufwickelstelle (15) gestellt werden (Abb. 4).
- Das Gerät an einem trockenen kühlen Ort, unzugänglich für Kinder und Menschen mit beschränkten körperlichen, sensorischen oder intellektuellen Fähigkeiten lagern.

LIEFERUMFANG

1. Dampfbügelstation – 1 Stk.
2. Bedienungsanleitung – 1 Stk.

TECHNISCHE EIGENSCHAFTEN

- Stromversorgung: 220-240 V, ~ 50/60 Hz
- Nennleistungsaufnahme: 2400 W
- Fassungsvermögen des Wasserbehälters: 1.5 l
- Dauerdampf: bis zu 80 g/min
- Pumpendruck – mit max. 4 Bar

ENTSORGUNG



Um möglichen Schaden für die Umwelt oder die menschliche Gesundheit durch unkontrollierte Abfallentsorgung zu vermeiden, entsorgen Sie das Gerät und die Batterien (falls mitgeliefert) nach Beendigung ihrer Nutzungsdauer

zusammen mit gewöhnlichen Haushaltsabfällen nicht, sondern geben Sie das Gerät und die Batterien in die Spezialpunkte für weitere Verwertung über.

Die bei der Entsorgung der Erzeugnisse entstehenden Abfälle sind unbedingt zu sammeln und weiter ordnungsmäßig zu verwerten.

Mehrere Informationen zur Entsorgung dieses Produkts erhalten Sie bei Ihrer lokalen Stadtverwaltung, einem Abfallentsorgungsdienst oder beim Geschäft, wo Sie dieses Produkt gekauft haben.

Der Hersteller behält sich das Recht vor, das Design, die Konstruktion und die das gemeine Gerätebetriebsprinzip nicht beeinflussenden technischen Eigenschaften ohne Vorbenachrichtigung zu verändern.

Die Gerätenutzungsdauer beträgt 3 Jahre

Das Herstellungsdatum ist in der Fabrikationsnummer angegeben.

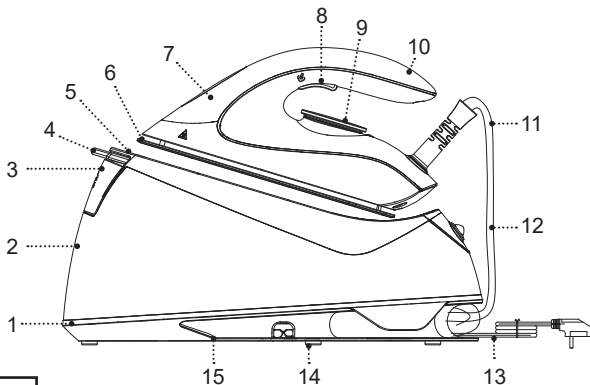
Bei Störungsfeststellung wenden Sie sich baldigst an einen autorisierten Kundendienst.

ПАРОВАЯ СТАНЦИЯ BR4151

Паровая станция предназначена для глажения белья, одежды и вертикального отпаривания тканей.

ОПИСАНИЕ

1. Корпус паровой станции
2. Резервуар для воды
3. Крышка резервуара
4. Фиксатор утюга
5. Место установки утюга
6. Подошва утюга
7. Световой индикатор
8. Клавиша подачи пара «☁»
9. Регулятор температуры
10. Ручка утюга
11. Паровая трубка
12. Кнопка включения/выключения
13. Шнур питания
14. Опорные ножки
15. Место намотки паровой трубки



ВНИМАНИЕ!

Для дополнительной защиты в цепи питания целесообразно установить устройство защитного отключения (УЗО) с номинальным током срабатывания, не превышающим 30 мА, для установки УЗО обратитесь к специалисту.

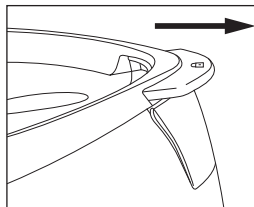


Рис. 1

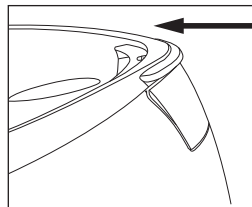


Рис. 2

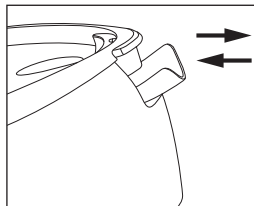


Рис. 3

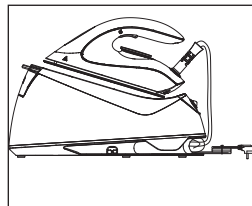


Рис. 4

МЕРЫ БЕЗОПАСНОСТИ И РЕКОМЕНДАЦИИ ПО ЭКСПЛУАТАЦИИ

Перед использованием паровой станции внимательно ознакомьтесь с руководством по эксплуатации, после прочтения сохраните его для использования в будущем.

- Используйте устройство только по его прямому назначению, как изложено в данной инструкции.
- Неправильное обращение с паровой станцией может привести к её поломке, причинению вреда пользователю или его имуществу и не является гарантийным случаем.
- Убедитесь, что рабочее напряжение устройства, указанное на этикетке, соответствует напряжению электросети вашей квартиры.
- Шнур питания снабжён «евровилкой»; включайте её в электрическую розетку, имеющую надёжный контакт заземления.
- Во избежание риска возникновения пожара не используйте переходники при подключении устройства к электрической розетке.
- Во избежание перегрузки электрической сети не включайте одновременно несколько устройств с большой потребляемой мощностью.
- Не прикасайтесь к корпусу устройства, к шнуру питания и к вилке шнура питания мокрыми руками.

- Устанавливайте паровую станцию на ровную, устойчивую поверхность, если вы решили установить паровую станцию на гладильную доску, убедитесь в её надёжности и устойчивости.
- Следите, чтобы шнур питания не находился на гладильной доске, не касался горячих поверхностей и острых кромок мебели.
- Не используйте устройство в непосредственной близости от нагревательных приборов, источников тепла или открытого пламени.
- Не используйте устройство вблизи от кухонной раковины, в ванных комнатах, около бассейнов или других ёмкостей, наполненных водой.
- Если устройство упало в воду, немедленно выньте вилку шнура питания из электрической розетки, и только после этого можно достать устройство из воды. Обратитесь в сервисный центр для осмотра или ремонта устройства.
- Запрещается использовать устройство в местах, где используются или распыляются аэрозоли, а также вблизи от легковоспламеняющихся жидкостей, запрещается использовать устройство в местах хранения таких жидкостей.
- Запрещается использовать устройство вне помещений.
- Не рекомендуется использовать устройство во время грозы.
- Оберегайте устройство от ударов, падений, вибраций и иных механических воздействий.

- Не оставляйте устройство без присмотра. Во время перерывов в работе устанавливайте утюг корпус паровой станции в место установки утюга.
- Обязательно выключайте паровую станцию и вынимайте вилку шнура питания из электрической розетки, если вы им не пользуетесь.
- Рекомендуется заливать в резервуар воду, прошедшую дополнительную очистку бытовыми фильтрами.
- Запрещается заливать в резервуар для воды газированную воду, ароматизирующие жидкости, уксус, раствор крахмала, реагенты для удаления накипи, химические вещества и т.п.
- Следите, чтобы уровень воды в резервуаре был не выше максимальной отметки «MAX».

ВНИМАНИЕ! Поверхности паровой станции и утюга нагреваются во время работы. Чтобы избежать ожогов, избегайте контакта открытых участков кожи с горячими поверхностями паровой станции или выходящим паром.

- Запрещается направлять выходящий пар на людей или животных, растения или на предметы интерьера, которые могут быть повреждены горячим паром и влагой.
- Во избежание повреждения подошвы утюга, соблюдайте осторожность при глажении вещей с металлическими пуговицами или металлическими молниями.

- Запрещается отпаривать одежду непосредственно на теле человека, всегда вешайте одежду на плечики или вешалку.
- Запрещается использовать шнур питания в качестве ручки для переноски паровой станции.
- Отключайте устройство и вынимайте вилку шнура питания после использования паровой станции или перед его чисткой.
- При отключении устройства от электрической сети держитесь за вилку шнура питания и аккуратно выньте её из электрической розетки, не тяните за шнур питания – это может привести к его повреждению и вызвать короткое замыкание.
- Чтобы избежать поражения электрическим током, не погружайте паровую станцию, шнур питания и вилку шнура питания в воду или любые другие жидкости.
- Прежде чем убрать паровую станцию, дайте ей полностью остыть и слейте остатки воды.
- Регулярно проводите чистку устройства.
- Из соображений безопасности детей не оставляйте полиэтиленовые пакеты, используемые в качестве упаковки, без надзора.

Внимание! Не разрешайте детям играть с полиэтиленовыми пакетами или упаковочной плёнкой.
Опасность удушья!

- Устройство не предназначено для использования детьми.
- Осуществляйте надзор за детьми, чтобы не допустить использования устройства в качестве игрушки.
- Не разрешайте детям прикасаться к рабочей поверхности, к корпусу устройства, к шнуру питания или к вилке шнура питания во время работы устройства.
- Будьте особенно внимательны, если поблизости от работающего устройства находятся дети или лица с ограниченными возможностями.
- Во время работы и в перерывах между рабочими циклами размещайте устройство в местах, недоступных для детей.
- Прибор не предназначен для использования лицами (включая детей) с пониженными физическими, сенсорными, психическими или умственными способностями, или при отсутствии у них опыта или знаний, если они не находятся под контролем или не проинструктированы лицом, ответственным за их безопасность, об использовании прибора.
- Перед использованием устройства, внимательно осмотрите шнур питания, вилку шнура питания, паровую трубку и убедитесь в том, что они не повреждены. Если вы обнаружили повреждение шнура питания, вилки шнура питания или паровой трубки, не пользуйтесь устройством.
- Периодически проверяйте целостность изоляции шнура питания.
- При повреждении шнура питания его замену, во избежание опасности, должны производить изготовитель, сервисная служба или подобный квалифицированный персонал.
- Запрещается самостоятельно ремонтировать устройство. Не разбирайте устройство самостоятельно, при возникновении любых неисправностей, а также после падения устройства отключите его от электросети и обратитесь в сервисный центр.
- Во избежание повреждений перевозите устройство в заводской упаковке.
- Храните устройство в сухом прохладном месте, недоступном для детей и людей с ограниченными возможностями.

УСТРОЙСТВО ПРЕДНАЗНАЧЕНО ТОЛЬКО ДЛЯ БЫТОВОГО ИСПОЛЬЗОВАНИЯ, ЗАПРЕЩАЕТСЯ ИСПОЛЬЗОВАТЬ УСТРОЙСТВО В КОММЕРЧЕСКИХ ИЛИ ЛАБОРАТОРНЫХ ЦЕЛЯХ.

ПЕРЕД ПЕРВЫМ ИСПОЛЬЗОВАНИЕМ

После транспортировки или хранения устройства при отрицательной температуре распакуйте его и подождите не менее 3 часов перед использованием.

- Распакуйте паровую станцию и удалите все упаковочные материалы и рекламные наклейки.
- При наличии защитной плёнки на подошве паровой станции, (6) снимите её.
- В резервуаре (2) могут быть остатки воды, так как на производстве паровая станция проходила контроль качества.
- Сохраните заводскую упаковку.
- Ознакомьтесь с мерами безопасности и рекомендациями по эксплуатации.
- Проверьте комплектацию.
- Осмотрите устройство на наличие повреждений при наличии повреждений не включайте его в электрическую сеть.
- Убедитесь, что указанные параметры напряжения питания устройства соответствуют параметрам электрической сети. При использовании устройства в электрической сети частотой 60 Гц, никаких дополнительных действий не требуется.
- Снимите утюг с корпуса паровой станции (1), для этого разблокируйте фиксатор (4) (рис. 1) и снимите утюг.
- Протрите корпус паровой станции (1) и подошву утюга (6) слегка влажной тканью, после чего вытрите насухо.

ВЫБОР ВОДЫ

- Для наполнения резервуара (2) используйте водопроводную воду.

- Рекомендуется заливать в резервуар (2) паровой станции воду, прошедшую дополнительную очистку бытовыми фильтрами.
- Если водопроводная вода жёсткая, рекомендуется смешивать её с дистиллированной водой в соотношении 1:1, при очень жёсткой воде смешивайте её с дистиллированной водой в соотношении 1:2 или используйте только дистиллированную воду.

НАПОЛНЕНИЕ РЕЗЕРВУАРА ДЛЯ ВОДЫ

ВНИМАНИЕ! Перед наполнением водой резервуара (2) убедитесь, что вилка шнура питания (13) не вставлена в электрическую розетку.

- Возьмитесь за крышку (3) и откройте заливочное отверстие резервуара для воды (2) (рис. 3).
- Налейте в резервуар (2) воду через заливочное отверстие, закройте крышку (3) (рис. 3).

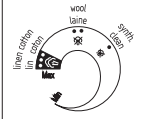





Примечания:

- не наливайте воду в резервуар (2) выше отметки «MAX»;
- если во время глажения необходимо долить воду, отключите паровую станцию и выньте вилку шнура питания (13) из электрической розетки;

ТЕМПЕРАТУРА ГЛАЖЕНИЯ

- Перед глажением вещей смотрите на ярлык изделия, где указана рекомендуемая температура глажения.

- Если на ярлыке изделия есть символ «~~☒~~», то данное изделие гладить нельзя.
- Если на вещи отсутствует ярлык, но вы знаете тип материала, то для выбора температуры глажения смотрите таблицу.

Состав ткани		
Лён	«MAX»	
Хлопок	***	
Шерсть	**	
Синтетика	*	

- Таблица применима только для гладких материалов.
- Если материал гофрированный, рельефный и т.д., то лучше всего его гладить при низкой температуре.
- Сначала отсортируйте вещи по температуре глажения: синтетику – к синтетике, шерсть – к шерсти, хлопок – к хлопку.
- Подошва паровой станции (6) нагревается бы-

стрее, чем остывает, поэтому надо начинать гладить с синтетических тканей, после этого повысить температуру и гладить шёлк, шерсть, изделия из хлопка и льна следует гладить в последнюю очередь.

- Если ткань имеет смесовый состав, то необходимо установить самую низкую температуру глажения, например, если ткань изделия состоит из полиэстера и хлопка, то установите температуру для синтетики «*».
- Если вы не можете определить состав ткани, то найдите на изделии место, которое не бросается в глаза при носке, и опытным путём выберите температуру глажения (всегда начинайте с самой низкой температуры и постепенно повышайте её, пока не добьётесь желаемого результата).
- Вельветовые и другие ткани, которые могут лосниться, следует гладить с изнаночной стороны.

ПАРОВОЕ ГЛАЖЕНИЕ

- Во избежание появления лоснящихся пятен на синтетических или шелковых тканях, их следует гладить с изнаночной стороны.
- Шерстяные вещи можно гладить с лицевой стороны, но рекомендуется использовать влажную марлю или сетку для глажения.
- Установите паровую станцию на ровную, устойчивую, термостойкую и влагостойкую поверхность так, чтобы устройство находилось на одном уровне с вашей гладильной доской, если вы ставите паровую

станцию на гладильную доску, убедитесь в надёжности и устойчивости гладильной доски.

- Паровое глажения возможно только при установке регулятора температуры (9) в зоне работы с паром «•••», «MAX».
- Вставьте вилку шнура питания (13) в электрическую розетку.
- Убедитесь в том, что в резервуаре (2) достаточно воды.
- Поворотом регулятора (9) установите требуемую температуру глажения в зоне работы с паром «•••», «MAX».
- Включите утюг, нажав кнопку включения/выключения (12), при этом утюг включится и световой индикатор (7) будет мигать.
- Когда подошва паровой станции (6) нагреется до заданной температуры, индикатор (7) будет светиться постоянно, можно приступить к глажению.
- Во время работы держите утюг за ручку (10).
- Для включения подачи пара нажимайте клавишу подачи пара (8) «☁», для постоянной подачи пара нажмите и удерживайте клавишу (8), для выключения подачи пара, отпустите клавишу (8).
- Перед началом работы нужно выпустить некоторое количество пара, поскольку в паровой трубке (11) может скапливаться конденсат, для этого нажмите клавишу подачи пара (8) «☁», направив пар, например, на кухонное полотенце, капли воды и пара будут выходить из отверстий подошвы утюга (6).

Примечания:


- при первом включении возможно появление постороннего запаха, это нормальное явление и не является гарантийным случаем;
 - при каждом нажатии клавиши подачи пара (8) «☁», включается помпа, работа которой сопровождается характерным звуком;
 - при окончании воды в резервуаре (2), звук помпы будет значительно громче, выключите устройство, нажав кнопку включения/выключения (12), выньте вилку шнура питания (13), откройте крышку (3) (рис. 3) налейте в резервуар (2) воду, закройте крышку (3) (рис. 3), включите устройство и продолжайте работу;
 - во время работы, давление пара может значительно изменяться, так как при продолжительном парообразовании температура воды в паровой камере снижается на несколько градусов, если сделать небольшой перерыв в работе, то давление пара восстановиться автоматически;
 - следите за тем, чтобы в процессе работы паровая трубка (11) не перегибалась и не перекручивалась.
- В перерывах работы и после окончания работы, ставьте утюг на корпус паровой станции (1) в место установки утюга (5), можно ставить утюг на устойчивую поверхность на его основание.

- После использования утюга установите регулятор температуры (9) в положение «MIN», нажмите кнопку включения/выключения (12).

Примечание: перед выключением утюга подождите некоторое время, пока не прекратиться выход пара из отверстий подошвы утюга (6), иначе при следующем включении устройства из подошвы утюга (6) будут выбрасываться капли пара или воды.

- Выньте вилку шнура питания (13) из электрической розетки и дождитесь полного остывания подошвы (6) паровой станции.

ВЕРТИКАЛЬНОЕ ОТПАРИВАНИЕ

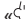
- Вертикальное отпаривание тканей или предметов интерьера может производиться только при высоко-температурном режиме глажения, установите регулятор температуры (9) в положение «***», «MAX».
- Держите утюг вертикально на расстоянии 5-20 см от одежды или предметов интерьера и нажимайте на клавишу подачи пара (8) «», для постоянной подачи пара нажмите и удерживайте клавишу (8), пар будет интенсивно выходить из отверстий подошвы утюга (6), для выключения подачи пара, отпустите клавишу (8).

ВНИМАНИЕ!

- Не направляйте выходящий пар на людей, животных, растения или на предметы интерьера, которые могут быть повреждены горячим паром и влагой.

- Не отпаривайте синтетические материалы, поскольку из-за высокой температуры выходящего пара они могут повредиться.
- После вертикального отпаривания, прогладьте изделие несколько раз без подачи пара.
- Запрещается отпаривать одежду на теле человека, пользуйтесь плечиками или вешалкой.
- Закончив вертикальное отпаривание, поставьте утюг на корпус паровой станции (1) в место установки утюга (5), подождите некоторое время, пока не прекратиться выход пара из отверстий подошвы утюга (6), нажмите кнопку включения/выключения (12), выньте вилку шнура питания (13) из электрической розетки и дождитесь полного остывания подошвы (6) утюга.

АВТОМАТИЧЕСКОЕ ОТКЛЮЧЕНИЕ

- Если вы не нажимаете клавишу подачи пара (8) «» в течение 10 минут, паровая станция перейдёт в дежурный режим работы, для выхода из дежурного режима работы, нажмите кнопку включения/выключения (12) и дождитесь нагрева подошвы утюга (6) до установленной температуры.

ОЧИСТКА ПАРОВОЙ КАМЕРЫ

- Для продления срока службы паровой станции и поддержания хорошей производительности пара, используйте функцию удаления накипи раз в 2 недели.
- В регионах с «жесткой» водопроводной водой, используйте функцию удаления накипи чаще.

1. Убедитесь, что вилка шнура питания (13) не вставлена в электрическую розетку.

2. Возьмитесь за крышку (3) и откройте заливочное отверстие резервуара для воды (2) (рис. 3) наполните резервуар (2) до максимального уровня воды «МАХ».

Примечание: запрещается наливать в резервуар (2) уксус или любые другие средства для удаления накипи.

3. Установите регулятор температуры (9) в положение «•».

4. Вставьте вилку шнура питания (13) в электрическую розетку, нажмите кнопку включения/выключения (12), при этом утюг включится и световой индикатор (7) будет мигать, когда подошва утюга (6) нагреется до заданной температуры, индикатор (7) будет светиться постоянно.

5. Расположите утюг горизонтально над раковиной, нажмите и удерживайте клавишу подачи пара (8) «☁», при этом будет слышен звук работающей помпы.

6. Через 45-60 секунд отпустите клавишу подачи пара «☁» (8), установите регулятор температуры (9) в положение «••» и дождитесь нагрева подошвы утюга (6). Повторите процесс очистки, описанный в пункте «5».

7. Через 45-60 секунд отпустите клавишу подачи пара «☁» (8), установите регулятор температуры (9) в положение «Мах» и дождитесь нагрева подошвы утюга (6). Повторите процесс очистки, описанный в пункте «5».

8. Выключите устройство, нажав кнопку включения/выключения (12) и выньте вилку шнура питания (13) из электрической розетки, дождитесь остывания утюга.

УХОД И ЧИСТКА

- Перед чистой паровой станцией убедитесь, что она выключена и утюг и остыл, а вилка шнура питания (13) не вставлена в электрическую розетку.
- Протрите корпус паровой станции (1) и утюга слегка влажной тканью, после этого вытрите его насухо.
- Минеральные отложения на подошве паровой станции (6) можно удалить тканью, смоченной столовым уксусом.
- После удаления минеральных отложений протрите поверхность подошвы (6) чистой сухой тканью.
- Для чистки корпуса паровой станции (1), корпуса утюга, подошвы утюга (6) не используйте абразивные чистящие средства или растворители.
- Избегайте контакта подошвы паровой станции (6) с острыми металлическими предметами, а также с металлическими пуговицами, молниями и т.п.
- Запрещается погружать корпус паровой станции (1), утюг, шнур питания, вилку шнура питания (13) в воду или любые другие жидкости.

ХРАНЕНИЕ

- Перед тем, как убрать утюг паровую станцию на хранение, слейте остатки воды из резервуара (2) и проведите чистку корпуса паровой станции (1) и утюга.

- Установите регулятор температуры (9) в положение «MIN»
- Установите утюг на корпус паровой станции (1) и нажмите на фиксатор (4) (рис 2).
- Паровой шланг можно поместить на место намотки (15) (рис. 4).
- Храните паровую станцию в сухом прохладном месте, недоступном для детей и людей с ограниченными возможностями.

КОМПЛЕКТ ПОСТАВКИ

1. Паровая станция – 1 шт.
2. Инструкция – 1 шт.

ТЕХНИЧЕСКИЕ ХАРАКТЕРИСТИКИ

- Электропитание: 220-240 В, ~ 50/60 Гц
- Номинальная потребляемая мощность: 2400 Вт
- Объем резервуара для воды: 1,5 л
- Постоянная подача пара: до 80 г/мин
- Давление в паровой камере – до 4 бар

УТИЛИЗАЦИЯ



Чтобы предотвратить возможный вред окружающей среде или здоровью людей от неконтролируемой утилизации отходов, после окончания срока службы устройства или элементов питания (если входят в комплект), не выбрасывайте их вместе с обычными бытовыми отходами, передайте прибор и элементы

питания в специализированные пункты для дальнейшей утилизации.

Отходы, образующиеся при утилизации изделий, подлежат обязательному сбору с последующей утилизацией в установленном порядке.

Для получения дополнительной информации об утилизации данного продукта обратитесь в местный муниципалитет, службу утилизации бытовых отходов или в магазин, где Вы приобрели данный продукт.

Производитель сохраняет за собой право изменять дизайн, конструкцию и технические характеристики, не влияющие на общие принципы работы устройства, без предварительного уведомления.

Срок службы устройства – 3 года

Дата производства указана в серийном номере.

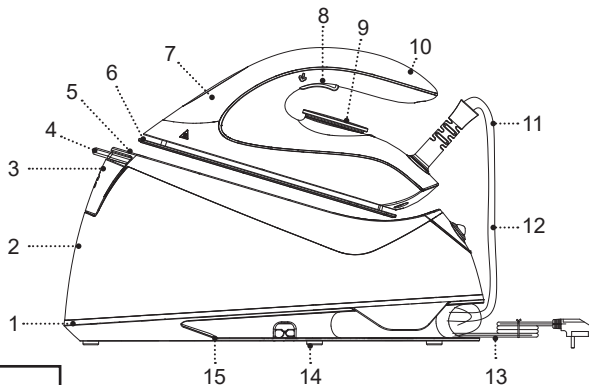
В случае обнаружения каких-либо неисправностей срочно необходимо обратиться в авторизованный сервисный центр.

БУ СТАНЦИЯСЫ BR4151

Үтік киімді, төсек жаймасын үтіктеуге және маталарды вертикаль булауға арналған.

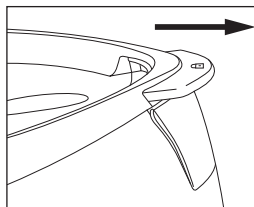
СИПАТТАМАСЫ

1. Бу станциясының корпусы
2. Суға арналған сұйыққойма
3. Сұйыққойма қақпағы
4. Үтік бекіткіші
5. Үтікті орнататын орын
6. Үтік табаны
7. Жарық индикаторы
8. Бу жіберу пернесі «»
9. Температура реттегіші
10. Үтік тұтқасы
11. Бу түтікшесі
12. Қосу/сөндіру батырмасы
13. Қуаттандыру бауы
14. Тірейтін аяқшалар
15. Бу түтігінің оралатын орны

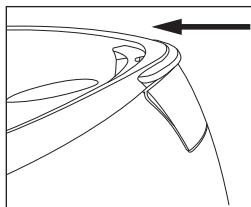


НАЗАР АУДАРЫҢЫЗ!

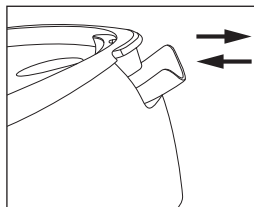
Қосымша қорғаныс үшін қуаттандыру тізбегінде номиналдық іске қосылу тогы 30 мА аспайтын қорғаныс сөндіру құралын (ҚСҚ) орнатқан дұрыс, ҚСҚ-ны орнату үшін маманға жүгініңіз.



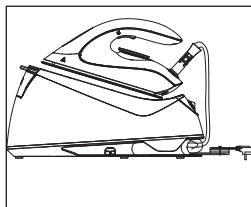
Cyp. 1



Cyp. 2



Cyp. 3



Cyp. 4

ҚАУІПСІЗДІК ШАРАЛАРЫ ЖӘНЕ ПАЙДАЛАНУҒА БЕРУ ЖӨНІНДЕГІ НҰСҚАУЛЫҚ

Бу станциясын пайдалану алдында пайдалануға беру жөніндегі нұсқаулықпен мұқият танысыңыз, оқығаннан кейін, оны болашақта пайдалану үшін сақтап қойыңыз.

- Бу станциясын осы нұсқаулықта көрсетілгендей, тікелей оның тағайыны бойынша ғана пайдаланыңыз.
- Құрылғыны дұрыс қолданбау оның бұзылуына, және пайдаланушыға немесе оның мүлкіне зиян келтіруге әкеп соғуы мүмкін және кепілдік жағдайы болып табылмайды.
- Заттаңбада көрсетілген бу станциясының жұмыс кернеуі, сіздің пәтеріңіздегі электр желісінің кернеуіне сәйкес екеніне көз жеткізіңіз.
- Қуаттандыру бауы «еуроайырма» жабдықталған; оны жерге сенімді қосылған байланысы бар электрлік розеткаға қосыңыз.
- Өрт шығу қаупін болдырмау үшін құралды электр розеткасына қосу кезінде ауыстырғыштарды пайдаланбаңыз.
- Электр желісіндегі жүк шамадан асып кетпеуі үшін көп қуатты тұтынатын бірнеше құралды бір мезгілде қоспаңыз.
- Құрал корпусын, қуаттандыру бауын және қуаттандыру бауының айырын дымқыл қолмен ұстамаңыз.
- Бу станциясын тегіс, орнықты жерге орнатыңыз, егер сіз бу станциясын үтіктеу тақтасына орнатуды шешсеңіз, оның сенімділігі мен орнықтылығына көз жеткізіңіз.
- Қуаттандыру бауының үтіктейтін тақтада жатпауын, ыстық беттермен және жиһаздың үшкір шеттерімен жанаспауын қадағалаңыз.
- Құралды жылыту аспаптарының, ашық оттың немесе жылу көздерінің тікелей жанында пайдалануға болмайды.
- Құралды асүй раковинасына жақын, жуынатын бөлмеде, бассейндер немесе басқа да су толтырылған сыйымдылықтарға жақын жерде пайдалануға болмайды.
- Егер құрал суға құлап кетсе, дереу қуаттандыру бауының айырын электр розеткасынан суырыңыз, содан кейін ғана құралды судан алып шығуға болады. Құралды тексерту немесе жөндеу үшін сервис орталығына жүгініңіз.
- Құралды аэрозольдер пайдаланылатын немесе шашырайтын жерлерде, сондай-ақ тез тұтанатын сұйықтықтарға жақын жерлерде пайдалануға тыйым салынады, мұндай сұйықтықтарды сақтау орындарында құралды пайдалануға тыйым салынады.
- Құралды үй-жайдан тыс жерде пайдалануға тыйым салынады.
- Құралды найзағай кезінде пайдалануға кеңес берілмейді.

- Құралды соққыдан, құлаудан, дірілден және басқа да механикалық әсерлерден сақтаңыз.
- Құралды қараусыз қалдырмаңыз. Жұмыстағы үзілістер кезінде үтікті бу станциясының корпусына үтікті орнату орнына орнатыңыз.
- Егер сіз оны пайдаланбасаңыз, құрылғыны міндетті түрде өшіріп, қуат сымының ашасын электр розеткасынан суырып алыңыз.
- Суқоймаға тұрмыстық сүзгіштен қосымша тазаланған суды құюға кеңес беріледі.
- Суға арналған резервуарға газдандырылған суды, хош иістендіргіш сұйықтықтарды, сірке суы қышқылын, крахмал ерітіндісін, қақтарды жоюға арналған реагенттерді, химиялық заттарды ж.т.б. құюға тыйым салынады.
- Сұйыққоймадағы су деңгейінің «MAX» максималды белгіден асып кетпеуін қадағалаңыз.

НАЗАР АУДАРЫҢЫЗ! Бу станциясы мен үтіктің беттері жұмыс кезінде қызады. Күйіп қалмас үшін терінің ашық жерлерін құрылғының ыстық беттерімен немесе шығатын бумен жанасуын болдырмаңыз.

- Шығатын буды адамдарға немесе жануарларға, өсімдіктерге немесе ыстық бу мен ылғалдан зақымдалуы мүмкін интерьер заттарына жіберуге тыйым салынады.
- Үтіктің табанына зақым келтірмеу үшін заттарды металл түймелері немесе металл сыдырмалары бар нәрселерді үтіктеген кезде абайлық сақтаңыз.

- Адам киіп тұрған киімді буландыруға тыйым салынады, киімді үнемі тек қана ілгішке іліңіз.
- Қуат сымын құрылғыны тасымалдауға арналған тұтқа ретінде пайдалануға тыйым салынады.
- Құрылғыны қолданғаннан кейін немесе оны тазалау алдында бу станциясын өшіріп, қуат баусымының ашасын суырып алыңыз.
- Бу станциясын электр желісінен ажыратқан кезде тек қуат баусымының ашасынан ұстаңыз және оны электр розеткасынан абайлап суырып алыңыз, қуат баусымынан тартпаңыз – бұл оның зақымдануына әкеліп, қысқа тұйықталуын тудыруы мүмкін.
- Электр тогының соғуын болдырмас үшін бу станциясын, қуат баусымын және қуат баусымының ашасын суға немесе басқа да сұйықтықтарға батырмаңыз.
- Құрылғыны алып қоярдан бұрын, оны толығымен суытып, қалған суын төгіңіз.
- Құралды тұрақты түрде тазалап тұрыңыз.
- Балалардың қауіпсіздігі үшін орама ретінде пайдаланылатын полиэтилен пакеттерді қараусыз қалдырмаңыз.

Назар аударыңыз! Балаларға полиэтилен қаптармен немесе қаптамалық үлдірмен ойнауға рұқсат етпеңіз. **Тұншығу қаупі бар!**

- Құрал балалардың пайдалануына арналмаған.
- Құралды ойыншық ретінде пайдалануға жол бермеу үшін балаларды қадағалаңыз.
- Балаларға жұмыс істеп тұрған құралдың жұмыс бетін, құрал корпусын, қуаттандыру бауы немесе қуаттандыру бауының айырын ұстауға рұқсат етпеңіз.
- Егер жұмыс істеп тұрған құралдың маңында балалар немесе мүмкіндіктері шектеулі адамдар болса, онда ерекше назарда болыңыз.
- Жұмыс істеу уақытында және жұмыс циклдері арасындағы үзілістерде құралды балалардың қолы жетпейтін жерге орналастырыңыз.
- Дене, жүйке немесе сана мүмкіндіктері төмендетілген тұлғалардың (балаларды қоса алғанда) немесе оларда тәжірибесі немесе білімі болмаса, егер олар бақыланбаса немесе олардың қауіпсіздігі үшін жауап беретін тұлғамен аспапты пайдалану туралы нұсқаулықтар берілген болмаса, аспап олардың пайдалануына арналмаған.
- Қуаттандыру баудың оқшаулауының бүтіндігін жүйелі түрде тексеріп отырыңыз.
- Ылғыны қолданар алдында қуат баусымын, қуат баусымының ашасын, бу түтікшесін мұқият тексеріп, олардың зақымдалмағанына көз жеткізіңіз. Егер сіз қуат баусымының, қуат баусымы ашасының немесе бу түтікшесінің зақымдалғанын байқасаңыз, құрылғыны пайдаланбаңыз.

- Қуаттандыру бауы зақымданғанда қауіп тудырмау үшін оны дайындаушы, сервистік қызмет немесе баламалы білікті маман ауыстыруы тиіс.
- Құралды өздігіңізден жөндеуге тыйым салынады. Құралды өздігіңізден бөлшектемеңіз, кез- келген ақаулықтар пайда болғанда, сондай-ақ құрал құлаған болса оны электр желісінен ажыратыңыз және сервис орталығына жүгініңіз.
- Құралды зақымдамау үшін тек зауыт қаптамасында тасымалдаңыз.
- Құралды салқын және құрғақ, балалардың және мүмкіндігі шектеулі адамдардың қолы жетпейтін жерде сақтаңыз.

ҚҰРАЛ ТЕК ТҰРМЫСТЫҚ ПАЙДАЛАНУҒА АРНАЛҒАН, ҚҰРАЛДЫ КОММЕРЦИЯЛЫҚ НЕМЕСЕ ЗЕРТХАНАЛЫҚ МАҚСАТТАРДА ПАЙДАЛАНУҒА ТЫЙЫМ САЛЫНАДЫ.

АЛҒАШ РЕТ ПАЙДАЛУ АЛДЫНДА

Құралды кері температурада тасымалдағаннан немесе сақтағаннан кейін оны қаптамадан шығарыңыз және пайдаланудың алдында кемінде 3 сағат күтіңіз.

- Бу станциясын қаптамадан шығарып, барлық қаптама материалдары мен жарнамалық жапсырмаларды алып тастаңыз.

- Үтіктің табанында (6) қорғаныс үлдірі бар болса, оны шешіңіз.
- Сұйыққоймада (2) су қалдықтары болуы мүмкін, өйткені бу станциясы өндірісте сапа бақылауынан өтті.
- Зауыттық қаптамасын сақтап қойыңыз.
- Қауіпсіздік шаралары мен пайдалануға беруге қатысты кеңестермен танысыңыз.
- Жинақталымын тексеріңіз.
- Құралды зақымдануының бар-жоқтығына тексеріп алыңыз, зақымдануы болған жағдайда оны электрлік желіге қосуға болмайды.
- Құралда көрсетілген қуаттандыру кернеуінің параметрлері электр желісінің параметрлеріне сәйкес келетініне көз жеткізіңіз. Құралды 60 Гц жиіліктегі электр желісінде пайдаланған кезде ешқандай қосымша әрекет қажет емес.
- Үтіккі бу станциясының корпусынан (1) шешіп алыңыз, ол үшін бекіткішті (4) (сур. 1) бұғаттан шығарыңыз және үтіккі шешіп алыңыз.
- Бу станциясының корпусын (1) және үтіккіңің табанын (6) сәл дымқыл шүберекпен сүртіңіз, содан кейін құрғатып сүртіңіз.

СУДЫ ТАҢДАУ

- Суқоймасын (2) толтыру үшін суқұбырының суын пайдаланыңыз.
- Бірақ суқоймасына тұрмыстық сүзгіштерден қосымша тазалаудан өткен су құюға кеңес беріледі.

- Егер су құбырындағы су кермек болса, онда оны дистиллирленген сумен 1:1 арақатынасымен араластыруға кеңес беріледі, су өте кермек болса, оны дистиллирленген сумен 1:2 арақатынасымен араластырыңыз немесе тек дистиллирленген суды пайдаланыңыз.

СУҒА АРНАЛҒАН СУҚОЙМАНЫ ТОЛТЫРУ


НАЗАР АУДАРЫҢЫЗ! Суқоймасына (2) су толтырардың алдында, ал қуаттандыру бауының айыры элеткрлік розеткаға (13) салынбағандығына көз жеткізіңіз.

- Қақпақтан (3) ұстаңыз және сұйыққойманың су құюға арналған саңылауын (2) (сур. 3) ашыңыз.
- Сұйыққоймаға (2) су құюға арналған саңылау арқылы су құйыңызқақпақты (3) жабыңыз (сур. 3).





Ескөртпе:

- суқоймаға (2) суды «MAX» белгісінен асырып құймаңыз;
- егер үтіктеу кезінде су қосу қажет болса, құрылғыны өшіріп, қуат баусымының ашасын (13) электр розеткасынан суырып алыңыз.

ҮТІКТЕУ ТЕМПЕРАТУРАСЫ

- Киімдерді үтіктемес бұрын бұйымның үтіктеу температурасы көрсетілген тілшелерге қараңыз.
- Егер бұйым заттаңбасында «» таңбасы болса, онда берілген бұйымды үтіктеуге болмайды.

- Егер үтіктеуге қатысты нұсқаулары бар тілше жоқ болса, бірақ сіз материалдың түрін ажырата алсаңыз, онда температураны таңдау үшін кестеге қараңыз.

Матаның құрамы		
Зығыр	«MAX»	
Мақта	«***»	
Жүн	«**»	
Синтетика	«*»	

- Бұл кесте тек тегіс материалдарға арналған.
- Егер материал гофрленген, кедір-бұдырлы ж.т.б. болса, онда оны төменгі температурада үтіктеген жөн.
- Алдымен киімдерді үтіктеу температурасы бойынша: синтетиканы – синтетикаға, жүнді – жүнге, мақтаны – мақтаға етіп, сұрыптап алыңыз.
- Үтіктің табаны (6) суығанға қарағанда тез қызады, сондықтан синтетикалық матасы бар киімдерді үтіктеп бастау керек, содан кейін температураны кәтеріп, жібек, жүн, мақта мен зығырдан тігілген бұйымдарды артынан үтіктеу керек.
- Егер мата аралас құрамнан тұратын болса, онда үтіктеудің ең төменгі температурасын белгілеу

керек, егер бұйымның матасы полиэстерден және мақтадан жасалған болса, онда синтетикаға арналған «*» температураны белгілеу керек.

- Егер сіз матаның құрамын анықтай алмасаңыз, онда киімнің киген кезде көзге түсе қоймайтын жерін тауып алыңыз да, тәжірибелік жолмен үтіктеу температурасын таңдаңыз (үнемі ең төменгі температурадан бастаңыз да, қалаған нәтижеге қол жеткізбейінше оны көбейте беріңіз).
- Ши барқыт және жылтырауы мүмкін басқа маталарды ішкі жағына қарай аударып үтіктеу керек.

БУМЕН ҮТІКТЕУ

- Синтетикалық немесе жібек маталарда жылтыр дақтардың пайда болуын болдырмау үшін оларды теріс жағынан үтіктеу керек.
- Жүннен жасалған нәрселерді ең жағынан үтіктеуге болады, бірақ үтіктеу үшін дымқыл дәке немесе үтіктеуге арналған торды пайдалану ұсынылады.
- Бу станциясын тегіс, орнықты, ыстыққа және ылғалға төзімді бетке, құрылғы үтіктеу тақтасымен бір деңгейде болатындай етіп орнатыңыз, егер сіз бу станциясын үтіктеу тақтасына қойсаңыз, үтіктеу тақтасының мықтылығына және орнықтылығына көз жеткізіңіз.
- Бумен үтіктеу температура реттегішін (9) бумен жұмыс жасау аймағына «***», «MAX» орнатқан кезде ғана мүмкін болады.

- Қосу/өшіру батырмасын (12) басу арқылы үтікті қосыңыз, бұл жағдайда үтік қосылып, жарық индикаторы (7) жыпылықтайды.
- Жұмыс кезінде үтікті тұтқасынан (8) ұстаңыз.
- Бу жіберуді қосу үшін бу жіберу пернесін (8) «☁» басыңыз, буды тұрақты жіберу үшін пернені (8) басып ұстап тұрыңыз, бу жіберуді өшіру үшін пернені (8) босатыңыз.
- Жұмысты бастау алдында, будың белгілі бір мөлшерін шығару керек, өйткені бу түтігінде (11) конденсация жиналуы мүмкін, ол үшін буды жіберу пернесін (8) «☁» басыңыз, мысалы, ас үй сүлгісіне, су тамшылары мен бу үтік (6) табанының тесіктерінен шығады.

Ескертпелер:

- бірінші рет қосқан кезде бөтен иістің пайда болуы мүмкін, бұл қалыпты жағдай және кепілдік оқиғасы болып табылмайды;
- бу жіберу пернесін (6) «☁» әр басқан сайын, сорғы қосылып отырады, оның жұмысы ерекше дыбыспен сүйемелденеді;
- сұйыққоймадағы (2) су біткеннен кейін, сорғының дыбысы едәуір қаттырақ болады, қосу/өшіру батырмасын (12) басып құрылғыны өшіріңіз, қуат баусымының ашасын (13) суырып алыңыз, қақпақты ашыңыз (3) (сур. 3) сұйыққоймаға (2) су құйыңыз, қақпақты жабыңыз (3) (сурет. 3), құрылғыны қосыңыз және жұмысын жалғастырыңыз;


- жұмыс кезінде бу қысымы аздап өзгеруі мүмкін, өйткені ұзақ уақыт бу түзілу кезінде бу камерасындағы судың температурасы бірнеше градусқа төмендейді, егер жұмыста қысқа үзіліс жасасаңыз, онда бу қысымы автоматты түрде қалпына келеді;
- жұмыс барысында бу түтікшесі (11) бүгілмегеніне және бұралып кетпегенін қадағалаңыз.
- Жұмыс үзілістерінде және жұмыс аяқталғаннан кейін үтікті бу станциясының корпусына (1) үтікті орнату орнына (5) қойыңыз, үтікті оның негізіндегі орнықты бетке қоюға болады.
- Үтікті қолданғаннан кейін температура реттегішін (9) күйіне «MIN» орнатыңыз, қосу/өшіру батырмасын (12) басыңыз.

Ескертпе: үтікті өшірмес бұрын, үтік (6) табанының тесіктерінен будың шығуы тоқтағанша біраз уақыт күтіңіз, әйтпесе құрылғыны келесі рет қосқан кезде үтіктің (6) табанынан бу немесе су тамшылары атқылайды.

- Қуаттандыру бауының айырын электрлік розеткадан (13) шығарыңыз және үтіктің табаны (6) толық суығанға дейін күтіңіз.

ВЕРТИКАЛЬДІ БУЛАУ


- Маталарды немесе интерьер заттарын тігінен буландыру жоғары температуралы үтіктеу режимінде ғана жасалуы мүмкін, температура реттегішін (7) күйіне «***» немесе «MAX» келтіріңіз.

- Үтікті киімнен немесе интерьер заттарынан 5-20 см қашықтықта тік ұстаңыз және бу жіберу пернесін (8) «» басыңыз, буды тұрақты жіберу үшін пернесін (8), басып ұстап тұрыңыз, бу үтік табанының тесіктерінен (6) қатты шығады, бу жіберуді өшіру үшін пернені (8) босатыңыз.

НАЗАР АУДАРЫҢЫЗ!

- Шығатын буды адамдарға, жануарларға, өсімдіктерге немесе ыстық бу мен ылғалдан зақымдалуы мүмкін интерьер заттарына бағыттамаңыз.
- Синтетикалық материалдарды буландырмаңыз, өйткені шығатын будың жоғары температурасына байланысты олар зақымдалуы мүмкін.
- Тігінен буландырғаннан кейін бұйымды бу жібермей, бірнеше рет үтіктеңіз.
- Киімді адамның үстінде булауға тыйым салынады, ілгіш пайдалану керек.
- Тігінен буландыруды аяқтағаннан кейін үтікті бу станциясының корпусына (1) үтікті орнату орнына (5) қойыңыз, үтік табанының тесіктерінен (6) будың шығуы тоқтағанша біраз уақыт күтіңіз, қосу/өшіру батырмасын (12) басыңыз, қуат баусымының ашасын (13) электр розеткасынан суырып алыңыз және үтік табаны (6) толығымен салқындағанша күтіңіз.


АВТОМАТТЫ ТҮРДЕ ӨШІРУ


- Егер сіз 10 минут бойы бу жіберу пернесін (8) «» баспасаңыз, бу станциясы кезекші жұмыс режиміне өтеді, кезекші жұмыс режимінен шығу үшін қосу/өшіру батырмасын (12) басыңыз және үтік табанының (6) белгіленген температураға дейін қызығанын күтіңіз.


БУ КАМЕРАСЫН ТАЗАЛАУ

- Бу станциясының қызмет ету мерзімін ұзарту үшін және бу өндірудің жақсы жұмысын қамтамасыз ету үшін әр 2 апта сайын түрде қақтан тазарту функциясын қолданыңыз.
- Құбыр суы «кермек» аймақтарда түрде қақтан тазарту функциясын жиі қолданыңыз.
 1. Қуат баусымының ашасы (13) электр розеткасына салынбағанына көз жеткізіңіз.
 2. Қақпақтан (3) ұстап, суға арналған сұйыққойманың құятын саңлауын (2) (сур. 3) ашыңыз сұйыққойманы (2) «MAX» максималды су деңгейіне дейін толтырыңыз.
- **Ескертпе:** сұйыққоймаға (2) сірке суын немесе кез-келген басқа қақтан тазартқышты құюға тыйым салынады.
- 3. Температура реттегішін (9) күйіне «•» орнатыңыз.
- 4. Қуат баусымының ашасын (13) электр розеткасына салыңыз, қосу/өшіру батырмасын (12) басыңыз,

осы ретте үтік қосылып, жарық индикаторы (7) жыпылықтайды, үтіктің табаны (6) белгіленген температураға дейін қызған кезде, индикатор (7) тұрақты жанып тұрады.

5. Үтікті раковинаның үстіне көлденең ұстаңыз, бу жіберу пернесін (8) «» басып ұстап тұрыңыз, осы ретте жұмыс істеп тұрған сорғының дыбысы естіледі.

6. 45-60 секундтан кейін бу жіберу пернесін «» (8) босатыңыз, температура реттегішін (9) күйіне «••» орнатыңыз және үтіктің табаны (6) қызғанша күтіңіз. «5» тармақта сипатталған тазарту процесін қайталаңыз.

7. 45-60 секундтан кейін бу жіберу пернесін «» (8) босатыңыз, температура реттегішін (9) күйіне «Мах» орнатыңыз және үтіктің табаны (6) қызғанша күтіңіз. «5» тармақта сипатталған тазарту процесін қайталаңыз.

8. Қосу/өшіру батырмасын (12) басып, құрылғыны өшіріңіз және қуат баусымының ашасын (13) электр розеткасынан суырып алыңыз, үтіктің суығанын күтіңіз.

ТАЗАЛАУ ЖӘНЕ КҮТІМ

- Бу станциясын тазалаудың алдында, оның сөніп тұрғанына және үтіктің суығанына және қуат баусымының ашасы электр розеткасына салынбағанына көз жеткізіңіз.

- Бу станциясының корпусын (1) және үтікті сәл дымқыл шүберекпен сүртіңіз, содан кейін оны құрғатып сүртіңіз.
- Үтіктің табанындағы (6) минералдық шөгінділерді ас сірке суына салынған матамен кетіруге болады.
- Минералдық шөгінділерді жойғаннан кейін табанның (6) бетін құрғақ матамен сүртіңіз.
- Бу станциясы корпусын (1), үтік корпусын, үтік табанын (6) тазалау үшін абразивті тазартқыштарды немесе еріткіштерді пайдаланбаңыз.
- Үтік табанының (6) өткір металл заттармен, сондай-ақ металл түймелермен, сыдырмалармен және т. б. жанасуына жол бермеңіз.
- Бу станциясының корпусын (1), үтікті, қуат баусымын, қуат баусымының ашасын (13) суға немесе кез келген басқа сұйықтықтарға батыруға тыйым салынады.

САҚТАУ

- Бу станциясын сақтау үшін алып қоярдан бұрын, сұйыққоймадан (2) қалған суды төгіп тастаңыз және бу станциясы корпусы (1) мен үтіктің тазалауын жүргізіңіз.
- Температураны реттегішті (9) «MIN».
- Үтікті бу станциясының корпусына (1) орнатыңыз және бекіткішті (4) (сур. 2) басыңыз.
- Бу құбыршегін орау орнына (15) (сур. 4) қоюға болады.

- Құрылғыны салқын және құрғақ жерде, балалардың және мүмкіндігі шектеулі адамдардың қолы жетпейтін жерде сақтаңыз.

ЖЕТКІЗІЛІМ ЖИЫНТЫҒЫ

1. Бу станциясы – 1 дн.
2. Нұсқаулық – 1 дана.

ТЕХНИКАЛЫҚ СИПАТТАМАЛАРЫ

- Электр қуаттандыруы: 220-240 В, ~ 50/60 Гц
- Номиналдық тұтыну қуаттылығы: 2400 Вт
- Суға арналған суқойманың көлемі: 1,5 л
- Үздіксіз бу: 80 г/мин дейін
- Бу камерасындағы қысым – 4 бар-ға дейін

КӨДЕГЕ АСЫРУ



Қалдықтардың бақыланбай кәдеге асыруынан қоршаған ортаға немесе адамдардың денсаулығына зиян келтірмеу үшін, құралдың немесе қуаттандыру элементтерінің (егер жинақталымға кірсе) қызмет ету мерзімі аяқталғаннан кейін

оларды әдеттегі тұрмыстық қалдықтармен бірге тастамаңыз, аспапты және қуаттандыру элементтерін одан әрі кәдеге асыру үшін арнайы пункттерге жіберіңіз.

Бұйымдарды кәдеге асыру кезінде пайда болатын қалдықтар белгіленген тәртіп бойынша келесі пай-

даға асырылатын тәртіппен міндетті түрде жинауға жатады.

Берілген өнімді кәдеге асыру туралы қосымша ақпаратты алу үшін жергілікті муниципалитетке, тұрмыстық қалдықтарды пайдаға асыру қызметіне немесе осы өнімді сатып алған дүкенге жүгініңіз.

Өндіруші алдын-ала ескертусіз, құралдың дизайнын, конструкциясы мен оның жалпы жұмыс ұстанымдарына әсер етпейтін техникалық сипаттамаларын өзгерту құқығын өзіне қалдырады.

Құралдың қызмет ету мерзімі – 3 жыл

Өндірілген күні сериялық нөмірде көрсетілген.

Қандай да бір ақаулықтар табылған жағдайда дереу авторландырылған сервистік орталыққа жүгіну керек.



Hergestellt für «Ruste GmbH»,
Berggasse 18/18, 1090 Wien,
Österreich

Produced for «Ruste GmbH»,
Berggasse 18/18, 1090 Vienna, Austria

Изготовлено по заказу Русте Гмбх,
Бергассе 18/18, 1090 Вена, Австрия

Уполномоченное изготовителем
лицо: ООО «Грантэл»
143912, МО, г. Балашиха,
ш. Энтузиастов, вл. 1А
т.: +7(495) 297-50-20,
e-mail: info@brayer.su

Made in China/Произведено в Китае



brayer.ru

