

Instruction manual
Инструкция по эксплуатации

Food dehydrator BR1902
Сушилка для продуктов BR1902



СОДЕРЖАНИЕ

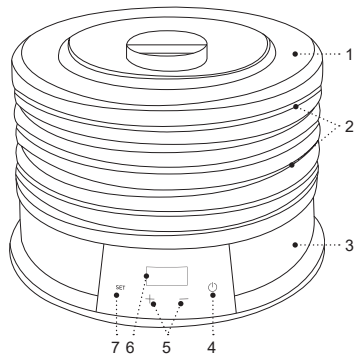
EN.....	3
DE.....	13
RU.....	25
KZ.....	37

FOOD DEHYDRATOR BR1902

Use the electric dehydrator to dry fruits, vegetables, medicinal or aromatic herbs, fish, lean meats, etc.

DESCRIPTION

1. Lid
2. Grids for dehydration
3. Body
4. On/Off button « U »
5. Temperature/operation time setting buttons «+/-»
6. Display
7. Temperature/operation time setting button «SET»



Pic. 1

SAFETY MEASURES AND OPERATION RECOMMENDATIONS

Read the operation manual carefully before using the press Trockner; after reading, keep it for future reference.

- Use the press dehydrator for its intended purpose only, as specified in this manual.
- Mishandling the dehydrator can lead to its breakage and cause harm to the user or damage to the user's property, which is not covered by warranty.
- Make sure that the operating voltage of the unit indicated on the label corresponds to your home mains voltage.
- Do not connect the unit to external timers or remotely controlled mains sockets.
- Install and use the press dehydrator on a flat, dry, steady and heat-resistant surface with free access to the mains socket.
- Do not use the unit outdoors.
- It is recommended not to use the unit during lightning storms.
- Protect the dehydrator from impacts, falling, vibrations and other mechanical stress.
- Never leave the unit connected to the mains unattended.
- Do not use the unit near heating appliances, heat sources or open flame.
- Do not use the dehydrator in places where aerosols are used or sprayed, and in proximity to inflammable liquids.

- Do not use the dehydrator in proximity to the kitchen sink, in bathrooms, near swimming pools or other containers filled with water.
- If the dehydrator is dropped into water, unplug it immediately, and only then you can take the unit out of water. Contact a service center to check or repair the unit.
- Do not let the power cord touch hot surfaces and sharp edges of furniture.
- Do not use the dehydrator to store any foreign objects, highly inflammable substances, paper or food.
- To prepare food, use the grate or the baking sheet, it is allowed to use heat-resistant ware designed for ovens.

ATTENTION! The external and internal unit surfaces are strongly heated during the operation. Do not touch the unit hot surfaces; remove the grate or the baking sheet using oven mitts.

- Be careful when removing the lid to check up on the drying process, keep your face and exposed skin away from above the grids to avoid being burned by hot air. Keep those check-ups brief.
- Do not move the press dehydrator when it is hot; wait until it cools down completely.
- Use the unit in places with proper ventilation.
- Use only the removable parts supplied with the press dehydrator.
- Unplug the unit after usage or before cleaning. When unplugging the dehydrator, hold the power plug and

carefully remove it from the mains socket, do not pull the power cord, as this can lead to its damage and cause a short circuit.

- Do not touch the unit body, the power cord and the power plug with wet hands.
- For child safety reasons do not leave polyethylene bags used as packaging unattended.

ATTENTION! Do not allow children to play with polyethylene bags or packaging film. **Danger of suffocation!**

- The unit is not intended for usage by children.
- Do not leave children unattended to prevent using the unit as a toy.
- Do not allow children to touch the operating surface, the unit body, the power cord or the power plug during operation of the unit.
- Be especially careful if children or disabled persons are near the operating unit.
- During the unit operation and breaks between operation cycles, place the unit out of reach of children.
- The unit is not intended for usage by physically or mentally disabled persons (including children) or by persons lacking experience or knowledge if they are not under supervision of a person who is responsible for their safety or if they are not instructed by this person on the usage of the unit.
- From time to time check the power cord integrity.

- If the power cord is damaged, it should be replaced by the manufacturer, a maintenance service or similar qualified personnel to avoid danger.
- Do not repair the unit by yourself. Do not disassemble the unit by yourself, if any malfunction is detected, and after the unit was dropped, unplug it and apply to the authorized service center.
- To avoid damages, transport the unit in the original package.
- Keep the unit in a dry cool place out of reach of children and disabled persons.

THE UNIT IS INTENDED FOR HOUSEHOLD USE ONLY, DO NOT USE THE UNIT FOR COMMERCIAL OR LABORATORY PURPOSES.

BEFORE THE FIRST USE

After unit transportation or storage at negative temperature, unpack it and wait for 3 hours before using.

- Unpack the unit and remove all the packaging materials.
- Keep the original package.
- Read the safety measures and operating recommendations.
- Check the delivery set.
- Examine the unit for damages, in case of damage do not plug it into the mains.

- Make sure that specified specifications of power supply voltage of the unit correspond to the specifications of your mains. When the unit is used in the mains with 60 Hz frequency, it does not need any additional settings.
- Wash the lid (1) and grids (2) for dehydration with warm water and neutral detergent, rinse and dry.
- Clean the food dehydrator body (3) with a damp tissue and wipe it dry.

Attention! Do not submerge the body of the food dehydrator (3) into water or other liquids. Ensure that no water spills into the ventilation openings on the body (3) of the food dehydrator.

- Before the first use switch the dehydrator on with no grids (2) and no lid (1) installed to deodorize the heating element.
- Insert the power cord plug into the mains socket.
- Switch the dehydrator on by pressing the on/off button (4) «U», the display (6) will show the drying temperature and time (see below for the food dehydration temperature and time settings).
- After 5-10 minutes, switch the dehydrator off by pressing the on/off button (4) «U», unplug the power cord from the electrical outlet

Notes: small amounts of smoke and foreign odor are to be expected during first use. This is normal and does not constitute a warrantable failure.

USING DEHYDRATOR

ATTENTION!

- The dehydration time for each food is individual and dependent on its size, natural moisture content, and also on the relative room humidity. For more information see the «Drying Times & Temperature Guide» section, see also the dehydration temperature and time tables.
- Before dehydrating your foods, wash them, dry, and chop or cut into thin slices.
- Lay out the foods onto grids (2) for dehydration at a distance so as to ensure free passage of hot air between the food chops or slices.
- Install the grids (2) on the shaft (pic. 1). Install at least 3 grids (2) even if some of them are empty.
- Cover the grids (2) with the lid (1).
- Connect the power plug to an electrical outlet.
- Switch the dehydrator on by pressing the on/off button (4) «U», the display (6) will show the temperature «70°C» and the drying time «12:00» hours.
- To set the food dehydration temperature, press the temperature/operation time setting button (7) «SET», press the buttons (5) «+ or -» to set the dehydration temperature. Possible temperature setting range is from 35°C to 70°C.
- To set the food dehydration time, press the temperature/operation time setting button (7)

- «SET» again, press the buttons (5) «+ or -» to set the dehydration time. Possible time setting range is from 1 to 48 hours.
- Hot air enters from the bottom of the grids (2) (pic. 1), the rotation of the grids (2) ensures even blowing of the products with hot air, but the products located on the lower grids (2) are more exposed to hot air and dry faster. For even dehydration, it is recommended to put moister food on the lower grids (2).
 - The hot air comes from below the grids (2), the foods on the lower grids (2) are affected by the hot air and dehydrate faster. For more even dehydration place the foods with greater moisture content on the lower grids (2).
 - It is best to check the foods every hour or every other hour. Should your foods dry unevenly, you can turn them over or switch the grids (2) around.
 - Before interchanging the grids (2), switch the dehydrator off by pressing the on/off button (4) «⏻».
 - After you finish dehydrating the food, switch the dehydrator off by pressing the on/off button (4) «⏻», unplug it and wait until the dehydrator cools down.
 - Remove the products and put them into a container for storage.

RECOMMENDATIONS

ATTENTION!

- To avoid food intoxication and intestinal diseases strictly follow the below recommendations:

- keep the grids (2) clean. Wash the grids (2) and the lid (1) with warm water and neutral detergent, rinse, and dry them after each use of the food dehydrator.
- wash your hands before pretreating the foods. If there are cuts or sores on your hands, or if you have a skin condition – do not touch the foods, use medical gloves instead.
- when checking the foods, use a fork or other kitchen tools, do not touch the foods with your hands.
- keep the pets away, while the food dehydration is in operation.

Fruits and vegetables selection

- Only use the ripe fruit and fresh vegetables, unripe fruit may acquire a foreign taste in course of dehydration, overly ripe fruit may change the color.
- Vegetables contain less sugars and acids, therefore, not all of them are suitable for drying. The broccoli and asparagus, for example, are better frozen than dried.
- Dried fruit and vegetables must be slightly soft and with no moisture, overly dried fruit and vegetables are easy to crumble and have less nutritional value.

Pretreating fruit and vegetables

- Before dehydration thoroughly wash the fruit and vegetables and dry them.
- Cut, remove stems, stones, pits, cores and seeds.
- Peel the skin from the vegetables if it is thick.
- Slice or dice the fruit and vegetables. Leave berries, such as grapes, whole.

Preprocessing of fruit

- Certain fruit has a waxy coating, which can be removed by peeling them or placing them into boiling water for 1 minute.
- Use lemon, orange, or lime juice to preserve the natural color of the fruit. Place the cut fruit pieces into juice for 2-4 minutes, remove them, dry them, and put them onto the grids (2).
- To enhance the flavor of the fruit, use natural juice from the fruit to be dehydrated, e. g., apple juice for the apples. Dilute 50-60 ml of the juice in 400 ml of boiled water, place the cut fruit pieces into the diluted juice for about 1-2 hours, remove the fruit, dry it, and lay it out on the grids (2).

Preprocessing of vegetables

- Pretreat the vegetables to avoid flavor change in course of dehydration.
- You can either steam or microwave the vegetables, these pretreatments are more preferable than scolding.
- When using the food steamer, place the vegetables on the upper tray of the steamer, heat them for 2-3 minutes, and put the vegetables onto the grids (2).
- Put the vegetables into a microwave-ready container, add some water. Cover the container with the lid and put it into a microwave oven. Set the operation time to the «quarter» of the boiling time for vegetables specified in your microwave oven manual. Place the pretreated vegetables onto the grids (2).

- You can place the cut vegetables into boiling water for 2-4 minutes, remove them and put back onto the grids (2).

Fish and meats drying suggestions

- Use only fresh fish and fat-free lean meat, such as beef and poultry.
- Preprocessing is mandatory before drying fish and meat – it will protect your health. Make sure to marinate or boil the foods before dehydration.
- Dried fish and meats can be used for making soups and main courses.
- Soak the dried fish or meat in water or broth for about one hour before cooking.

Meat marinade recipe:

- 100 ml soy sauce
- 1 tea spoon shredded garlic
- 2 table spoons tomato paste
- salt and spices to taste

Drying meats

- Cut the beef and poultry meat along the tendons into small slices. Let the meat marinate for 2-3 hours, then remove it, let it dry, and place onto the grids (2).
- Meat dehydration time – from 8 to 15 hours under dehydrator temperature of 60-70°C.
- Keep the dried meat in an airtight container. Do not store it for longer than 2 weeks under room temperature, or longer than 3 months in a refrigerator.

Drying fish

- Only use fresh fish for drying, do not use frozen fish.
- Remove the bones from the fish then cut it into pieces.
- Put the pieces of fish into salted water (100 g of salt to 1 liter of water), put the fish in the container into a refrigerator for 30 minutes, remove the pieces of fish, let them dry, and lay them out onto the mesh trays (2).
- Dry the fish until it stops secreting moisture.
- Keep the dried fish in an airtight container inside a refrigerator. Do not store it for longer than 3 months.

Drying pre-cooked fish and meat

- Boil fish or meat.
- Remove the bones from the fish, cut the excess fat off the meat, cut the foods into pieces, and lay them out onto the grids (2).
- Dry the foods until ready.
- Keep fish and meat in an airtight container. Do not store it for longer than 2 weeks under room temperature, or longer than 3 months in a refrigerator.

Drying greens, flavoring herbs, or flowers

- Fresh greens, any flavoring herbs, or flowers are suitable for drying.
- Dry the greens and flavoring herbs together with their stems, after drying separate the leaves from the stems, and put them into an airtight container.

- Before taking the herbs away for storage, make sure that they are well-dried, otherwise the herbs can spoil.
- The dried flowers can be used to make a herbarium or in fragrance sachets.

Storing dried foods

- Dehydrated products must contain less than 20% moisture, overdried fruit and vegetables lose their taste and nutrition value. Recommendations on the condition of dried products are given in the tables.
- Storing the dried foods in the correct containers increases their shelf-life.
- Before taking the foods away for storage, let them completely cool down and put them into an airtight container afterwards. For best results, use vacuum containers or vacuum bags.
- Make sure to label the container or the bag with the name of the food and the packaging date.
- Store the foods in a dark cool place under temperature below 15°C. Foods can be stored in a refrigerator or a freezer.

DRYING TIMES & TEMPERATURE GUIDE

- The dehydration time for each food is individual and dependent on its quality and size, on the temperature, and the relative room humidity.
- In the table below are suggested drying times and temperature.

- As you learn to operate the food dehydrator, you will become able to determine the drying time and temperature yourself.

Note: if the foods have not dried in one session, you can continue the process at another convenient time. Switch the dehydrator off, wait for the foods on the grids (2) to cool down to room temperature, put the foods into food containers or bags, and place them into a refrigerator or a freezer.

Using dried fruit and vegetables

The necessary moisture in dried products can be restored again, several methods are offered:

- Soak fruit and vegetables in cold water for 2-6 hours, make sure that they don't heat up during soaking.
- You can soak fruit or vegetables in boiling water for 5-10 minutes and wait for the necessary result.
- You can also restore the moisture by cooking the products. During cooking do not add sugar or spices. The general rule is to pour two cups of water over the fruit and let it boil for a while.

CLEANING AND MAINTENANCE

- Before cleaning switch the dehydrator off and remove the power cord plug from the mains socket.
- Do not submerge the food dehydrator, the power cord, or the power cord plug into water or any other liquid.
- Wash the lid (1) and grids (2) with warm water and neutral detergent, rinse and dry.

- You can wash the lid (1) and the grids (2) in a dishwashing machine at low temperature mode.
- Remove possible food crumbs from the dehydrator and wipe it from the inside with a slightly damp cloth, then wipe dry.
- Clean the food dehydrator body (3) surface with a slightly damp tissue, then wipe it dry.
- Ensure that no liquid gets inside the body (3).
- Do not use metal scouring pads, abrasives, or solvents for cleaning the lid (1), grids (2), or the body (3).

STORAGE

- Clean the food dehydrator before taking it away from storage.
- Store the food dehydrator in a cool dry place, unreachable by children or people with disabilities.

Suggested food drying temperatures

Foods	Temperature (°C)
Greens, flavoring herbs	35-40
Vegetables	40-55
Fruits	55-60
Meats, fish	60-70

In the table below are suggested drying food temperatures

Drying times table for fruits and berries

Foods	Preparation	Test for dryness	Drying time/ hrs
Apricots, Peaches	Halve, pit	Soft	12-28
Bananas	Peel and cut into 3-4 mm thick slices	Crisp	7-28
Grapes, preferably the seedless variety	Leave whole	Soft	8-34
Pears	Cut into slices	Soft	8-28
Cranberries	Leave whole	Soft	6-26

Drying times table for fruits and berries

Foods	Preparation	Test for dryness	Drying time/ hrs
Eggplants	Peel and cut into slices	Brittle	6-18
Mushrooms	Leave small ones whole, slice larger ones	Brittle	6-14
Marrows	Dice into ~ 10 x 10 mm cubes	Brittle	6-18
Cauliflower	Pre-boil until soft	Hard	6-16
Potatoes	Pre-boil for 5-10 minutes, cut into wedges or pieces.	Crisp	8-30
Onions	Cut into thin round slices	Crisp	8-14
Carrots	Pre-boil until soft, cut into rings or dice into ~ 8x8 mm cubes	Brittle	8-14
Sweet peppers	Cut into stripes, round slices, or pieces	Brittle	4-14

Parsley	Dry with stems. Remove and trim stems after drying, then take away for storage	Brittle	2-10
Tomatoes	Peel, cut into ~ 3-5 mm thick wedges or slices	Hard	8-24
Celery root	Chop into ~ 6x6 mm cubes	Brittle	6-14
Garlic	Slice into wedges	Crisp	6-16
Spinach	Pre-boil a little	Crisp	6-16

DELIVERY SET

1. Dehydrator – 1 pc.
2. Instruction manual – 1 pc.

TECHNICAL SPECIFICATIONS

- Power supply: 220-240 V, ~ 50-60 Hz
- Rated input: 250 W

RECYCLING



To prevent possible damage to the environment or harm to the health of people by uncontrolled waste disposal, after service life expiration of the unit or the batteries (if included), do not discard them with usual household waste, deliver

the unit and the batteries to specialized centers for further recycling.

The waste generated during the disposal of the unit is subject to mandatory collection and consequent disposal in the prescribed manner.

For further information about recycling of this product apply to a local municipal administration, a disposal service or to the shop where you purchased this product.

The manufacturer reserves the right to change the appearance, design and specifications not affecting general operation principles of the unit, without prior notice.

The unit operating life is 3 years


The manufacturing date is specified in the serial number.

In case of any malfunctions promptly apply to the authorized service center.

NAHRUNGSMITTEL TROCKNER BR1902

Verwenden Sie einen elektrischen Trockner, um Obst, Gemüse, Heilkräuter oder Gewürzkräuter, Fisch, mageres Fleisch usw. zu trocknen.

BESCHREIBUNG

1. Deckel
2. Trocknungsgitter
3. Gehäuse
4. Ein-/Ausschalttaste «»
5. Temperatur-/Zeiteinstelltagen «+/-»
6. Bildschirm
7. Temperatur-/Zeiteinstelltag «SET»

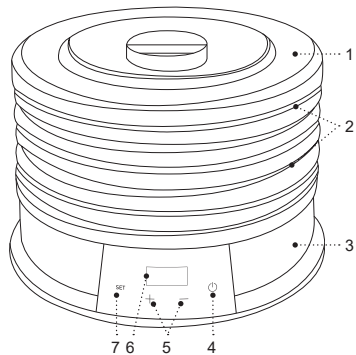


Abb. 1

SICHERHEITSHINWEISE UND GEBRAUCHSANLEITUNG

Bevor Sie den Trockner benutzen, lesen Sie die Bedienungsanleitung aufmerksam durch und bewahren Sie sie zum späteren Gebrauch auf.

- Benutzen Sie den Trockner nur bestimmungsmäßig und laut dieser Bedienungsanleitung.
- Der Missbrauch des Geräts kann zu seiner Störung führen, den Benutzer oder sein Eigentum beschädigen und ist kein Garantiefall.
- Vergewissern Sie sich, dass die auf dem Bezeichnungszettel angegebene Betriebsspannung und die Netzspannung übereinstimmen.
- Stecken Sie den Netzstecker in eine Steckdose mit einem zuverlässigen Erdungskontakt.
- Schließen Sie das Gerät an keine externen Timer oder elektrischen Steckdosen mit Fernbedienung an.
- Verwenden Sie keine Adapterstecker beim Anschließen des Trockners ans Stromnetz, um das Brandrisiko zu vermeiden.
- Stellen und benutzen Sie den Trockner auf einer ebenen, trockenen, standfesten und hitzebeständigen Oberfläche mit immer freiem Zugang zur Steckdose auf.
- Es ist nicht gestattet, das Gerät draußen zu benutzen.
- Es ist nicht empfohlen, das Gerät bei Gewitter zu benutzen.
- Schützen Sie den Trockner vor Stößen, Stürzen, Vibrationen und anderen mechanischen Einwirkungen.
- Lassen Sie das ans Stromnetz angeschlossene Gerät nie unbeaufsichtigt.
- Benutzen Sie das Gerät in direkter Nähe von Heizgeräten, Wärmequellen oder offenem Feuer nicht.
- Es ist verboten, den Trockner an den Orten, wo Sprays verwendet werden, sowie in der Nähe von leichtentzündbaren Flüssigkeiten, zu benutzen.
- Benutzen Sie den Trockner in der Nähe von Spülbecken, in Badezimmern und neben den Wasserbecken oder anderen mit Wasser gefüllten Behältern nicht.
- Falls der Trockner ins Wasser gefallen ist, ziehen Sie den Netzstecker aus der Steckdose sofort heraus, erst danach holen Sie das Gerät aus dem Wasser heraus. Wenden Sie sich an einen autorisierten Kundendienst, um das Gerät prüfen oder reparieren zu lassen.
- Achten Sie darauf, dass das Netzkabel heiße Oberflächen und scharfe Möbelkanten nicht berührt.
- Verwenden Sie den Trockner zum Aufbewahren von irgendwelchen Fremdgegenständen, leichtentzündbaren Stoffen, Papier oder Nahrungsmitteln nicht.
- Verwenden Sie das Gitter oder das Backblech zum Speisenzubereiten; das ofengeeignete hitzebeständige Geschirr kann auch verwendet werden.
- Erwärmen Sie Nahrungsmittel im Trockner nur ohne Plastik- oder Papierverpackungen.

ACHTUNG! Die Außen- und Innengeräteoberflächen werden im Betrieb stark erhitzt. Berühren Sie keine heißen Geräteoberflächen, verwenden Sie beim Entfernen des Gitters oder des Backblechs Ofenhandschuhe.

- Nehmen Sie den Deckel während des Trocknerbetriebs für längere Zeit nicht ab; wenn Sie den Deckel zur Kontrolle des Trockvorgangs abgenommen haben, seien Sie vorsichtig und halten Sie Ihr Gesicht oder andere bloße Körperteile über den Trocknungsgittern nicht, um Heißluftverbrennungen zu vermeiden.
- Bewegen Sie den heißen Trockner nicht, warten Sie ab, bis er vollständig abkühlt.
- Benutzen Sie das Gerät in gut belüfteten Räumen.
- Benutzen Sie nur die mitgelieferten abnehmbaren Trockner Teile.
- Trennen Sie das Gerät nach dem Gebrauch oder vor der Reinigung vom Stromnetz unbedingt ab. Wenn Sie den Trockner vom Stromnetz abtrennen, halten Sie den Netzstecker fest und ziehen Sie ihn aus der Steckdose vorsichtig heraus; ziehen Sie das Netzkabel nicht, da es zu seiner Beschädigung und einem Kurzschluss führen kann.
- Berühren Sie das Gerätegehäuse, das Netzkabel und den Netzstecker mit nassen Händen nicht.
- Aus Kindersicherheitsgründen lassen Sie Plastiktüten, die als Verpackung verwendet werden, nie ohne Aufsicht.

ACHTUNG! Lassen Sie Kinder mit Plastiktüten oder Verpackungsfolien nicht spielen. **Erstickungsgefahr!**

- Das Gerät ist nicht für Kinder bestimmt.
- Beaufsichtigen Sie Kinder, damit sie das Gerät als Spielzeug nicht benutzen.
- Lassen Sie Kinder die Arbeitsfläche, das Gerätegehäuse, das Netzkabel oder den Netzstecker während des Gerätebetriebs nicht berühren.
- Besondere Vorsichtsmaßnahmen sind in den Fällen angesagt, wenn sich Kinder oder behinderte Personen während des Gerätebetriebs in der Nähe aufhalten.
- Während des Betriebs und der Pausen zwischen den Betriebszyklen stellen Sie das Gerät an einen für Kinder unzugänglichen Ort auf.
- Dieses Gerät ist für Personen (darunter Kinder) mit Körper-, Nerven- und Geistesstörungen oder Personen ohne ausreichende Erfahrung und Kenntnisse nicht geeignet, wenn sie sich unter Aufsicht der Person, die für ihre Sicherheit verantwortlich ist, nicht befinden oder entsprechende Anweisungen über die Nutzung des Geräts nicht bekommen haben.
- Prüfen Sie die Unversehrtheit des Netzkabels von Zeit zu Zeit.
- Wenn das Netzkabel beschädigt ist, soll es vom Hersteller, vom Kundendienst oder von ähnlich

- qualifiziertem Personal ersetzt werden, um Gefahren zu vermeiden.
- Es ist nicht gestattet, das Gerät selbständig zu reparieren. Es ist nicht gestattet, das Gerät selbständig auseinanderzunehmen; bei der Feststellung jeglicher Beschädigungen, sowie im Sturzfall, trennen Sie es vom Stromnetz ab und wenden Sie sich an einen Kundendienst.
- Um Beschädigungen zu vermeiden, transportieren Sie das Gerät nur in der Fabrikverpackung.
- Bewahren Sie das Gerät an einem trockenen, kühlen und für Kinder und behinderte Personen unzugänglichen Ort auf.

DAS GERÄT IST NUR FÜR DEN GEBRAUCH IM HAUSHALT GEEIGNET, ES IST VERBOTEN, DAS GERÄT ZU GESCHÄFTS- ODER LABORZWECKEN ZU BENUTZEN.



VOR DER ERSTEN NUTZUNG

Packen Sie das Gerät aus und warten Sie 3 Stunden, bevor Sie es bei einer negativen Temperatur transportieren oder bewahren.

- Packen Sie das Gerät aus und entfernen Sie alle Verpackungsmaterialien.
- Bewahren Sie die Originalverpackung auf.
- Lesen Sie die Sicherheitsmaßnahmen und Bedienungsempfehlungen durch.
- Prüfen Sie die Komplettheit.

- Prüfen Sie das Gerät auf Beschädigungen; wenn es beschädigt ist, schließen Sie es ans Stromnetz nicht an.
- Vergewissern Sie sich, dass die angegebenen Parameter der Geräteversorgungsspannung und die Stromnetzparameter übereinstimmen. Beim 60-Hz-Stromnetz-Gerätebetrieb sind keine zusätzlichen Maßnahmen erforderlich.
- Waschen Sie den Deckel (1) und die Trocknungsgitter (2) mit Warmwasser und einem neutralen Waschmittel, spülen und trocknen Sie sie ab.
- Wischen Sie das Trocknergehäuse (3) mit einem feuchten Tuch, dann trocknen Sie es ab.

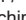
Achtung! Tauchen Sie das Trocknergehäuse (3) ins Wasser oder jegliche andere Flüssigkeiten nicht ein. Lassen Sie kein Wasser in die Lüftungslöcher des Trocknergehäuses (3) gelangen.

- Um Fremdgerüche aus dem Heizelement zu entfernen, ist es empfohlen, den Trockner vor dem ersten Gebrauch ohne Gitter (2) und Deckel (1) einzuschalten.
- Stecken Sie den Netzstecker in eine Steckdose ein.
- Schalten Sie den Trockner ein, indem Sie die Ein-/Ausschalttaste (4) «» drücken, wobei die Temperatur und die Trocknungszeit auf dem Bildschirm (6) angezeigt werden (siehe unten für die Einstellungen für die Temperatur und die Trocknungszeit der Lebensmittel).
- Schalten Sie den Trockner nach 5 bis 10 Minuten aus, indem Sie die Ein-/Ausschalttaste (4) «» drücken und ziehen Sie den Netzstecker aus der Steckdose.

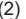

Anmerkungen: beim erstmaligen Einschalten des Trockners kann etwas Rauch und Fremdgeruch auftreten, es ist zulässig und kein Garantiefall.

VERWENDUNG DES TROCKNERS

ACHTUNG! Die Trocknungszeit wird für jedes Nahrungsmittel individuell gewählt und hängt von seiner Größe, dem natürlichen Feuchtegehalt sowie der Temperatur und relativen Raumluftheuchtigkeit ab. Weitere Informationen finden Sie im Abschnitt «Nahrungsmitteltrocknungszeit und -temperatur», sehen Sie auch die Tabellen zur Nahrungsmitteltrocknungszeit und -temperatur.

- Spülen, trocknen und schneiden Sie die Nahrungsmittel in dünne Stücke oder Scheiben vor dem Trocknen ab.
- Legen Sie die Nahrungsmittel auf die Trockengitter (2) so auf, dass die Heißluft zwischen den Nahrungsmittelstücken oder -scheiben ungehindert passieren kann.
- Setzen Sie die Gitter (2) auf die Welle (Abb. 1). Stellen Sie mindestens drei Gitter (2) ein, auch wenn einige nicht gefüllt sind.
- Decken Sie die Gitter (2) mit dem Deckel (1) ab.
- Stecken Sie den Netzstecker des Netzkabels in eine Steckdose
- Drehen Sie den Griff (4) und stellen Sie die gewünschte Temperatur ein, um die Lebensmittel zu trocknen• Schalten Sie den Trockner durch Drücken der Ein-/Ausschalttaste (4) «» ein, wobei auf dem Bildschirm (6) die Temperatur «70°C» und die Trocknungszeit «12:00» Stunden angezeigt werden.
- Um die Trocknungstemperatur für Lebensmittel einzustellen, drücken Sie die Temperatur-/

Zeiteinstelltaste «SET» (7), drücken Sie die Tasten (5) «+oder-», um die Trocknungstemperatur einzustellen. Der mögliche Temperatureinstellbereich liegt von 35°C bis 70°C.

- Um die Trocknungstemperatur für Lebensmittel einzustellen, drücken Sie die Temperatur-/Zeiteinstelltaste «SET» (7) erneut, drücken Sie die Tasten (5) «+oder-», um die Trocknungstemperatur einzustellen. Der mögliche Zeiteinstellbereich liegt von 1 Stunde bis 48 Stunden.
- Heiße Luft kommt von unten in die Gitter (2) (Abb. 1), die Drehung der Gitter (2) sorgt für ein gleichmäßiges Ausblasen der Lebensmittel mit heißer Luft, aber die Lebensmittel auf den unteren Gittern (2) sind anfälliger für heiße Luft und trocknen schneller aus. Um eine gleichmäßige Trocknung der Lebensmittel zu gewährleisten, es wird empfohlen, feuchtere Produkte auf die unteren Gitter (2) zu legen.
- Es ist empfohlen, die Nahrungsmittel stündlich oder alle zwei Stunden auf Bereitschaft zu prüfen. Wenn die Nahrungsmittel nicht gleichmäßig trocknen, können Sie sie umdrehen oder die Gitter (2) vertauschen.
- Schalten Sie den Trockner aus, bevor Sie die Gitter (2) vertauschen, indem Sie die Ein-/Ausschalttaste (4) «» drücken.
- Schalten Sie den Trockner nach dem Trocknen aus, indem Sie die Ein-/Ausschalttaste (4) «» drücken, ziehen Sie den Netzstecker aus der Steckdose und lassen den Trockner abkühlen.
- Nehmen Sie die Lebensmittel heraus und legen Sie sie in einen für die Aufbewahrung vorgesehenen Behälter.

EMPFEHLUNGEN

ACHTUNG!

Um Nahrungsmittelvergiftungen oder Darmerkrankungen vorzubeugen, befolgen Sie unbedingt folgende Empfehlungen:

- halten Sie die Gitter (2) sauber, nach jedem Gebrauch des Trockners waschen Sie die Gitter (2) und den Deckel (1) mit Warmwasser und einem neutralen Reinigungsmittel, spülen und trocknen Sie diese ab.
- Waschen Sie sich gründlich die Hände, bevor Sie die Nahrungsmittel zum Trocknen vorbereiten, bei Schnittwunden, Geschwüren oder Hautkrankheiten an Ihren Händen berühren Sie die Nahrungsmittel direkt nicht, verwenden Sie medizinische Handschuhe.
- verwenden Sie zum Prüfen der Nahrungsmittelbereitschaft eine Gabel oder anderes Küchenzubehör, berühren Sie die Nahrungsmittel mit Ihren Händen nicht.
- achten Sie darauf, dass sich keine Haustiere in der Nähe des Trockners während des Betriebs aufhalten.

Obst- un Gemüsewahl

- Verwenden Sie nur reifes Obst und frisches Gemüse, unreife Früchte können beim Trocknen einen Fremdgeschmack bekommen, überreife Früchte können ihre Farbe verändern.

- Gemüse enthält weniger Zucker und Säuren, daher sind nicht alle zum Trocknen geeignet, z.B. Brokkoli oder Spargel sind besser einzufrieren als zu trocknen.
- Getrocknetes Obst und Gemüse sollen leicht weich und feuchtigkeitsfrei sein, übertrocknetes Obst und Gemüse bröckeln leicht und enthalten weniger Nährstoffe.

Obst- und Gemüsevorbereitung

- Spülen und trocknen Sie Obst oder Gemüse vor dem Trocknen gründlich ab.
- Entfernen Sie Stiele und Kerne von den Früchten.
- Entfernen Sie dicke Gemüseschale.
- Schneiden Sie Obst oder Gemüse in Scheiben oder Würfel, Beeren wie Weintrauben trocknen Sie ganz.

Obstvorbehandlung

- Einige Früchte sind mit einer Wachsschicht bedeckt, um das Wachs zu entfernen, können Sie die Schale abschneiden oder die Früchte für 1 Minute in kochendes Wasser eintauchen.
- Verwenden Sie Zitronen-, Orangen- oder Limettensaft, um die natürliche Früchtenfarbe zu erhalten. Tauchen Sie die geschnittenen Fruchtstücke für 2-4 Minuten in den Saft ein, nehmen Sie diese heraus, trocknen und legen Sie sie auf die Gitter (2).
- Um den Obstgeschmack zu verstärken, verwenden Sie den Natursaft aus den zu trocknenden Früchten, z.B. Apfelsaft für Äpfel. Lösen Sie etwa 50-60 ml Saft in 400 ml kochendem Wasser auf, tauchen Sie die geschnittenen Früchte für ca. 1-2 Stunden in die

Saftlösung ein, nehmen Sie die Früchte heraus, trocknen und legen Sie sie auf die Gitter (2).

Gemüsevorbehandlung

- Um Geschmacksveränderungen beim Trocknen und Aufbewahren zu vermeiden, ist es empfohlen, das Gemüse vorzubehandeln.
- Gemüse kann eine Weile gedämpft oder mikrowegewellt werden, diese Vorbehandlungsmethoden sind dem Anbrühen vorzuziehen.
- Bei Verwendung eines Dampfkochtopfs legen Sie das Gemüse auf die obere Dampfkochschale und lassen Sie sie 2-3 Minuten erhitzen, danach legen das Gemüse auf die Gitter (2) um.
- Legen Sie das Gemüse in einen mikrowelleneigneten Behälter und fügen Sie etwas Wasser hinzu. Setzen Sie den Deckel auf den Behälter und stellen Sie ihn in einen Mikrowellenofen. Stellen Sie die Betriebszeit gleich «einem Viertel» der Gemüsegarzeit in der Anleitung Ihres Mikrowellenofens ein. Legen Sie das gegarte Gemüse auf die Gitter (2) um.
- Sie können das geschnittene Gemüse für 2-4 Minuten in kochendes Wasser eintauchen, dann herausnehmen, trocknen und auf die Gitter (2) legen.

Tipps zum Trocknen von Fisch und Fleisch

- Trocknen Sie nur frischen Fisch und mageres Fleisch ohne Fett wie Rindfleisch oder Geflügel.
- Bevor Sie Fisch oder Fleisch trocknen, müssen Sie die Nahrungsmittel vorbehandeln, was Ihre

Gesundheit schützt und obligatorisch ist, deswegen marinieren oder kochen Sie die Nahrungsmittel vor dem Trocknen.

- Verwenden Sie getrockneten Fisch und Fleisch für erste oder zweite Gänge.
- Vor der Speisenzubereitung ist es empfohlen, trockenen Fisch und Fleisch etwa eine Stunde in Wasser oder Brühe einzuweichen.

Fleischmarinaderezept:

- 100 ml Sojasoße
- 1 Teelöffel Knoblauch, gehackt
- 2 Esslöffel Tomatenpaste
- Salz und Gewürzen nach Geschmack

Fleischtrocknen

- Schneiden Sie Rindfleisch oder Geflügel quer zur Faser in kleine Stücke. Marinieren Sie das Fleisch 2-3 Stunden, dann nehmen Sie es heraus, trocknen und legen Sie es auf die Gitter (2)
- Die Trocknungszeit für Fleisch beträgt ca. 8 bis 15 Stunden bei einer Trocknungstemperatur von 60-70°C.
- Bewahren Sie trockenes Fleisch in einem luftdichten Behälter bei Raumtemperatur nicht länger als 2 Wochen und maximal 3 Monate im Kühlschrank auf.

Fischtrocknen

- Verwenden Sie zum Trocknen nur frischen und keinen gefrorenen Fisch.
- Entgräten und zerhacken Sie den Fisch.

- Legen Sie die Fischstückchen in eine Salzlösung (100 g Salz pro 1 Liter Wasser), stellen Sie die Schüssel mit Fisch für 30 Minuten in den Kühlschrank, nehmen Sie die Fischstückchen heraus, trocknen und legen Sie sie auf die Gitter (2).
- Trocknen Sie den Fisch, bis kein Saft mehr austritt.
- Bewahren Sie den getrockneten Fisch luftdicht im Kühlschrank nicht länger als 3 Monate auf.

Trocknen von bereits gegartem Fisch und Fleisch

- Kochen Sie Fisch oder Fleisch.
- Entgräten Sie den Fisch, entfernen Sie überschüssiges Fett vom Fleisch, schneiden Sie die Nahrungsmittel in Stücke und legen Sie sie auf die Gitter (2).
- Trocknen Sie die Nahrungsmittel, bis sie fertig sind.
- Bewahren Sie Fisch und Fleisch luftdicht bis zu 2 Wochen bei Raumtemperatur und bis zu 3 Monate im Kühlschrank auf.

Trocknen von Kräutern, Kräutergewürzen oder Blumen

- Zum Trocknen können Sie frische Kräuter, beliebige Kräutergewürze oder Blumen verwenden.
- Trocknen Sie Kräuter und Kräutergewürze samt Stängeln, nach dem Trocknen trennen Sie die Blätter von den Stängeln und bewahren Sie sie luftdicht auf.
- Bevor Sie Kräuter zur Aufbewahrung wegnehmen, vergewissern Sie sich, dass sie gut getrocknet sind, da die Kräuter sonst verderben können.
- Trockenblumen können für Herbarien oder Duftsäckchen verwendet werden.

Aufbewahrung von getrockneten Nahrungsmitteln

- Getrocknete Lebensmittel sollten weniger als 20% Feuchtigkeit enthalten, über trocknetes Obst und Gemüse verliert seinen Nährwert und Geschmack. Hinweise zum Zustand der getrockneten Lebensmittel finden Sie in den Tabellen.
- Richtige Verpackung getrockneter Nahrungsmittel erhöht deren Aufbewahrungszeit.
- Lassen Sie Nahrungsmittel vollständig abkühlen, bevor Sie sie zur Aufbewahrung wegnehmen, dann legen Sie sie in eine luftdichte Verpackung. Die Nahrungsmittel werden am besten in Vakuumbehältern oder -beuteln aufbewahrt.
- Bezeichnen Sie unbedingt das Nahrungsmittel und das Verpackungsdatum am Behälter oder Beutel.
- Bewahren Sie Nahrungsmittel an einem kühlen und dunklen Ort bei einer Temperatur von nicht mehr als 15°C auf. Sie können Nahrungsmittel im Kühl- oder Gefrierfach eines Kühlschranks aufbewahren.

NAHRUNGSMITTELTROCKNUNGSZEIT UND -TEMPERATUR

- Die Trocknungszeit wird für jedes Nahrungsmittel individuell gewählt und hängt von seiner Qualität und Größe, der Temperatur und relativer Luftfeuchtigkeit im Raum, wo die Nahrungsmittel getrocknet werden, ab.
- Die Tabellenangaben zur Trocknungstemperatur und -zeit für Nahrungsmittel sind empfehlend.

- Wenn Sie sich mit dem Trockner besser vertraut machen, können Sie Trocknungstemperatur und -zeit für Nahrungsmittel selbst wählen.

Anmerkung: wenn die Nahrungsmittel nicht ganz in einem Vorgang getrocknet waren, können Sie sie zu jeder anderen geeigneten Zeit weiter trocknen. Schalten Sie den Trockner aus, warten Sie ab, bis die Nahrungsmittel auf den Gittern (2) auf Raumtemperatur abkühlen, legen Sie die Nahrungsmittel in einen Speisebehälter oder -beutel um und stellen Sie diese in den Kühl- oder Gefrierraum eines Kühlschranks.

Verwendung von getrocknetem Obst und Gemüse

In getrockneten Lebensmitteln können Sie die erforderliche Feuchtigkeit wieder herstellen, es gibt mehrere Möglichkeiten:

- Weichen Sie Obst und Gemüse 2-6 Stunden in kaltem Wasser ein und achten Sie darauf, dass sie während des Einweichvorgangs nicht erhitzt werden.
- Sie können Obst oder Gemüse für 5-10 Minuten mit kochendem Wasser übergießen und auf das gewünschte Ergebnis warten.
- Sie können auch die Feuchtigkeit von Lebensmitteln wiederherstellen, indem Sie sie kochen. Es wird nicht empfohlen, während des Kochens verschiedene Gewürze und Zucker hinzuzufügen. Die allgemeine Regel ist, zwei Tassen Wasser über die Früchte zu gießen und eine Weile kochen zu lassen.

REINIGUNG UND PFLEGE

- Schalten Sie den Trockner vor der Reinigung aus und ziehen Sie den Netzstecker aus der Steckdose heraus.
- Tauchen Sie den Trockner, das Netzkabel und den Netzstecker ins Wasser oder jegliche andere Flüssigkeiten nicht ein.
- Waschen Sie den Deckel (1) und die Trocknungsgitter (2) mit Warmwasser und einem neutralen Waschmittel, spülen und trocknen Sie sie ab.
- Sie können zum Spülen des Deckels (1) und der Gitter (2) die Spülmaschine verwenden, indem Sie den niedrigen Temperaturmodus einstellen.
- Entfernen Sie mögliche Krümel von Lebensmitteln aus dem Trockner und wischen Sie den Trockner mit einem leicht feuchten Tuch ab, danach wischen Sie ihn trocken.
- Wischen Sie die Oberfläche des Gehäuses (3) des Trockners mit einem leicht feuchten Tuch, danach trocknen Sie sie ab.
- Lassen Sie keine Feuchtigkeit ins Gehäuse (3).
- Verwenden Sie keine Stahlwolle, Scheuer- oder Lösungsmittel zum Reinigen des Deckels (1), der Gitter (2) und des Gehäuses (3).

AUFBEWAHRUNG

- Reinigen Sie den Trockner, bevor Sie ihn zur Aufbewahrung wegnehmen.
- Bewahren Sie den Trockner an einem trockenen, kühlen und für Kinder und behinderte Personen unzugänglichen Ort auf.

Empfohlene Nahrungsmittel-Trocknungstemperatur

Nahrungsmittel	Temperatur (°C)
Kräuter, Kräutergewürze	35-40
Gemüse	40-55
Obst	55-60
Fleisch, Fisch	60-70

Die Tabellenangaben zur Nahrungsmittel-Trocknungstemperatur sind empfehlend.

Trocknungszeittabelle für Früchte und Beeren

Nahrungsmittel	Vorbereitung	Stand nach dem Trocknen	Trocknungszeit (Std)
Aprikosen, Pflirsiche	Halbieren, Kerne entfernen	Weich	12-28
Bananen	Schälen und in 3-4 mm dicke Scheiben schneiden	Knusperig	7-28
Weintrauben, besser kernlos	Ganz trocknen	Weich	8-34
Birne	In Stücke schneiden	Weich	8-28
Moosbeeren	Ganz trocknen	Weich	6-26

Trocknungszeittabelle für Gemüse und Kräuter

Nahrungsmittel	Vorbereitung	Stand nach dem Trocknen	Trocknungszeit (Std)
Auberginen	Schälen und in Stücke schneiden	Bröcklig	6-18
Pilze	Kleine ganz trocknen, große schneiden	Bröcklig	6-14
Zucchini	In ca. 10x10 mm Würfel schneiden	Bröcklig	6-18

Blumenkohl	Weich vorkochen	Hart	6-16
Kartoffeln	5-10 Minuten vorkochen, in Scheiben oder Stücke schneiden	Knusperig	8-30
Zwiebel	Dünnscheibig schneiden	Knusperig	8-14
Karotte	Weich vorkochen und in ca. 8x8 mm Scheiben oder Würfel schneiden	Bröcklig	8-14
Speisepaprika	In Streifen, Scheiben oder Stücke schneiden	Bröcklig	4-14
Petersilie	Mit Stielen trocknen, danach Blätter von Stielen trennen und aufbewahren	Bröcklig	2-10
Tomaten	Schälen, in ca. 3-5 mm Stücke oder Scheiben schneiden	Hart	8-24
Wurzelsellerie	In ca. 6x6 mm Würfel schneiden	Bröcklig	6-14
Knoblauch	Scheibig schneiden	Knusperig	6-16
Spinat	Leicht vorkochen	Knusperig	6-16

Die Tabellenangaben zur Nahrungsmittel-Trocknungstemperatur sind empfehlend.

LIEFERUMFANG

1. Trockner – 1 Stk.
2. Bedienungsanleitung– 1 Stk.

TECHNISCHE ANGABEN

- Stromversorgung: 220-240 V, ~ 50-60 Hz
- Nennleistungsaufnahme: 250 W

ENTSORGUNG



Um ein mögliches Schaden für die Umwelt oder die menschliche Gesundheit durch unkontrollierte Abfallentsorgung zu vermeiden, werfen Sie das Gerät und die Batterien (falls mitgeliefert) nach Beendigung ihrer Nutzungsdauer zusammen mit

gewöhnlichen Haushaltsabfällen nicht weg, geben Sie das Gerät und die Batterien in die Spezialpunkte für weitere Entsorgung über.

Die bei der Entsorgung der Erzeugnisse entstehenden Abfälle sind unbedingt zu sammeln und weiter ordnungsmäßig zu entsorgen.

Mehrere Information zur Entsorgung dieses Lebensmittels erhalten Sie bei Ihrer lokalen Stadtverwaltung, einem Abfallentsorgungsdienst oder beim Geschäft, wo Sie dieses Lebensmittel gekauft haben.

Der Hersteller behält sich das Recht vor, das Design, die Konstruktion und die das gemeine Gerätebetriebsprinzip nicht beeinflussende technische Eigenschaften ohne Vorbenachrichtigung zu verändern.

Die Gerätenutzungsdauer beträgt 3 Jahre


Das Herstellungsdatum ist in der Fabrikationsnummer angegeben.

Bei Störungsfeststellung wenden Sie sich baldigst an einen autorisierten Kundendienst.

СУШИЛКА ДЛЯ ПРОДУКТОВ BR1902

Используйте электрическую сушилку для сушки фруктов, овощей, лекарственных или пряных трав, рыбы, постного мяса и т.п.

ОПИСАНИЕ

1. Крышка
2. Решётки для сушки
3. Корпус
4. Кнопка включения/выключения «»
5. Кнопки установки температуры/времени работы «+/-»
6. Дисплей
7. Кнопка установки температуры/времени работы «SET»

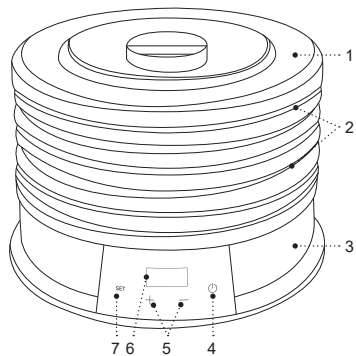


Рис. 1

МЕРЫ БЕЗОПАСНОСТИ И РЕКОМЕНДАЦИИ ПО ЭКСПЛУАТАЦИИ

Перед использованием сушилки для продуктов (далее сушилка) внимательно ознакомьтесь с руководством по эксплуатации, после прочтения сохраните его для использования в будущем.

- Используйте сушилку только по её прямому назначению, как изложено в данной инструкции.
- Неправильное обращение с сушилкой может привести к её поломке, причинению вреда пользователю или его имуществу и не является гарантийным случаем.
- Убедитесь, что рабочее напряжение устройства, указанное на этикетке, соответствует напряжению электросети.
- Запрещается подключать устройство к внешним таймерам или к электрическим розеткам с дистанционным управлением.
- Устанавливайте и используйте сушилку на ровной, сухой, устойчивой, термостойкой поверхности так, чтобы доступ к сетевой розетке всегда был свободным.
- Запрещается использовать устройство вне помещений.
- Не рекомендуется использовать устройство во время грозы.
- Оберегайте сушилку от ударов, падений, вибраций и иных механических воздействий.

- Не оставляйте устройство, включённое в сеть, без присмотра.
- Не используйте устройство в непосредственной близости от нагревательных приборов, источников тепла или открытого пламени.
- Запрещается использовать сушилку в местах, где используются или распыляются аэрозоли, а также вблизи от легковоспламеняющихся жидкостей.
- Не используйте сушилку вблизи от кухонной раковины, в ваннных комнатах, около бассейнов или других ёмкостей, наполненных водой.
- Если сушилка упала в воду, немедленно выньте вилку шнура питания из электрической розетки, и только после этого можно достать устройство из воды. Обратитесь в сервисный центр для осмотра или ремонта устройства.
- Не допускайте, чтобы шнур питания касался горячих поверхностей и острых кромок мебели.
- Запрещается использовать сушилку для хранения каких-либо посторонних предметов, легковоспламеняющихся веществ, бумаги или продуктов.
- Для сушки продуктов используйте решётки, входящие в комплект поставки.

ВНИМАНИЕ! Внешние и внутренние поверхности устройства при эксплуатации подвержены нагреву. Не касайтесь горячих поверхностей устройства, снимая решётки пользуйтесь кухонными прихватками.

- Во время работы сушилки не снимайте крышку на длительное время, если вы сняли крышку, чтобы проконтролировать процесс сушки, то соблюдайте осторожность и не располагайте лицо или другие открытые участки тела над решётками для сушки, во избежание получения ожога горячим воздухом.
- Не перемещайте горячую сушилку, дождитесь полного её остывания.
- Используйте устройство в местах с хорошей вентиляцией.
- Используйте только те детали сушилки, которые входят в комплект поставки.
- Отключайте устройство от электросети после использования или перед чисткой. При отключении сушилки от электрической сети держитесь за вилку шнура питания и аккуратно выньте её из электрической розетки, не тяните за шнур питания — это может привести к его повреждению и вызвать короткое замыкание.
- Не прикасайтесь к корпусу устройства, к шнуру питания и к вилке шнура питания мокрыми руками.
- Из соображений безопасности детей не оставляйте полиэтиленовые пакеты, используемые в качестве упаковки, без надзора.

ВНИМАНИЕ! Не разрешайте детям играть с полиэтиленовыми пакетами или упаковочной плёнкой.
Опасность удушья!

- Устройство не предназначено для использования детьми.
- Осуществляйте надзор за детьми, чтобы не допустить использования устройства в качестве игрушки.
- Не разрешайте детям прикасаться к рабочей поверхности, к корпусу устройства, к шнуру питания или к вилке шнура питания во время работы устройства.
- Будьте особенно внимательны, если поблизости от работающего устройства находятся дети или лица с ограниченными возможностями.
- Во время работы и в перерывах между рабочими циклами размещайте устройство в местах, недоступных для детей.
- Прибор не предназначен для использования лицами (включая детей) с пониженными физическими, сенсорными, психическими или умственными способностями, или при отсутствии у них опыта или знаний, если они не находятся под контролем или не проинструктированы лицом, ответственным за их безопасность, об использовании прибора.

- Периодически проверяйте целостность шнура питания.
- При повреждении шнура питания его замену, во избежание опасности, должны производить изготовитель, сервисная служба или подобный квалифицированный персонал.
- Запрещается самостоятельно ремонтировать устройство. Не разбирайте устройство самостоятельно, при возникновении любых неисправностей, а также после падения устройства отключите его от электросети и обратитесь в авторизованный сервисный центр.
- Во избежание повреждений перевозите устройство в заводской упаковке.
- Храните устройство в сухом прохладном месте, недоступном для детей и людей с ограниченными возможностями.

УСТРОЙСТВО ПРЕДНАЗНАЧЕНО ТОЛЬКО ДЛЯ БЫТОВОГО ИСПОЛЬЗОВАНИЯ, ЗАПРЕЩАЕТСЯ ИСПОЛЬЗОВАТЬ УСТРОЙСТВО В КОММЕРЧЕСКИХ ИЛИ ЛАБОРАТОРНЫХ ЦЕЛЯХ.

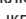
ПЕРЕД ПЕРВЫМ ИСПОЛЬЗОВАНИЕМ


После транспортировки или хранения устройства при отрицательной температуре распакуйте его и подождите 3 часа перед использованием.

- Распакуйте устройство и удалите все упаковочные материалы.

- Сохраните заводскую упаковку.
- Ознакомьтесь с мерами безопасности и рекомендациями по эксплуатации.
- Проверьте комплектацию.
- Осмотрите устройство на наличие повреждений, при наличии повреждений не включайте его в сеть.
- Убедитесь, что указанные параметры напряжения питания устройства соответствуют параметрам электрической сети. При использовании устройства в электрической сети частотой 60 Гц, никаких дополнительных действий не требуется.
- Промойте крышку (1) и решётки для сушки (2) тёплой водой с нейтральным моющим средством, ополосните и просушите.
- Корпус сушилки (3) протрите влажной тканью, затем вытрите насухо.

Внимание! Запрещается погружать корпус сушилки (3) в воду или в любые другие жидкости. Не допускайте попадания воды в вентиляционные отверстия корпуса (3) сушилки.


- Для удаления посторонних запахов от нагревательного элемента, перед первым использованием сушилки рекомендуется включить её без установленных решёток (2) и крышки (1).
- Вставьте вилку шнура питания в электрическую розетку.
- Включите сушилку, нажав кнопку включения/выключения (4) «», при этом на дисплее (6)

- будет отображаться температура и время сушки (о настройках температуры и времени сушки продуктов см. ниже).
- Через 5 – 10 минут выключите сушилку, нажав кнопку включения/выключения (4) «», выньте вилку шнура питания из электрической розетки.

Примечания: при первом включении сушилки возможно появление небольшого количества дыма и постороннего запаха, это допустимо и не является гарантийным случаем.

ИСПОЛЬЗОВАНИЕ СУШИЛКИ

ВНИМАНИЕ! Время сушки каждого продукта подбирается индивидуально и зависит от его размера, естественной влажности, а также от температуры и относительной влажности в помещении. Более подробную информацию смотрите в разделе «Время и температура сушки продуктов», также смотрите таблицы температуры и времени сушки продуктов.

- Перед сушкой продуктов промойте их, обсушите и порежьте на тонкие кусочками или ломтики.
- Разложите продукты на решётках для сушки (2) так, чтобы был свободный проход горячего воздуха между кусочками или ломтиками продуктов.
- Установите решётки (2) на вал (рис. 1). Устанавливайте не менее трёх решёток (2), даже если некоторые из них не заполнены.
- Накройте решётки (2) крышкой (1).
- Вставьте вилку шнура питания в электрическую розетку.
- Включите сушилку, нажав кнопку включения/выключения (4) «», при этом на дисплее (6) будет отображаться температура «70°C» и время сушки «12:00» часов.
- Для установки температуры сушки продуктов нажмите кнопку установки температуры/времени работы (7) «SET», нажатием кнопок (5) «+» или «-», установите температуру сушки. Возможный диапазон установки температуры от 35°C до 70°C.
- Для установки времени сушки продуктов ещё раз нажмите кнопку установки температуры/времени работы (7) «SET», нажатием кнопок (5) «+» или «-», установите время сушки. Возможный диапазон установки времени от 1 часа до 48 часов.
- Горячий воздух поступает снизу решёток (2) (рис. 1), вращение решёток (2) обеспечивает равномерный обдув продуктов горячим воздухом, но продукты, расположенные на нижних решётках (2), более подвержены воздействию горячего воздуха и высыхают быстрее. Для обеспечения равномерной сушки продуктов, рекомендуется укладывать более влажные продукты на нижние решётки (2).
- Рекомендуется каждый час, или через каждые два часа проверять продукты на готовность. Если продукты сушатся неравномерно, вы можете перевернуть их или поменять местами решётки (2) местами.

- Перед тем, как поменять решётки (2) местами, выключите сушилку, нажав кнопку включения/выключения (4) «U».
- По окончании сушки продуктов, выключите сушилку, нажав кнопку включения/выключения (4) «U», выньте вилку шнура питания из электрической розетки и дождитесь остывания сушилки.
- Выньте продукты и поместите их в тару, предназначенную для хранения.

РЕКОМЕНДАЦИИ

ВНИМАНИЕ!

- Для предупреждения пищевых отравлений или кишечных заболеваний строго соблюдайте ниже следующие рекомендации:
 - следите за чистотой решёток (2), после каждого использования сушилки промывайте решётки (2) и крышку (1) тёплой водой с нейтральным моющим средством, ополосните и просушите.
 - тщательно вымойте руки перед подготовкой продуктов к сушке, если на ваших руках есть порезы, язвы, или если вы страдаете кожными заболеваниями, не касайтесь продуктов руками, используйте медицинские перчатки.
 - проверяя готовность продуктов используйте вилку или другие кухонные аксессуары, не касайтесь продуктов руками.
 - следите за тем, чтобы домашние животные не находились рядом с сушилкой во время её работы.

Выбор фруктов и овощей

- Используйте только спелые фрукты и свежие овощи. Неспелые плоды фруктов, во время сушки, могут приобрести посторонний привкус, перезревшие фрукты могут менять свой цвет.
- Овощи содержат меньшее количество сахаров и кислот, поэтому не все пригодны для сушки, например, брокколи или спаржу, рекомендуется не сушить, а замораживать.
- Сушеные фрукты и овощи должны быть слегка мягкими и без влаги, пересушенные фрукты и овощи легко крошатся и содержат меньше питательных веществ.

Подготовка фруктов и овощей

- Перед сушкой тщательно промойте фрукты или овощи и просушите их.
- Удалите у фруктов плодоножки, косточки.
- Если на овощах толстая кожица, срежьте её.
- Порежьте фрукты или овощи ломтиками или кубиками, ягоды, например, виноград, сушите целиком.

Предварительная обработка фруктов

- Некоторые фрукты покрыты слоем воска, для удаления воска можно срезать кожицу или опустить фрукты в кипящую воду на 1 минуту.
- Для сохранения естественного цвета фруктов используйте сок лимона, апельсина или лайма. Опустите нарезанные кусочки фруктов в сок на

- 2-4 минуты, выньте их, обсушите и положите на решётки для сушки (2).
- Для усиления вкуса фруктов используйте натуральный сок из тех фруктов, которые будут сушиться, например, яблочных сок для яблок. Приблизительно 50-60 мл сока разведите в 400 мл кипячёной воды, опустите в раствор сока нарезанные фрукты, приблизительно на 1-2 часа, выньте фрукты, обсушите их и выложите на решётки (2).

Предварительная обработка овощей

- Для предотвращения изменения вкуса в процессе сушки и хранения, рекомендуется провести предварительную обработку овощей.
- Овощи можно обработать паром или на некоторое время поместить в микроволновую печь, эти методы предварительной обработки, предпочтительнее обработки овощей кипятком.
- При использовании пароварки, положите овощи на верхний лоток пароварки и прогрейте их в течение 2-3 минут, после этого переложите овощи на решётки (2).
- Положите овощи в подходящую ёмкость, предназначенную для использования в СВЧ-печах, и добавьте небольшое количество воды. Накройте ёмкость крышкой и поставьте её в микроволновую печь. Установите время работы, которое составляет «четверть» времени варки овощей, указанно в инструкции к вашей СВЧ-печи. Готовые овощи переложите на решётки (2).

- Можно опустить нарезанные овощи в кипящую воду на 2-4 минуты, после этого достать, обсушить и выложить на решётки (2).

Рекомендации по сушке рыбы и мяса

- Используйте для сушки только свежую рыбу и постное мясо без жира, например, говядину или птицу.
- Перед сушкой рыбы или мяса необходима обязательная предварительная подготовка продуктов, которая сохранит ваше здоровье и является обязательной, поэтому предварительно замаринуйте или отварите продукты перед сушкой.
- Высушенную рыбу и мясо используйте для приготовления первых или вторых блюд.
- Перед приготовлением блюд, рекомендуется предварительно замочить сухую рыбу и мясо в воде или в бульоне, приблизительно на один час.

Рецепт маринада для мяса:

- 100 мл соевого соуса
- 1 чайная ложка измельчённого чеснока
- 2 столовые ложки томатной пасты
- соль и специи добавляйте по вкусу

Сушка мяса

- Говядину или мясо птицы порежьте поперёк волокон на небольшие кусочки. Маринуйте мясо 2-3 часа, после этого выньте мясо, обсушите и разложите на решётки (2).

- Время сушки мяса, приблизительно от 8 до 15 часов при температуре сушки 60-70°C.
- Храните сухое мясо в герметичной упаковке, при комнатной температуре не более 2 недель, в холодильнике – не более 3 месяцев.

Сушка рыбы

- Используйте для сушки только свежую рыбу, не используйте замороженную рыбу.
- Выньте из рыбы кости и порежьте её на кусочки.
- Положите кусочки рыбы в соляной раствор (100 г соли на 1 литр воды), поставьте ёмкость с рыбой на 30 минут в холодильник, выньте кусочки рыбы, обсушите и разложите на решётки (2).
- Сушите рыбу до тех пор, пока из неё не перестанет выделяться сок.
- Храните сушеную рыбу в герметичной упаковке в холодильнике не более 3 месяцев.

Сушка уже приготовленной рыбы и мяса

- Отварите рыбу или мясо.
- Выньте из рыбы кости, с мяса срежьте излишки жира, порежьте продукты на кусочки и разложите на решётки (2).
- Сушите продукты до готовности.
- Храните рыбу и мясо в герметичной упаковке, при комнатной температуре не более 2 недель, в холодильнике – не более 3 месяцев.

Сушка зелени, пряных трав или цветов

- Для сушки можно использовать свежую зелень, любые пряные травы или цветы.
- Сушите зелень и пряные травы вместе со стеблями, после сушки отделите листья от стеблей и уберите на хранение в герметичную упаковку.
- Перед тем, как убрать травы на хранение, убедитесь в том, что они хорошо высушены, в противном случае травы могут испортиться.
- Высушенные цветы можно использовать для гербария или составления ароматных саше.

Хранение высушенных продуктов

- Высушенные продукты должны содержать менее 20% влаги, пересушенные фрукты и овощи теряют свою пищевую ценность и вкусовые качества. Рекомендации о состоянии высушенных продуктов приведены в таблицах.
- Использование правильной упаковки для высушенных продуктов, увеличивает срок их хранения.
- Перед тем, как убрать продукты на хранение, дайте им полностью остыть, после этого положите их в герметичную упаковку. Наилучшие результаты хранения продуктов в вакуумных контейнерах или вакуумных пакетах.
- Обязательно нанесите маркировку на контейнер или пакет, о наименовании продукта и дату упаковки.
- Храните продукты в прохладном тёмном месте с температурой не выше 15°C, можно хранить продукты

в холодильном или морозильном отделении холодильника.

ВРЕМЯ И ТЕМПЕРАТУРА СУШКИ ПРОДУКТОВ

- Время сушки каждого продукта подбирается индивидуально и зависит от качества и размера продукта, от температуры и относительной влажности в помещении, где производится сушка продуктов.
- Приведённые в таблице данные о температуре и времени сушки продуктов носят рекомендательный характер.
- По мере освоения сушилки, вы сможете сами подбирать температуру и время сушки продуктов.

Примечание: если продукты не успели высохнуть за один приём, вы можете продолжить сушку в другое удобное время. Выключите сушилку, дождитесь остывания продуктов до комнатной температуры на решётках (2), переложите продукты в пищевые контейнеры или пакеты и уберите их в холодильное или морозильное отделение холодильника.

Использование высушенных фруктов и овощей

В высушенных продуктах можно повторно восстановить необходимую влажность, предлагается несколько способов:

- Фрукты и овощи замочите в холодной воде в течение 2-6 часов, убедитесь, что они не нагреваются в процессе замачивания.

- Можно залить фрукты или овощи кипящей водой на 5-10 минут и дождитесь необходимого результата.
- Вы также можете восстановить влажность продуктов, приготовив их. Во время приготовления не рекомендуется добавлять различные приправы и сахар. Общее правило – залейте фрукты двумя чашки воды и дайте им некоторое время повариться.

ЧИСТКА И УХОД

- Перед чисткой выключите сушилку и выньте вилку шнура питания из электрической розетки.
- Запрещается погружать сушилку, шнур питания и вилку шнура питания в воду или любую другую жидкость.
- Промойте крышку (1) и решётки для сушки (2) тёплой водой с нейтральным моющим средством, ополосните и просушите.
- Можно использовать для промывки крышки (1) и решёток (2) посудомоечную машину, установив низкотемпературный режим.
- Удалите из сушилки возможные крошки от продуктов и протрите сушку внутри, слегка влажной тканью после этого вытрите насухо.
- Протрите поверхность корпуса (3) сушилки слегка влажной тканью, после чего вытрите насухо.
- Не допускайте попадания влаги во внутрь корпуса (3).

- Не используйте для чистки крышки (1), решётки (2), корпуса (3) металлические мочалки, абразивные чистящие средства или растворители.

ХРАНЕНИЕ

- Перед тем, как убрать сушилку на хранение проведите её чистку.
- Храните сушилку в сухом прохладном месте, недоступном для детей и людей с ограниченными возможностями.

Рекомендуемая температура сушки продуктов

Продукты	Температура (°C)
Зелень, пряные травы	35-40
Овощи	40-55
Фрукты	55-60
Мясо, рыба	60-70

Приведённые в таблице данные о температуре сушки продуктов носят рекомендательный характер.

Таблица времени сушки фруктов и ягод

Продукты	Подготовка	Состояние после сушки	Продолжительность сушки (час)
Абрикосы, персики	Разрежьте на половинки, удалить косточку	Мягкие	12-28
Бананы	Очистите и порежьте ломтиками толщиной 3-4 мм	Хрустящие	7-28
Виноград, предпочтительно сорта без косточек	Сушите целиком	Мягкий	8-34

Груша	Нарежьте кусочками	Мягкая	8-28
Клюква	Сушите целиком	Мягкая	6-26

Таблица времени сушки овощей и трав

Продукты	Подготовка	Состояние после сушки	Продолжительность сушки (час)
Баклажаны	Очистить и нарезать кусочками	Хрупкие	6-18
Грибы	Мелкие сушить целиком, крупные нарезать	Хрупкие	6-14
Кабачки	Нарезать кубиками, приблизительно 10x10 мм	Хрупкие	6-18
Цветная капуста	Предварительно отварить до мягкости	Твёрдая	6-16
Картофель	Предварительно отварить 5-10 минут, нарезать ломтиками или кусочками.	Хрустящий	8-30
Лук	Нарезать тонкими кружками	Хрустящий	8-14
Морковь	Предварительно отварить до мягкости, нарезать кружками или кубиками, приблизительно 8x8 мм	Хрупкая	8-14
Сладкий перец	Нарезать полосками, кружками или кусочками	Хрупкий	4-14
Петрушка	Сушите вместе со стеблями, после сушки, отделите листья от стеблей и уберите на хранение	Хрупкая	2-10

Помидоры	Предварительно очистите, нарежьте кусочками или ломтиками толщиной около 3-5 мм	Твёрдые	8-24
Сельдерей (корневой)	Нарежьте кубиками толщиной около 6x6 мм	Хрупкий	6-14
Чеснок	Нарежьте ломтиками	Хрустящий	6-16
Шпинат	Предварительно слегка отварите	Хрустящий	6-16

Приведённые в таблицах данные о времени сушки продуктов носят рекомендательный характер.

КОМПЛЕКТАЦИЯ

1. Сушилка - 1 шт.
2. Инструкция — 1 шт.

ТЕХНИЧЕСКИЕ ХАРАКТЕРИСТИКИ

- Электропитание: 220-240 В, ~ 50-60 Гц
- Номинальная потребляемая мощность: 250 Вт

УТИЛИЗАЦИЯ



Чтобы предотвратить возможный вред окружающей среде или здоровью людей от неконтролируемой утилизации отходов, после окончания срока службы устройства или элементов питания (если входят в комплект), не выбрасывайте их вместе с обычными бытовыми отходами, передайте прибор и элементы питания в специализированные пункты для дальнейшей утилизации.

Отходы, образующиеся при утилизации изделий, подлежат обязательному сбору с последующей утилизацией в установленном порядке.

Для получения дополнительной информации об утилизации данного продукта обратитесь в местный муниципалитет, службу утилизации бытовых отходов или в магазин, где Вы приобрели данный продукт.

Производитель сохраняет за собой право изменять дизайн, конструкцию и технические характеристики, не влияющие на общие принципы работы устройства, без предварительного уведомления.

Срок службы устройства — 3 года

Дата производства указана в серийном номере.

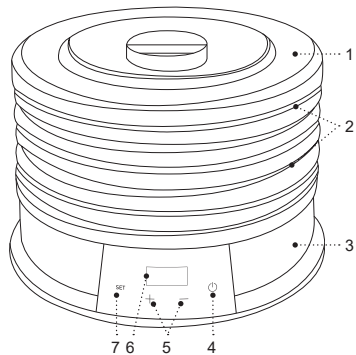
В случае обнаружения каких-либо неисправностей необходимо обратиться в авторизованный сервисный центр.

ӨНІМДЕРГЕ АРНАЛҒАН КЕПТІР- ГІШ BR1902

Электр кептіргішті жемістерді, көкөністерді, дәрілік немесе дәмдеуіш шөптерді, балықты, майсыз етті және т.б. кептіру үшін қолданыңыз.

СИПАТТАМАСЫ

1. Қақпақ
2. Кептіруге арналған торлар
3. Корпусы
4. Іске қосу/сөндіру түймесі «**⏻**»
5. Температураны/жұмыс уақытын орнату түймелері «**+/-**»
6. Дисплей
7. Температураны/жұмыс уақытын орнату түймесі «**SET**»



Сур. 1

ҚАУІПСІЗДІК ШАРАЛАРЫ ЖӘНЕ ПАЙДАЛАНУ БОЙЫНША НҰСҚАУЛЫҚТАР

Кептіргіш пайдалану алдында пайдалану жөніндегі нұсқаулықты мұқият оқып шығыңыз, оқыған соң, болашақта пайдалану үшін сақтап қойыңыз.

- Кептіргіш осы нұсқаулықта баяндалғандай, тікелей мақсаты бойынша ғана пайдаланыңыз.
- Кептіргіш дұрыс қолданбау оның бұзылуына, және пайдаланушыға немесе оның мүлкіне зиян келтіруге әкеп соғуы мүмкін және кепілдік жағдайы болып табылмайды.
- Заттаңбада көрсетілген құрылғының жұмыс кернеуі, электр желісінің кернеуіне сәйкес екеніне көз жеткізіңіз.
- Қуаттандыру бауының ашасын жерге қосудың сенімді байланысы бар электр розеткасына салыңыз.
- Құрылғыны сыртқы таймерлерге немесе қашықтықтан басқарылатын электр розеткаларға қосуға тыйым салынады.
- Өрт шығу қауіпін болдырмау үшін, Кептіргіш электр розеткасына қосар алдында «жалғасты-рғыштарды» пайдалануға тыйым салынады.
- Кептіргіш желі розеткасына кіру әрқашан бос болатындай етіп тегіс, құрғақ, орнықты, термо төзімді бетке орнатыңыз және пайдаланыңыз.
- Құрылғыны үй-жайдан тыс жерде пайдалануға тыйым салынады.
- Найзағай кезінде құрылғыны пайдалану ұсынылмайды.
- Кептіргіш соққыдан, құлаудан, дірілден және басқа да механикалық әсерлерден сақтаңыз.
- Желіге қосылған құрылғыны, қараусыз қалдырмаңыз.
- Құрылғыны жылу көздерінің, жылыту аспаптарының немесе ашық оттың тікелей жанында пайдаланбаңыз.
- Кептіргіш аэрозольдер пайдаланылатын немесе шашырайтын жерлерде, сондай-ақ тез тұтанатын сұйықтықтарға жақын жерлерде пайдалануға тыйым салынады.
- Кептіргіш ас үй раковинасына жақын, жуынатын бөлмеде, бассейндер немесе басқа да су толтырылған сыйымдылықтарға жақын жерде пайдаланбаңыз.
- Сушилку суға құлап кеткен жағдайда, дереу желі бауының ашасын электр розеткасынан сурыңыз, содан кейін ғана құрылғыны судан алып шығуға болады. Құралды тексеру немесе жөндеу үшін рұқсаты бар сервис орталығына хабарласыңыз.
- Қуаттандыру бауының ыстық беттерге және жиһаздың өткір жиектеріне тиюін болдырмаңыз.
- Шағын пешті қандай да бір бөтен заттарды, оңай тұтынатын заттарды, қағаздарды немесе азықтарды сақтау үшін қолдануға тыйым салынады.
- Азықтарды дайындау үшін торды немене қаңылтыр табаны пайдалану керек, тұмшاپешке арналған термотұрақты ыдыстарды пайдалануға жол беріледі.

- Шағын пеште азықтарды пластикалық немесе қағаз қаптамада қыздыруға тыйым салынады.

НАЗАР АУДАРЫҢЫЗ! Пайдалануға беру кезінде құралдың ішкі және сыртқы беттері қатты қыздырылады. Құралдың ыстық беттеріне қол тигізбеңіз, торды немесе қаңылтыр табаны шығарған кезде асуі орамалдарын пайдалану керек.

- Кептіргіш жұмыс істеп тұрған кезде қақпақты ұзақ уақытқа шешіп алмаңыз, егер сіз кептіру процесін бақылау үшін қақпақты шешіп алсаңыз, онда ыстық ауамен күйіп қалмас үшін бетті немесе дененің басқа ашық жерлерін кептіру торларының үстіне ұстамаңыз.
- Ыстық Кептіргіш жылжытпаңыз, оның толық салқын-дауын күтіңіз.
- Құрылғыны желдетуі жақсы жерлерде пайдалы-ныңыз.
- Кептіргіш жеткізу жиынтығына кіретін бөлшектерін ғана қолданыңыз.
- Құрылғыны пайдаланып болғаннан кейін немесе тазалау алдында міндетті түрде сөндіріңіз. Кептіргіш электр желісінен ажыратқан кезде тек желі бауының ашасынан ұстаңыз және оны электр розеткасынан абайлап шығарыңыз, желі бауынан тартпаңыз — бұл оның зақымдануына әкеліп, қысқа тұйықталуын тудыруы мүмкін.
- Құрылғы корпусын, желі бауын және желі бауының ашасын су қолмен ұстамаңыз.

- Балалардың қауіпсіздігі үшін қаптама ретінде пайдаланылатын полиэтилен пакеттерді қадағала-усыз қалдырмаңыз.

Назар аударыңыз! Балаларға полиэтилен пакет-терімен немесе қаптама үлдірімен ойнауға рұқсат етпеңіз. **Тұншығу қаупі!**

- Құрылғы балалардың пайдалануына арналмаған.
- Құрылғыны ойыншық ретінде пайдалануын бол-дырмау үшін, балаларды қадағалаңыз.
- Құрылғы жұмыс істеп тұрғанда балалар жұмыс бетіне, құрылғы корпусына, желі бауына немесе желі бауының ашасына жақындауына рұқсат бермеңіз.
- Егер жұмыс істеп тұрған құрылғының маңында балалар немесе мүмкіндіктері шектеулі адамдар болса, онда ерекше мұқият болыңыз.
- Жұмыс істеу уақытында және жұмыс циклдері арасындағы үзілістерде құрылғыны балалардың қолы жетпейтін жерде орналастырыңыз.
- Аспап дене, жүйке немесе сана мүмкіндіктері төмендетілген тұлғалардың (балаларды қоса) пайдалануына арналмаған, сондай-ақ егер олардың тәжірибесі немесе білімі болмаса, егер олар бақыланбаса немесе олардың қауіпсіздігі үшін жауап беретін тұлғамен аспапты пайдалану туралы нұсқаулықтар берілмесе.
- Желі бауының бүтіндігін мезгілімен тексеріп отырыңыз.

- Қуаттандыру бауы зақымданғанда қауіп тудырмау үшін оны дайындаушы, сервистік қызмет немесе баламалы білікті маман ауыстыруы тиіс.
- Құрылғыны өздігіңізден жөндеуге тыйым салынады. Құрылғыны өз бетіңізбен бөлшектемеңіз, кез-келген ақаулықтар пайда болған кезде, сондай-ақ құрылғы құлағаннан кейін оны электр желісінен ажыратыңыз және авторланған сервистік орталыққа жүгініңіз.
- Құрылғыны зақымдамау үшін, оны тек зауыт қаптамасында тасымалдаңыз.
- Құрылғыны салқын және құрғақ жерде, балалардың және мүмкіндігі шектеулі адамдардың қолы жетпейтін жерде сақтаңыз.

ҚҰРЫЛҒЫ ТЕК ТҰРМЫСТЫҚ ПАЙДАЛАНУҒА ҒАНА АРНАЛҒАН, ҚҰРЫЛҒЫНЫ КОММЕРЦИЈАЛЫҚ НЕМЕСЕ ЗЕРТХАНАЛЫҚ МАҚСАТТАРДА ПАЙДАЛАНУҒА ТЫЙЫМ САЛЫНАДЫ.


АЛҒАШ РЕТ ПАЙДАЛУ АЛДЫНДА

Құралды кері температурада тасымалдағаннан немесе сақтағаннан кейін оны қаптамадан шығарыңыз және пайдалану алдында 3 сағат күтіңіз.

- Құралды қаптамадан шығарыңыз және барлық қаптама материалдарын жойыңыз.
- Зауыт қаптамасын сақтаңыз.
- Қауіпсіздік шаралары мен пайдалану нұсқауларымен танысыңыз.

- Жинақталымын тексеріңіз.
- Құралды зақымдануына қатысты байқаңыз зақымдануы болған жағдайда оны желіге қоспаңыз.
- Құралдың көрсетілген қуаттандыру кернеуі параметрлері электр желісінің параметрлеріне сәйкес келетініне көз жеткізіңіз. Құрылғыны 60 Гц жиіліктегі электр желісінде пайдаланғанда, ешқандай қосымша әрекет қажет емес.
- Қақпақты (1) және кептіруге арналған торларды (2) бейтарап жуғыш зат қосылған жылы сумен жуып жіберіңіз, шайыңыз және құрғатыңыз.
- Аспап корпусын (3) дымқыл матамен сүртіңіз, содан кейін құрғатып сүртіңіз.

Назар аударыңыз! Кептіргіш корпусын (3) суға немесе басқа кез-келген сұйықтықтарға салуға тыйым салынады. Кептіргіш корпусының (3) желдеткіш саңылауларына судың тиюіне жол бермеңіз.

- Қыздырғыш элементтен бөгде иістерді кетіру үшін кептіргішті бірінші рет қолданар алдында оны орнатылған торсыз (2) және қақпақсыз (1) қосу ұсынылады.
- Желілік сымның айырын электр розеткасына қосыңыз.
- Қосу/өшіру түймесін (4) «» басу арқылы кептіргішті қосыңыз, осы ретте дисплейде (6) температура мен кептіру уақыты көрсетіледі (температура мен өнімдерді кептіру уақытының реттемелері туралы төменде қараңыз).

- 5-10 минуттан кейін түймені қосу/өшіру (4) « \cup » басып, кептіргішті өшіріңіз, қуат бауының ашасын электр розеткасынан суырып алыңыз.

Ескертпелер: кептіргішті бірінші рет қосқан кезде аз мөлшерде түтін мен бөтен иіс пайда болуы мүмкін, бұл қалыпты және кепілдік жағадайы болып табылмайды.

КЕПТІРГІШТІ ҚОЛДАНУ

НАЗАР АУДАРЫҢЫЗ! Әр өнімді кептіру уақыты жеке таңдалады және оның көлеміне, табиғи ылғалдылығына, бөлмедегі температура мен салыстырмалы ылғалдылыққа байланысты болады. Толығырақ ақпаратты «Өнімді кептіру уақыты мен температурасы» бөлімінен, сондай-ақ өнімді кептіру температурасы мен уақыты кестелерінен қараңыз.

- Өнімдерді кептіру алдында оларды жуыңыз, кептіріңіз және жұқа кесектерге немесе тілімдерге кесіңіз.
- Өнімдерді кептіруге арналған торларда (2) өнімдер бөліктері мен тілімдері арасынан ыстық ауаның еркін өтуі қамтамасыз етілетіндей етіп орналастырыңыз.
- Торларды (2) білікке орнатыңыз (сур. 1). Егер олардың кейбіреулері толтырылмаса да, кем дегенде үш торды (2) орнатыңыз.
- Торларды (2) қақпақпен (1) жабыңыз.
- Қуат бауының ашасын электр розеткасына салыңыз.

- Қосу/өшіру түймесін (4) « \cup » басу арқылы кептіргішті қосыңыз, осы ретте дисплейде (6) «70°C» температура және кептіру уақыты «12:00» сағат көрсетіледі.
- Өнімдерді кептіру температурасын орнату үшін температураны/жұмыс уақытын орнату түймесін (7) «SET» басыңыз, (5) «+ немесе -» түймелерін басып, кептіру температурасын орнатыңыз. Температураны орнатудың ықтимал диапазоны 35°C-тан 70°C-қа дейін.
- Өнімдерді кептіру уақытын орнату үшін температураны/жұмыс уақытын орнату түймесін (7) «SET» тағы бір рет басыңыз, (5) «+ немесе -» түймелерін басу арқылы, кептіру уақытын орнатыңыз. Уақыты орнатудың ықтимал диапазоны 1 сағаттан 48 сағатқа дейін.
- Ыстық ауа торлардың (2) астынан келеді (сур. 1), торлардың (2) айналуы өнімдерді ыстық ауамен біркелкі желпуін қамтамасыз етеді, бірақ төменгі торларда (2) орналасқан өнімдер ыстық ауаға көбірек ұшырайды және тезірек келеді. Өнімдерді біркелкі кептіруді қамтамасыз ету үшін дымқылдық өнімдерді төменгі торларға (2) салып орналастыру ұсынылады.
- Әр сағат сайын немесе екі сағат сайын өнімдердің дайындығын тексеру ұсынылады. Егер өнімдер біркелкі кептірілмесе, сіз оларды аудара аласыз немесе торлардың орындарын (2) ауыстыра аласыз.
- Торлардың (2) орындарын ауыстырмас бұрын, қосу/өшіру түймесін (4) « \cup » басып, кептіргішті өшіріңіз.
- Өнімдерді кептіру аяқталғаннан кейін, қосу/өшіру түймесін (4) « \cup » басу арқылы кептіргішті өшіріңіз, қуат сымның ашасын электр розеткасынан суырып алыңыз және кептіргіш салқындағанша күтіңіз.

- Өнімдерді шығарып алыңыз, сақтауға арналған тараға салыңыз.

ҰСЫНЫСТАР

НАЗАР АУДАРЫҢЫЗ!

- Тамақпен улануға және ішек ауруларына жол бермеу үшін төменде келтірілген ұсыныстарды қатаң сақтаңыз:
 - торлардың (2) тазалығын қадағалаңыз, кептіргішті әр қолданғаннан кейін торларды (2) және қақпақты (1) бейтарап жуғыш зат қосылған жылы сумен жуып жіберіңіз, шайыңыз және құрғатыңыз.
 - өнімдерді кептіруге дайындамас бұрын қолыңызды жақсылап жуыңыз, егер сіздің қолыңызда кесілген жер, жаралар болса немесе сіз тері ауруларынан зардап шегіп жүрсеңіз, өнімдерге қолыңызды тигізбеңіз, медициналық қолғапты қолданыңыз.
 - өнімдердің дайындығын тексеру кезінде шанышқыны немесе басқа асуілік аксессуарды қолданыңыз, өнімдерге қолыңызды тигізбеңіз.
 - кептіргіш жұмыс істеп тұрған кезінде жанында үй жануарларының болмауын қадағалаңыз.

Жемістер мен көкөністерді таңдау

- Тек піскен жемістер мен жаңа піскен көкөністерді пайдаланыңыз, пісеген жемістерден кептіру кезінде бөгде дәм шығуы мүмкін, пісуі асып кеткен жемістер түсін өзгертуі мүмкін.

- Көкөністерде қант пен қышқылдар азырақ, сондықтан кептіруге бәрі бірдей қолайлы емес, брокколи немесе спаржаны кептірмей, мұздатуға кеңес беріледі.
- Кептірілген жемістер мен көкөністер сәл жұмсақ және ылғалсыз болуы керек, асыра кептірілген жемістер мен көкөністер жеңіл үгіледі және құрамында құнарлы заттары аз болады.

Жемістер мен көкөністерді дайындау

- Кептіру алдында жемістерді немесе көкөністерді мұқият жуыңыз, және оларды құрғатыңыз.
- Жемістердің сабақтарын, сүйектерін алып тастаңыз, егер жемістерге балауыз жағылған болса.
- Егер көкөністердің қабығы қалың болса, оны кесіп тастаңыз.
- Жемістерді немесе көкөністерді тілімдерге немесе текшелерге кесіңіз, жидектерді, мысалы, жүзімді бүтіндей кептіріңіз.

Жемістерді алдын-ала өңдеу

- Кейбір жемістер балауыз қабатымен жабылған, балауызды кетіру үшін сіз қабығын аршыңыз немесе жемісті 1 минут қайнаған суға салыңыз.
- Жемістің табиғи түсін сақтау үшін лимон, апельсин немесе лайм шырынын қолданыңыз. Кесілген жемістердің бөліктерін шырынға 2-4 минутқа батырыңыз, оларды шығарып алыңыз, құрғатыңыз және кептіру үшін торларға (2) салыңыз.
- Жемістердің дәмін күшейту үшін кептіріліп жатқан жемістердің шырынын пайдаланыңыз (мысалы,

алма шырынын алма үшін). Шамамен 50-60 мл шырынды 400 мл қайнаған суға араластырыңыз, туралған жемістерді шырын ерітіндісіне батырыңыз, шамамен 1-2 сағатқа, жемістерді шығарып алыңыз, құрғатыңыз және торларға (2) салыңыз.

- Көкөністерді алдын-ала өңдеу
- Кептіру және сақтау кезінде дөмінің өзгеруіне жол бермеу үшін көкөністерді алдын-ала өңдеу ұсынылады.
- Көкөністерді бумен өңдеуге болады немесе біраз уақыт микротолқынды пешке салыңыз, бұл алдын-ала өңдеу әдістері көкөністерді қайнаған сумен өңдегеннен жақсырақ.
- Буға пісіргішті қолданған кезде, көкөністерді буға пісіргіштің жоғарғы науасына салыңыз да, оларды 2-3 минут қыздырыңыз, содан кейін көкөністерді торларға (2) салыңыз.
- Көкөністерді АЖЖ пештерде қолдануға арналған қолайлы сыйымдылыққа салыңыз да, аз мөлшерде су қосыңыз. Сыйымдылықты қақпақпен жауып, микротолқынды пешке қойыңыз. Сіздің АЖЖ пешіңіздің нұсқаулығында көрсетілген, көкөністерді пісіру уақытының «төрттен бір бөлігін» құрайтын жұмыс уақытын орнатыңыз. Дайын көкөністерді торларға (2) салыңыз.
- Туралған көкөністерді қайнаған суға 2-4 минутқа салуға болады, содан кейін оны шығарып алып, құрғатып, торларға (2) саласыз.

Балық пен етті кептіру бойынша ұсыныстар

- Кептіру үшін тек жас балықты және майсыз арық етті, мысалы сиыр немесе құс етін қолданыңыз.
- Балықты немесе етті кептірмес бұрын, сіздің денсаулығыңызды сақтау үшін және ол міндетті болып табылады, өнімдерді міндетті түрде алдын-ала дайындау қажет, сондықтан кептіру алдында алдын-ала маринадтаңыз немесе өнімдерді пісіріп алыңыз.
- Кептірілген балық пен етті бірінші немесе екінші тағамдарды дайындау үшін қолданыңыз.
- Тағамдарды даярлау алдында кептірілген балық пен етті суда немесе сорпада шамамен бір сағат алдын-ала жібітіп алу ұсынылады.

Еттің тұздығына арналған рецепт:

- 100 мл соя тұздығы
- 1 шай қасық ұсақталған сарымсақ
- 2 ас қасық томат пастасы
- талғамыңызға қарай тұз бен дәмдеуіштерді қосыңыз

Етті кептіру

- Сиыр етін немесе құс етін кішкене кесектерге талшықтарына көлденең кесіңіз. Етті 2-3 сағат бойы маринадтаңыз, содан кейін етті шығарып алыңыз, құрғатыңыз және торларға (2) жайыңыз.
- Етті кептіру уақыты кептіру температурасы 60-70°C болғанда, шамамен 8-ден 15 сағатқа дейін.
- Кептірілген етті бөлме температурасында, герметикалық қаптамада 2 аптадан асырмай, тоңазытқышта - 3 айдан асырмай сақтаңыз.

Балықты кептіру

- Кептіру үшін тек жас балықты қолданыңыз, мұздатылған балықты пайдаланбаңыз.
- Балықтан сүйектерін алып тастаңыз және оны кесектерге кесіңіз.
- Балық кесектерін тұз ерітіндісіне салыңыз (1 литр суға 100 г тұз), балық салынған ыдысты 30 минутқа тоңазытқышқа қойыңыз, балық кесектерін шығарып алыңыз, құрғатыңыз және торларға (2) жайыңыз.
- Балықты шырыны шығуын тоқтатқанша кептіріңіз.
- Кептірілген балықты герметикалық қаптамада тоңазытқышта 3 айдан асырмай сақтаңыз.

Дайындалған балық пен етті кептіру

- Балықты немесе етті пісіріп алыңыз.
- Балықтан сүйектерін алып тастаңыз, еттен артық майларын кесіп алып тастаңыз, өнімдерді кесектерге бөліп кесіп, торларға (2) жайыңыз.
- Өнімдерді дайын болғанға дейін кептіріңіз.
- Балық пен етті герметикалық қаптамада, бөлме температурасында 2 аптадан асырмай сақтаңыз, тоңазытқышта - 3 айдан асырмай сақтаңыз.

Шөптерді, дәмдеуіш шөптерді немесе гүлдерді кептіру

- Кептіру үшін жас көк шөпті, кез-келген дәмдеуіш шөптерді немесе гүлдерді пайдалануға болады.
- Көк шөпті және дәмдеуіш шөптерді сабақтарымен бірге кептіріңіз, кептіргеннен кейін жапырақтарын сабақтарынан бөліп, ауа өткізбейтін қаптамада сақтаңыз.

- Шөптерді сақтауға қоярдан бұрын, олардың жақсылап кептірілгеніне көз жеткізіңіз, әйтпесе шөптер бүлініп кетуі мүмкін.
- Кептірілген гүлдерді хош иісті саше немесе гербарий жасау үшін пайдалануға болады.

Кептірілген өнімдерді сақтау

- Кептірілген тағамдардағы ылғал 20% - дан азырақ болуы керек, асыра кептірілген жемістер мен көкөністер тағамдық құндылығы мен дәмін жоғалтады. Кептірілген тағамдардың күйі туралы ұсыныстар кестелерде кептірілген.
- Кептірілген өнімдерге арналған дұрыс қаптаманы қолдану олардың сақтау мерзімін арттырады.
- Өнімдерді сақтауға қоярдан бұрын, оларды толығымен суытыңыз, содан кейін оларды ауа өткізбейтін қаптамаға салыңыз. Сақтаудың ең жақсы нәтижелері өнімді вакуумдық контейнерлерде немесе вакуумдық пакеттерде болады.
- Контейнерге немесе пакетке, өнімнің атауы мен орау күні туралы міндетті түрде таңбалауды ұмытпаңыз.
- Өнімдерді салқын, қараңғы, температурасы 15°C-тан аспайтын жерде сақтаңыз, өнімдерді тоңазытқыштың тоңазытқышы немесе мұздатқышы бөлімінде сақтауға болады.

ӨНІМДЕРДІ КЕПТІРУ УАҚЫТЫ МЕН ТЕМПЕРАТУРАСЫ

- Әр өнімді кептіру уақыты жеке таңдалады және өнімнің сапасы мен мөлшеріне, өнімді кептіру жүр-

гізілетін бөлмедегі температура мен салыстырмалы ылғалдылыққа байланысты болады.

- Кестеде келтірілген өнімдерді келтіру температурасы мен уақыты туралы деректер ұсынымдық сипатта болады.
- Келтірілген игерген сайын сіз өнімді келтіру температурасы мен уақытын өзіңіз таңдай аласыз.

Ескертпе: егер өнімдер бірінші реттен кебуге үлгермесе, сіз келтіруді ыңғайлы уақытта жалғастыра аласыз. Келтірілген өнімдерді (2) өнімдер бөлме температурасына дейін суығанша күтіңіз, өнімдерді тамақ контейнерлеріне немесе пакеттерге салып, тоңазытқыштың тоңазытқыш немесе мұздатқыш бөліміне салып қойыңыз.

Келтірілген жемістер мен көкөністерді пайдалану

Келтірілген өнімдерде қажетті ылғалдылықты қайта қалпына келтіруге болады, бірнеше әдістер ұсынылады:

- Жемістер мен көкөністерді суық суға 2-6 сағат жібітіңіз, жібіту кезінде олардың қызымайтындығына көз жеткізіңіз.
- Жемістер мен көкөністерді 5-10 минут қайнап тұрған суға салып, қажетті нәтижені күтесіз.
- Сондай-ақ, оларды пісіру арқылы өнімдердің ылғалдылығын қалпына келтіруге болады. Пісіру кезінде әртүрлі дәмдеуіштер мен қант қосу ұсынылмайды. Жалпы ереже – жемістерге екі тостаған су құйып, біраз уақыт қайнатып пісіріп алыңыз.

ТАЗАРТУ ЖӘНЕ КҮТІМІ

- Келтірілген тазалаудан бұрын, оны өшіріңіз және қуаттандыру бауының ашасын электр розеткасынан суырып алыңыз.
- Келтірілген, қуаттандыру бауын және қуаттандыру бау ашасын суға немесе кез-келген басқа сұйықтықтарға салуға тыйым салынады.
- Қақпақты (1) және келтіруге арналған торларды (2) бейтарап жуғыш зат қосылған жылы сумен жуып жіберіңіз, шайыңыз және құрғатыңыз.
- Қақпақты (1) және торларды (2) жуу үшін төмен температура режимін орнатып ыдыс жуғыш машинада жууға болады.
- Келтірілген өнімдерден қалуы мүмкін үгінділерін алып тастаңыз және келтірілген ішін сәл дымқыл шүберекпен сүртіңіз, содан кейін құрғатып сүртіңіз.
- Келтірілген корпусын (3) сәл дымқыл матамен сүртіңіз, содан кейін құрғатып сүртіңіз.
- Корпустың ішіне (3) ішіне ылғалдың түсуіне жол бермеңіз.
- Қақпақты (1), торларды (2), корпусы (3) тазалау үшін металл жөкелерді, абразивті тазалау заттарын немесе еріткіштерді пайдаланбаңыз.

САҚТАЛУЫ

- Келтірілген сақтауға алып қоярдан бұрын, оны тазалап алыңыз.
- Келтірілген құрғақ салқын, балалардың және мүмкіндіктері шектеулі адамдардың қолы жетпейтін жерде сақтаңыз.

Өнімдерді кептірудің ұсынылатын температурасы

Өнімдер	Температура (°C)
Көк шөп, дәмдеуіш шөптер	35-40
Көкөністер	40-55
Жемістер	55-60
Ет, балық	60-70

Кестеде келтірілген өнімдерді кептіру температурасы туралы деректер ұсынымдық сипатта болады.

Жемістер мен жидектерді кептіру уақытының кестесі

Өнімдер	Дайындау	Кептіруден кейінгі жағдайы	Кептіру ұзақтығы (сағат)
Өрік, шабдалы	Жартыға кесіңіз, сүйектерін алып тастаңыз	Жұмсақ	12-28
Банандар	Аршыңыз, қалыңдығы 3-4 мм болатын тілімдерге кесіңіз	Қытырлақ	7-28
Жүзім, сүйектері жоқ сұрып-тары жақсырақ	Бүтіндей кептіріңіз	Жұмсақ	8-34
Алмұрт	Кесектерге кесіңіз	Жұмсақ	8-28
Мүкжидек	Бүтіндей кептіріңіз	Жұмсақ	6-26

Көкөністер мен шөптерді кептіру уақытының кестесі

Өнімдер	Дайындау	Кептіруден кейінгі жағдайы	Кептіру ұзақтығы (сағат)
Баялдыла	Аршыңыз және кесектерге кесіңіз	Сынғыш	6-18
Саңырауқұлақтар	Ұсақтарын бүтіндей кептіріңіз, үлкендерін кесіңіз	Сынғыш	6-14

Кәділер	Шамамен 10x10 мм текшелерге кесіңіз	Сынғыш	6-18
Гүлді қырыққабат	Жұмсарғанға дейін алдын ала пісіріңіз	Қатты	6-16
Картоп	Алдын ала 5-10 минут қайнатып пісіріңіз, тілімдерге немесе кесектерге кесіңіз.	Қытырлақ	8-30
Пияз	Жінішке дөңгелектерге кесіңіз	Қытырлақ	8-14
Сәбіз	Жұмсарғанға дейін алдын ала қайнатып пісіріңіз, шамамен 8x8 мм дөңгелектерге немесе текшелерге кесіңіз	Сынғыш	8-14
Тәтті бұрыш	Жолақтарға, дөңгелектерге немесе тілімдерге кесіңіз	Сынғыш	4-14
Ақжелкен	Сабақтарымен бірге көптіріңіз, көптіргеннен кейін жапырақтарын сабақтарынан бөліп, сақтауға алып қойыңыз	Сынғыш	2-10
Қызанақтар	Алдын ала тазалаңыз, қалыңдығы шамамен 3-5 мм кесектерге немесе тілімдерге кесіңіз	Қатты	8-24
Балдыркөк (тамырлы)	Қалыңдығы шамамен 6x6 мм текшелерге кесіңіз	Сынғыш	6-14
Сарымсақ	Тілімдерге кесіңіз	Қытырлақ	6-16
Асжапырақ	Алдын ала аздап қайнатып пісіріңіз	Қытырлақ	6-16

Кестелерде келтірілген өнімдерді кептіру уақыты туралы деректер ұсынымдық сипатта болады.

ЖИЫНАҚТАЛЫМЫ

1. Келтіргішті – 1 дана.
2. Нұсқаулық – 1 дана.

ТЕХНИКАЛЫҚ СИПАТТАМАЛАРЫ

- Электрлік қуаттандыруы: 220-240 В, ~ 50-60 Гц
- Номиналдық тұтынатын қуаты: 250 Вт

ПАЙДАҒА АСЫРУ



Қалдықтардың бақыланбай пайдаға асыруынан қоршаған ортаға немесе адамдардың денсаулығына зиян келтірмеу үшін, құралдың немесе қуаттандыру элементтерінің (егер жинақталымға кірсе) қызмет ету мерзімі аяқталғаннан кейін оларды

өдеттегі тұрмыстық қалдықтармен бірге тастамаңыз, аспапты және қуаттандыру элементтерін одан әрі пайдаға асыру үшін арнайы пункттерге жіберіңіз.

Бұйымдарды пайдаға асыру кезінде пайда болатын қалдықтар белгіленген тәртіп бойынша келесі пайдаға асырылатын тәртіппен міндетті түрде жинауға жатады.

Берілген өнімді пайдаға асыру туралы қосымша ақпаратты алу үшін жергілікті муниципалитетке, тұрмыстық қалдықтарды пайдаға асыру қызметіне немесе берілген өнімді сатып алған дүкенге хабарласыңыз.

Өндіруші алдын-ала ескертусіз, құрылғының дизайнын, конструкциясы мен оның жалпы жұмыс ұстанымдарына әсер етпейтін техникалық сипаттамаларын өзгерту құқығын өзіне қалдырады.

Құрылғының қызмет көрсету мерзімі — 3 жыл

Өндірілген күні сериялық нөмірде көрсетілген.

Қандай да бір ақаулықтар табылған жағдайда дереу авторландырылған сервистік орталыққа жүгіну керек.

Hergestellt für «Ruste GmbH»,
Berggasse 18/18, 1090 Wien,
Österreich

Produced for «Ruste GmbH»,
Berggasse 18/18, 1090 Vienna, Austria

Изготовлено по заказу Русте Гмбх,
Бергассе 18/18, 1090 Вена, Австрия

Уполномоченное изготовителем
лицо: ООО «Грантэл»
143912, МО, г. Балашиха,
ш. Энтузиастов, вл. 1А
т.: +7 (495) 297-50-20,
e-mail: info@brayer.su

Made in China/Произведено в Китае



brayer.ru

