

Instruction manual
Инструкция по эксплуатации

Coffee maker BR1122
Кофеварка BR1122



СОДЕРЖАНИЕ

EN.....	3
DE.....	11
RU	20
KZ.....	29

COFFEE MAKER BR1122

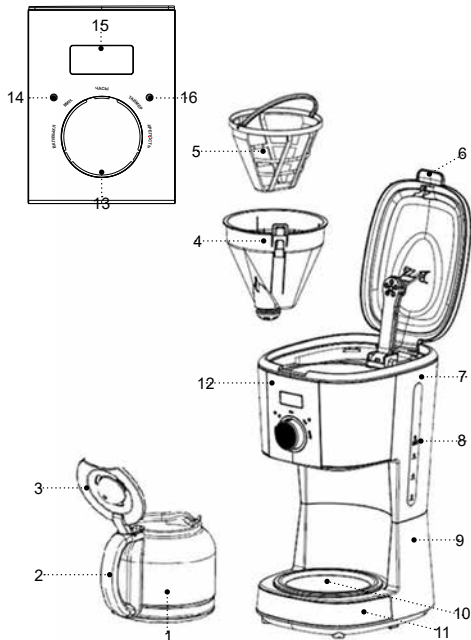
The coffee maker is intended for making “espresso” and “cappuccino” coffee.

DESCRIPTION

1. Ready coffee flask
2. Flask handle
3. Flask lid
4. Filter holder
5. Reusable filter
6. Lid
7. Water tank
8. Water level scale
9. Coffee maker body
10. Flask installation/flask warming tray
11. Support legs
12. Control panel
13. Control Knob
14. Power/Program Mode indicator
15. Display
16. Strong Coffee Mode indicator

ATTENTION!

For additional protection it is reasonable to install a residual current device (RCD) with nominal operation current not exceeding 30 mA, to install RCD, contact a specialist.



SAFETY MEASURES AND COFFEE MAKER OPERATION RECOMMENDATIONS

Read the operation instructions carefully before using the coffee maker and keep it for future reference.

- Use the coffee maker for its intended purpose only, as specified in this manual.
- Mishandling the coffee maker can lead to its breakage and cause harm to the user or damage to his/her property and it is not covered by warranty.
- The coffee maker is intended for making espresso and cappuccino coffee and warming up ready drinks. Do not warm any other liquids.
- Make sure that the operating voltage of the coffee maker indicated on the label corresponds to your home mains voltage.
- The power plug is equipped with a grounding contact, plug it into the socket with
- reliable grounding contact. In case of short circuit the grounding reduces the risk of electric shock.
- Contact an electrical technician, if you are not sure that your sockets are installed properly and grounded.
- To prevent fire do not use adapters designed for connecting the power plug to the mains socket without grounding contact.
- In case of sparking in the mains socket and occurrence of smell of burning, unplug the unit and apply to the organization maintaining your home mains.
- If smoke appears from the unit body, unplug the unit and take measures to prevent fire spreading.
- Use and store the coffee maker at the temperature above 0 °C.
- Do not use the coffee maker outdoors.
- It is not recommended to use the unit during lightning storms.
- Protect the unit from impacts, falling, vibrations and other mechanical stress.
- Never leave the plugged-in coffee maker unattended.
- To avoid fire, electric shock or physical injuries, do not immerse the power plug, the power cord or the coffee maker body into water or any other liquids.
- Do not use the coffee maker in proximity to the kitchen sink, in bathrooms, near swimming pools or other containers filled with water.
- If the unit is dropped into water, unplug it immediately, and only then you can take the unit out of water. If you need to have the unit examined or repaired, contact our service center.
- Do not use the coffee maker near heating appliances, heat sources or open flame.
- Do not use the unit in places where aerosols are used or sprayed, and in proximity to inflammable liquids.

- Place the coffee maker on a flat stable surface; do not place it on the edge of a table. Do not let the power cord hang from the edge of the table and make sure it does not touch hot surfaces or sharp edges of furniture.
- Do not place the coffee maker on hot surfaces.
- Do not touch the power cord and the power plug with wet hands.
- Use only the coffee maker parts and accessories supplied with the unit.
- Before switching the coffee maker on, make sure that all removable parts are installed properly.
- Ensure that the water level in the water tank is not below the minimal mark.
- Do not switch the coffee maker on if the water tank is empty.
- Handle the glass coffee flask with care to avoid damaging it!
- Do not use the flask for other purposes, do not place it on electric and gas cookers and do not use the flask in microwave ovens.
- Use the coffee maker only with the coffee flask installed.
- Do not remove the flask from the warming tray during coffee making.
- Do not leave an empty flask on the warming tray, avoid sharp temperature difference. Otherwise the glass flask may crack.
- Do not put a hot glass flask on a cold surface.
- Do not use the coffee maker if the glass flask is damaged.
- To avoid burns, do not touch hot surfaces of the coffee maker during coffee making and right after switching it off. Let the coffee maker cool down.
- During the coffee making process, water passes through ground coffee under steam pressure, so do not bend over the coffee maker, do not open the water tank lid, do not remove the filter holder and the reusable filter.
- Let the unit cool down completely before cleaning and removing the accessories.
- Unplug the coffee maker before cleaning or when you are not using it. When unplugging the coffee maker hold only the power cord plug and carefully remove it from the mains socket, do not pull the power cord – this can lead to damage of the power cord or the socket or cause short circuit.
- For children safety reasons do not leave polyethylene bags, used as a packaging, unattended.

ATTENTION!

Do not allow children to play with polyethylene bags or packaging film. **Danger of suffocation!**

- The coffee maker is not intended for usage by children.
- Do not leave children unattended to prevent using the unit as a toy.

- Do not allow children to touch the unit and the power cord during the coffee maker operation.
- Place the unit out of reach of children during the operation and cooling down.
- This unit is not intended for usage by physically or mentally disabled persons (including children) or by persons lacking experience or knowledge if they are not under supervision of a person who is responsible for their safety or if they are not instructed by this person on the usage of the unit.
- From time to time check the power cord and the power plug integrity.
- If the power cord is damaged, it should be replaced by the manufacturer, a maintenance service or similar qualified personnel to avoid danger.
- Do not repair the unit by yourself. Do not disassemble the unit by yourself, if any malfunction is detected, and after it was dropped, unplug the unit and apply to the service center.
- Transport the coffee maker in the original package.
- Keep the unit out of reach of children and disabled persons.

COFFEE MAKER IS INTENDED FOR HOUSEHOLD USE ONLY, DO NOT USE THE COFFEE MAKER FOR COMMERCIAL OR LABORATORY PURPOSES.

BEFORE USING THE COFFEE MAKER

After unit transportation or storage at low temperature, it is necessary to keep it for at least three hours at room temperature.

- Unpack the coffee maker and remove all the packaging materials.
- Keep the original package.
- Read the safety measures and operating recommendations.
- Check the delivery set.
- Examine the coffee maker for damages, in case of damage do not plug it into the mains.
- Make sure that the specifications of power supply voltage specified on the lower panel of the unit correspond to the specifications of your mains. When the unit is used in the mains with 60 Hz frequency, it does not need any additional settings.
- Wipe the surface of the coffee maker body with a clean, slightly damp cloth to remove dust.
- Remove the Cover (6).
- Remove the Reusable Filter (5), push the lock and remove the Filter Holder (4).
- Wash all removable parts in warm water with a neutral detergent: the coffee flask (1), the filter holder (4), the filter (5), rinse them and dry.
- Install the Filter Holder (4) into its appropriate spot.
- Insert the filter (5) into the holder (4).
- Fill about one half of the coffee flask (1) with pure water.

- Open the lid (6) and pour the water from the flask (1) to the water tank (7).
- Close the lid (6) and put the flask (1) on the tray (10).
- Insert the plug into the mains socket, the flickering digital symbols «12:00» will appear on the Display (15).

SETTING CURRENT TIME

- Set the Knob (13) to "ЧАСЫ" - each pressing of the Knob (13) will increase the current time by one hour; quick "hours" setup: press and hold the Knob (13) for more than 2 seconds.
- Set the Knob (13) to "МИН" - each pressing of the Knob (13) will increase the current time by one minute; quick "minutes" setup: press and hold the Knob (13) for more than 2 seconds.
- To confirm the current time setting, press the Knob (13) once.
- Switch on the Coffee Maker by setting the Knob (13) to "ВКЛ/ВЫКЛ", press the Knob (13) - the Light Indicator (14) will turn red and the Coffee Maker will switch on.
- After the water tank (7) depletes, switch the Coffee Maker off by pressing the Knob (13) again, the Light Indicator (14) will extinguish.

Note:

- If necessary, you can switch the Coffee Maker off at any time by pressing the Knob (13).

- Let the unit cool down for 5 minutes and pour the water out from the flask (1).
- If necessary, repeat the washing cycle of the coffee maker 2-3 times.

MAKING COFFEE

- Ready coffee is made by single passing of hot water through the layer of ground coffee in the filter (5). The taste of the drink depends on the quality of raw products, therefore we recommend using well-roasted and fresh-ground coffee beans.
- Remove the Cover (6).
- Measure the required amount of ground coffee and put it into the filter (5). 6 grams of ground coffee per one coffee cup is required on average; adjust the quantity according to your taste.
- Fill the tank (7) with cold water up to the required level. Determine the water level using the scale (8).
- Close the lid (6).
- Put the flask (1) on the tray (10).
- Insert the plug into the mains socket, the digital symbols «12:00» will appear on the display (15).

Note: - if you need to set the current time, refer to the Setting Current Time section.

- Switch on the Coffee Maker by setting the Knob (13) to "ВКЛ/ВЫКЛ", press the Knob (13) - the Light Indicator (14) will turn red and the Coffee Maker will switch on.

- After the Flask (1) is filled with prepared coffee, switch the Coffee Maker off by pressing the Knob (13) again, the Light Indicator (14) will extinguish.
- To keep the coffee hot, leave the flask (1) on the tray (10) and do not switch the coffee maker off.

Notes: - the keep warm time for ready coffee is limited to 40 minutes, after that the coffee maker will switch off.

ATTENTION!

- When you don't need to keep the flask (1) warm, always switch the coffee maker off by pressing the Knob (13).
- Water passes through ground coffee under steam pressure, so do not bend over the coffee maker, do not open the lid (6) and do not remove the filter holder (4) and the filter (5) during making coffee.
- Do not leave the empty coffee flask (1) on the flask warming tray (10), otherwise the glass may crack.

PREPARING STRONG COFFEE

- To prepare strong coffee, set the Knob (13) to "КРЕПКИЙ", the Indicator (16) will turn on, then set the Knob (13) to "ВКЛ/ВЫКЛ", and press the Knob (13) once - the Light Indicator (14) will turn red and the Coffee Maker will switch on in the Strong Coffee Mode.

Note: - to exit the Strong Coffee Mode, set the Knob (13) to "КРЕПКИЙ" and press the Knob (13) once - the Indicator (16) will extinguish.

COFFEE MAKER SWITCH-ON TIME SETTING FUNCTION

- Open the lid (6).
- Measure the required amount of ground coffee and put it into the filter (5). 6 grams of ground coffee per one coffee cup is required on average; adjust the quantity according to your taste.
- Fill the tank (7) with cold water up to the required level. Determine the water level using the scale (8).
- Close the lid (6).
- Put the flask (1) on the tray (10).
- Insert the plug into the mains socket, the digital flashing symbols «12:00» will appear on the display (15).
- Set the current time if no current time is set. (see the section «Setting current time»). Time format is 24 hours.

Example: - suppose the current time is 09:00 AM and you wish to prepare coffee at 01:00 PM.

- Set the Knob (13) to "ТАЙМЕР", press the Knob (13) once, the Light Indicator (14) will flicker green and the Display (15) will show flickering symbols
- Set the Knob (13) to "ЧАСЫ" and set the "hours" value to "13" by pressing the Knob (13).
- Set the Knob (13) to "МИН" and set the "minutes" value to "00" by pressing the Knob (13).
- Set the Knob (13) to "ТАЙМЕР", press the Knob (13) once, the Light Indicator (14) will flicker green, the

symbols "13:00" will appear on the Display (15), and after a while the Display (15) will show the current time.

Notes:

- while in the delayed start mode the time configuration functionality is not available.
- to exit the Program Mode set the Knob (13) to "ТАЙМЕР", and press the Knob (13) once
- to change the switch on time repeat the coffee maker switch on time setting steps described above.
- The coffee maker will switch on at the preset time and the indicator (18) will light up.
- If you don't switch the coffee maker after making coffee by pressing the on/off button (19) «ВКЛ/ВЫКЛ», it will switch off in 40 minutes.

DESCALING

- Clean the coffee maker from scale regularly.
- You can use «homemade descaling agent» - citric acid solution in proportion 100 portions of water per 3 portions of citric acid.
- Open the lid (6), fill the water tank (7) with the descaling agent up to the maximal mark on the water level scale (8).
- Make sure that the filter holder (4) and the filter (5) are installed to their places and there is no ground coffee in the filter (5).

- Put the flask (1) on the tray (10).
- Switch on the Coffee Maker by setting the Knob (13) to "ВКЛ/ВЫК", press the Knob (13) - the Light Indicator (14) will turn red.
- Switch the Coffee Maker off by pressing the Knob (13) again.
- Wait 15-20 minutes and switch the coffee maker on. Wait until there is no descaling agent in the water tank (7).
- Switch the coffee maker off and pour the liquid out of the flask (1).
- After descaling, wash the coffee maker thoroughly. To do this, pour pure water into the tank (7) and switch the unit on without adding ground coffee in the filter (5).
- Repeat the washing cycle several times.

Note: - to remove the scale you can use special descaling agents for coffee makers and coffee machines, strictly following the instructions on their usage.

CLEANING AND CARE

- Always switch the coffee maker off and unplug it before cleaning.
- Let the coffee maker cool down completely and clean the outer surfaces of the unit body (9) with a soft, slightly damp cloth, then wipe dry.
- Use soft detergents to remove dirt; do not use metal brushes, abrasive detergents and solvents.

- Wash the removable parts (1, 4, 5) with warm water with neutral detergent, rinse, and dry them, install the Filter Holder (4) into the appropriate spot, insert the Filter (5) into the Holder (4), close the Cover (6).
- Do not immerse the coffee maker, the power cord and the power plug into water or any other liquids.

STORAGE

- Before taking the coffee maker away for long storage, unplug it and let it cool down completely.
- Clean the coffee maker.
- Keep the coffee maker in a dry cool place out of reach of children and disabled persons.

DELIVERY SET

Coffee maker – 1 pc.

Instruction manual – 1 pc.

TECHNICAL SPECIFICATIONS

- Power supply: 220-240 V, ~ 50-60 Hz
- Rated input power: 900 W
- Water tank capacity: 1,5 l

RECYCLING

For environment protection apply to the specialized centers for further recycling after the service life expiration of the unit.



The waste generated during the disposal of the unit is subject to mandatory collection and consequent disposal in the prescribed manner.

For further information about recycling of this product apply to a local municipal administration, a disposal service or to the shop where you purchased this product.

The manufacturer reserves the right to change the design, structure and specifications not affecting general principles of the unit operation, without prior notice.

The unit operating life is 3 years.

The manufacturing date is specified in the serial number.

In case of any malfunctions promptly apply to the authorized service center.

ESPRESSOKAFFEEMASCHINE BR1122

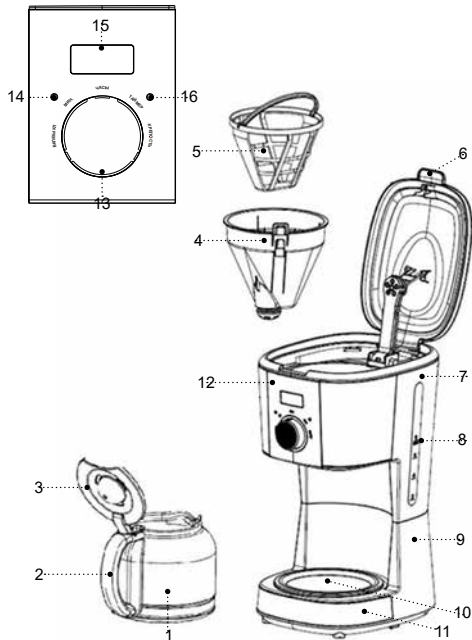
Die Kaffeemaschine ist zur Kaffeezubereitung bestimmt.

BESCHREIBUNG

1. Kolben für gekochten Kaffee
2. Kolbengriff
3. Kolbendeckel
4. Filterhalter
5. Wiederverwendbares Filter
6. Deckel des Wasserbehälters
7. Wasserbehälter
8. Wasserstandsskala
9. Kaffeemaschinengehäuse
10. Kolbenaufstell-/heizplatte
11. Stützfüße
12. Bedienungsplatte
13. Bediengriff
14. Netz-/Programmierbetriebsanzeige
15. Bildschirm
16. Espressoetriebsanzeige

ACHTUNG!

Als zusätzlicher Schutz ist es zweckmäßig, den FI-Schalter mit Nennstrom maximal bis 30 mA im Stromversorgungskreis aufzustellen; wenden Sie sich dafür an einen Spezialisten.



SICHERHEITSHINWEISE UNDBEDIENUNGSANLEITUNG FÜR DIE KAFFEEMASCHINE

Bevor Sie die Kaffeemaschine benutzen, lesen Sie die Bedienungsanleitung aufmerksam durch und bewahren Sie sie zum späteren Gebrauch auf.

- Benutzen Sie die Kaffeemaschine nur bestimmungsmäßig und laut dieser Bedienungsanleitung.
- Der Missbrauch der Kaffeemaschine kann zu ihrer Störung führen, den Benutzer oder sein Eigentum beschädigen und ist kein Garantiefall.
- Die Kaffeemaschine ist zum Zubereiten von Espresso und Cappuccino, zum Aufheizen von Fertiggetränken und zu keinem Erhitzen anderer Flüssigkeiten bestimmt.
- Vergewissern Sie sich, dass die auf dem Bezeichnungszettel angegebene Betriebsspannung der Kaffeemaschine und die Netzspannung übereinstimmen.
- Der Netzstecker hat einen Erdungskontakt; stecken Sie ihn nur in eine Steckdose
- mit dem zuverlässigen Erdungskontakt. Bei einem Kurzschluss verringert die Erdung das Stromschlagrisiko.
- Wenden Sie sich an einen Elektriker, wenn Sie sich nicht sicher sind, ob Ihre Steckdosen richtig installiert und geerdet sind.
- Verwenden Sie keine Adapterstecker, die zum Anschließen des Netzsteckers an eine Steckdose ohne Erdungskontakt bestimmt sind, um das Brandrisiko zu vermeiden.
- Bei Brandgeruch und Funken in der Steckdose ziehen Sie den Netzstecker aus der Steckdose heraus und wenden Sie sich an den Ihr Hausstromnetz leistenden Dienst.
- Wenn Rauch aus dem Gerätegehäuse austritt, ziehen Sie das Netzkabel aus der Steckdose heraus und treffen Sie die Feuerverhinderungsmaßnahmen.
- Benutzen und lagern Sie die Kaffeemaschine bei einer Temperatur über 0°C.
- Es ist nicht gestattet, die Kaffeemaschine draußen zu benutzen.
- Es ist nicht empfohlen, das Gerät bei Gewitter zu benutzen.
- Schützen Sie das Gerät vor Stößen, Stürzen, Vibrationen und anderen mechanischen Einwirkungen.
- Lassen Sie die ans Stromnetz angeschlossene Kaffeemaschine nie unbeaufsichtigt.
- Um Brand, Stromschlag oder Verletzungen zu vermeiden, tauchen Sie den Netzstecker, das Netzkabel oder das Gehäuse der Kaffeemaschine ins Wasser oder jegliche andere Flüssigkeiten nicht ein.
- Benutzen Sie die Kaffeemaschine in der Nähe von Spülbecken, in Badezimmern und neben den Wasserbecken oder anderen mit Wasser gefüllten Behältern nicht.
- Falls das Gerät ins Wasser gefallen ist, ziehen Sie den Netzstecker aus der Steckdose sofort heraus, erst danach holen Sie das Gerät aus dem Wasser

- heraus. Wenden Sie sich an einen autorisierten Kundendienst, um das Gerät prüfen oder reparieren zu lassen.
- Benutzen Sie die Kaffeemaschine in direkter Nähe von Heizgeräten, Wärmequellen oder offenem Feuer nicht.
 - Es ist verboten, das Gerät an den Orten, wo Sprays verwendet werden, sowie in der Nähe von leichtentzündbaren Flüssigkeiten, zu benutzen.
 - Stellen Sie die Kaffeemaschine auf eine ebene standfeste Oberfläche auf, stellen Sie sie an den Tischrand nicht auf. Achten Sie darauf, dass das Netzkabel vom Tisch nicht herabhängt und heiße Oberflächen und scharfe Möbelkanten nicht berührt.
 - Es ist nicht gestattet, die Kaffeemaschine auf heiße Oberflächen zu stellen.
 - Berühren Sie das Netzkabel und den Netzstecker mit nassen Händen nicht.
 - Benutzen Sie nur die mitgelieferten Kaffeemaschinenteile und -zubehör.
 - Vergewissern Sie sich vor der Einschaltung der Kaffeemaschine, dass alle abnehmbaren Teile korrekt aufgestellt sind.
 - Achten Sie darauf, dass der Wasserstand im Behälter nicht unter der Minimalmarke liegt.
 - Schalten Sie die Kaffeemaschine ohne Wasser nicht ein.
 - Behandeln Sie den Glaskolben vorsichtig, um ihn nicht zu beschädigen!
- Benutzen Sie den Kolben zu keinen anderen Zwecken, stellen Sie diesen auf Elektro- und Gasherde nicht auf, benutzen Sie den Kolben in den Mikrowellenöfen nicht.
 - Benutzen Sie die Kaffeemaschine nur mit dem aufgestellten Kaffeekolben.
 - Nehmen Sie den Kolben von der Heizplatte während der Kaffeezubereitung nicht ab.
 - Lassen Sie keinen leeren Kolben auf der Heizplatte, lassen Sie keine starken Temperaturschwankungen zu, da sonst das Kolbenglas bersten kann.
 - Stellen Sie keinen heißen Glaskolben auf eine kalte Oberfläche.
 - Benutzen Sie die Kaffeemaschine nicht, wenn der Glaskolben beschädigt ist.
 - Um Verbrennung zu vermeiden, berühren Sie heiße Oberflächen der Kaffeemaschine während der Kaffeezubereitung und gleich nach ihrer Ausschaltung nicht. Lassen Sie die Kaffeemaschine abkühlen.
 - Während der Kaffeezubereitung fließt das Wasser durch den gemahlene Kaffee unter Dampfdruck durch, deshalb ist es verboten, sich über der Kaffeemaschine zu beugen, den Behältersdeckel aufzumachen und das wiederverwendbare Filter herauszunehmen.
 - Lassen Sie das Gerät vollständig abkühlen, bevor Sie das Zubehör entfernen und reinigen.
 - Trennen Sie die Kaffeemaschine vor der Reinigung oder wenn Sie sie nicht benutzen vom Stromnetz

- ab. Wenn Sie die Kaffeemaschine vom Stromnetz abtrennen, halten Sie nur den Netzstecker fest und ziehen Sie ihn aus der Steckdose vorsichtig heraus; ziehen Sie das Netzkabel nicht, da es zu seiner Beschädigung und Steckdosenstörung sowie einem Kurzschluss führen kann.
- Aus Kindersicherheitsgründen lassen Sie Plastiktüten, die als Verpackung verwendet werden, nie ohne Aufsicht.

ACHTUNG!

Lassen Sie Kinder mit Plastiktüten oder Verpackungsfolien nicht spielen. **Erstickungsgefahr!**

- Die Kaffeemaschine ist nicht für Kinder bestimmt.
- Beaufsichtigen Sie Kinder, damit sie das Gerät als Spielzeug nicht benutzen.
- Lassen Sie Kinder das Gerät und das Netzkabel während des Kaffeemaschinenbetriebs nicht berühren.
- Während des Betriebs und des Abkühlens stellen Sie das Gerät an einen für Kinder unzugänglichen Ort auf.
- Dieses Gerät ist für Personen (darunter Kinder) mit Körper-, Nerven- und Geistesstörungen oder Personen ohne ausreichende Erfahrung und Kenntnisse nicht geeignet, wenn sie sich unter Aufsicht der Person, die für ihre Sicherheit verantwortlich ist, nicht befinden oder entsprechende Anweisungen über die Nutzung des Geräts nicht bekommen haben.

- Überprüfen Sie regelmäßig den Zustand des Netzkabels und des Netzsteckers.
- Wenn das Netzkabel beschädigt ist, soll es vom Hersteller, vom Kundendienst oder von ähnlich qualifiziertem Personal ersetzt werden, um Gefahren zu vermeiden.
- Es ist nicht gestattet, das Gerät selbständig zu reparieren. Es ist nicht gestattet, das Gerät selbständig auseinanderzunehmen; bei der Feststellung jeglicher Beschädigungen, sowie im Sturzfall, trennen Sie das Gerät vom Stromnetz ab und wenden Sie sich an einen Kundendienst.
- Transportieren Sie die Kaffeemaschine nur in der Fabrikverpackung.
- Bewahren Sie das Gerät an einem für Kinder und behinderte Personen unzugänglichen Ort auf.

DIE KAFFEEMASCHINE IST NUR FÜR DEN GEBRAUCH IM HAUSHALT GEEIGNET, ES IST VERBOTEN, SIE ZU INDUSTRIE- ODER LABORZWECKEN ZU BENUTZEN.

VORBEREITUNG DER KAFFEEMASCHINE ZUR INBETRIEBNAHME

Nachdem Sie das Gerät bei niedriger Temperatur transportiert oder gelagert haben, müssen Sie es mindestens drei Stunden bei Raumtemperatur aufbewahren.

- Packen Sie die Kaffeemaschine aus und entfernen Sie alle Verpackungsmaterialien.
- Bewahren Sie die Originalverpackung auf.
- Lesen Sie die Sicherheitsmaßnahmen und Bedienungsempfehlungen.
- Prüfen Sie die Komplettheit.
- Prüfen Sie die Kaffeemaschine auf Beschädigungen; wenn sie beschädigt ist, schließen Sie sie ans Stromnetz nicht an.
- Vergewissern Sie sich, dass die Stromversorgungsparameter auf der Geräteunterplatte und die Netzstromparameter übereinstimmen. Beim 60-Hz-Stromnetz-Gerätebetrieb sind keine zusätzlichen Maßnahmen erforderlich.
- Wischen Sie das Kaffeemaschinengehäuse (9) mit einem sauberen, leicht angefeuchteten Tuch zur Staubentfernung ab.
- Machen Sie den Deckel (6) auf.
- Entfernen Sie das wiederverwendbare Filter (5), drücken Sie die Verriegelung und nehmen Sie den Filterhalter (4) heraus.
- Waschen Sie alle abnehmbaren Teile mit Warmwasser und einem neutralen Waschmittel: den Kaffeekolben (1), den Filterhalter (4), das Filter (5), spülen und trocknen Sie sie ab.
- Stellen Sie den Filterhalter (4) zurück auf.
- Setzen Sie das Filter (5) in den Halter (4) ein.
- Füllen Sie den Kaffeekolben (1) mit sauberem Wasser ca. zur Hälfte an.

- Machen Sie den Deckel (6) auf und gießen Sie Wasser aus dem Kolben (1) in den Behälter (7) um.
- Machen Sie den Deckel (6) zu und stellen Sie den Kolben (1) auf die Platte (10) auf.
- Stecken Sie den Netzstecker in eine Steckdose ein, die blinkenden Zahlensymbole «12:00» werden auf dem Bildschirm (15) angezeigt.

EINSTELLUNG DER AKTUELLEN ZEIT

- Drehen Sie den Griff (13) in die „ЧАСЫ“-Position; bei jedem Drücken des Griffs (13) wird die aktuelle Zeit um eine Stunde erhöht, um die „ЧАСЫ“-Zeit schnell einzustellen, halten Sie den Griff (13) länger als 2 Sekunden gedrückt.
- Drehen Sie den Griff (13) in die „МИН“-Position „МИН“; bei jedem Drücken des Griffs (13) wird die aktuelle Zeit um eine Minute erhöht, um die „Minuten“-Zeit schnell einzustellen, halten Sie den Griff (13) länger als 2 Sekunden gedrückt.
- Um die aktuelle Zeit zu bestätigen, drücken Sie einmal den Griff (13).
- Schalten Sie die Kaffeemaschine ein, drehen Sie dazu den Griff (13) in die „ВКЛ/ВЫКЛ“-Position, drücken Sie den Griff (13), dabei leuchtet die Anzeige (14) rot, und die Kaffeemaschine schaltet sich ein.
- Wenn es kein Wasser im Behälter (7) gibt, schalten Sie die Kaffeemaschine durch erneutes Drücken des Griffs (13) aus, dabei erlischt die Anzeige (14).

Anmerkung:

- Bei Bedarf können Sie die Kaffeemaschine jederzeit durchs Drücken des Griffs (13) ausschalten.
- Lassen Sie das Gerät 5 Minuten lang abkühlen und gießen Sie Wasser aus dem Kolben (1) aus.
- Bei Bedarf wiederholen Sie den Spülzyklus der Kaffeemaschine 2-3 Mal.

KAFFEEZUBEREITUNG

- Kaffee wird durch einmaliges Durchgehen des Heißwassers durch die Schicht gemahlener Kaffees im Filter (5) zubereitet. Der Geschmack des fertigen Getränks hängt von der Qualität des Ausgangsprodukts ab, deshalb ist es empfohlen, gut durchgebratene und frischgemahlene Kaffeebohnen zu benutzen.
- Machen Sie den Deckel (6) auf.
- Messen Sie die notwendige Menge gemahlener Kaffees ab und schütten Sie ihn ins Filter (5) ein. Im Durchschnitt ist für eine Kaffeetasse 6 Gramm gemahlener Kaffee erforderlich, genaue Menge wählen Sie nach Ihrem Geschmack.
- Füllen Sie den Behälter (7) mit Kaltwasser bis zum erforderlichen Stand an. Stellen Sie den Wasserstand mit der Skala (8) fest.
- Machen Sie den Deckel (6) zu.
- Stellen Sie den Kolben (1) auf die Platte (10) auf.
- Stecken Sie den Netzstecker in die Steckdose ein,

die Zahlensymbole «12:00» werden auf dem Bildschirm (15) angezeigt.

Anmerkung: - wenn die aktuelle Zeit eingestellt werden muss, lesen Sie den Abschnitt „Einstellen der aktuellen Zeit“

- Schalten Sie die Kaffeemaschine ein, drehen Sie dazu den Griff (13) in die „ВКЛ/ВЫКЛ“-Position, drücken Sie den Griff (13), dabei leuchtet die Anzeige (14) rot, und die Kaffeemaschine schaltet sich ein.
- Nachdem der Kolben (1) mit Fertiggkaffee gefüllt ist, schalten Sie die Kaffeemaschine durch erneutes Drücken des Griffs (13) aus, dabei erlischt die Anzeige (14).
- Damit der Kaffee heiß bleibt, lassen Sie den Kolben (1) auf der Platte (10) stehen und schalten Sie die Kaffeemaschine nicht aus.
- **Anmerkungen:** - die Kaffeezubereitungszeit ist auf 40 Minuten begrenzt, danach schaltet sich die Kaffeemaschine aus.

ACHTUNG!

- Wenn der Kolben (1) nicht aufgeheizt werden muss, schalten Sie die Kaffeemaschine mit der drücken Sie den Griff (13).
- Das Wasser fließt durch den gemahlener Kaffee unter Dampfdruck durch, deshalb ist es verboten, sich während der Zubereitung über der Kaffeemaschine zu beugen, den Deckel (6) aufzumachen

und den Filterhalter (4) und das Filter (5) herauszuziehen.

- Es ist verboten, einen leeren Kaffee Kolben (1) auf der Kolbenheizplatte (10) zu lassen, da sonst das Kolbenglas bersten kann.

ESPRESSOZUBEREITUNG

- Um Espresso zuzubereiten, drehen Sie den Griff (13) in die „КРЕПКИЙ“-Position, dabei leuchtet die Anzeige (16), drehen Sie dann den Griff (13) in die „ВКЛ/ВЫКЛ“-Position und drücken Sie den Griff (13) einmal, dabei leuchtet die Anzeige (14) rot, und die Kaffeemaschine schaltet sich im Espressobetrieb ein.

Anmerkung: - um den Espressobetrieb abzubrechen, drehen Sie den Griff (13) in die „КРЕПКИЙ“-Position und drücken Sie den Griff (13) einmal, die Anzeige (16) erlischt.

KAFFEEMASCHINENEINHALTZEITPROGRAMMIERFUNKTION

- Machen Sie den Deckel (6) auf.
- Messen Sie die notwendige Menge gemahlener Kaffees ab und schütten Sie ihn ins Filter (5) ein. Im Durchschnitt ist für eine Kaffeetasse 6 Gramm gemahlener Kaffee erforderlich, genaue Menge wählen Sie nach Ihrem Geschmack.
- Füllen Sie den Behälter (7) mit Kaltwasser bis zum

erforderlichen Stand an. Stellen Sie den Wasserstand mit der Skala (8) fest.

- Machen Sie den Deckel (6) zu.
- Stellen Sie den Kolben (1) auf die Platte (10) auf.
- Stecken Sie den Netzstecker in die Steckdose ein, die Zahlensymbole «12:00» werden auf dem Bildschirm (15) angezeigt.
- Wenn die aktuelle Zeit nicht eingestellt ist, stellen Sie die aktuelle Zeit ein. Das Zeitformat ist 24 Stunden.

BEISPIEL - nehmen wir die aktuelle Zeit von 9:00 Uhr an, und Sie möchten um 13:00 Uhr Kaffee zubereiten.

- Drehen Sie den Griff (13) in die „ТАЙМЕР“-Position, drücken Sie den Griff (13) einmal, die Anzeige (14) blinkt grün, der Bildschirm (15) zeigt die blinkenden Symbole an.
- Drehen Sie den Griff (13) in die „ЧАСЫ“-Position; drücken Sie den Griff (13), um die „Stunden“-Zeit auf „13“ einzustellen.
- Drehen Sie den Griff (13) in die „МИН“-Position; drücken Sie den Griff (13), um die „Minuten“-Zeit auf „00“ einzustellen.
- Drehen Sie den Griff (13) in die „ТАЙМЕР“-Position, drücken Sie den Griff (13) einmal, die Anzeige (14) blinkt grün, der Bildschirm (15) zeigt die Symbole „13:00“ an, nach einer Weile zeigt der Bildschirm (15) die aktuelle Zeit an.

Anmerkung:

- im Startrückstellungsbetrieb sind die Zeiteinstellungsfunktionen „Stunden und Minuten“ inaktiv.
- um die Programmierfunktion abzubrechen, drehen Sie den Griff (13) in die „TAMEP“-Position und drücken Sie den Griff (13) einmal.
- um die Einschaltzeit zu ändern, wiederholen Sie die oben beschriebenen Schritte zum Einstellen der Kaffeemaschineneinschaltzeit.
- Zur eingestellten Zeit schaltet sich die Kaffeemaschine ein, und die Anzeige (14) leuchtet.
- Wenn Sie die Kaffeemaschine nach der Kaffeezubereitung nicht ausschalten, wird sie nach 40 Minuten ausgeschaltet.

KALKENTFERNUNG

- Reinigen Sie die Kaffeemaschine vom Kalk regelmäßig.
- Sie können ein „hausgemachtes Entkalkungsmittel“ verwenden - eine Lösung von Zitronensäure in einem Verhältnis von einhundert Teilen Wasser zu drei Teilen Zitronensäure.
- Machen Sie den Deckel (6) auf, füllen Sie den Behälter (7) mit Entkalkungsmittel bis zum Maximalstand an der Wasserstandsskala (8).
- Vergewissern Sie sich, dass der Filterhalter (4) und das Filter (5) zurück aufgestellt sind und sich kein

gemahlener Kaffee im Filter (5) befindet.

- Stellen Sie den Kolben (1) auf die Platte (10) auf.
- Schalten Sie die Kaffeemaschine ein, drehen Sie dazu den Griff (13) in die „ON/OFF“-Position, drücken Sie den Griff (13), dabei leuchtet die Anzeige (14) rot.
- Schalten Sie die Kaffeemaschine aus, indem Sie den Griff (13) erneut drücken.
- Warten Sie 15-20 Minuten ab und schalten Sie die Kaffeemaschine ein. Warten Sie ab, bis das Reinigungsmittel im Behälter (7) aufgebraucht ist.
- Schalten Sie die Kaffeemaschine aus und gießen Sie die Flüssigkeit aus dem Kolben (1) ab.
- Spülen Sie die Kaffeemaschine nach dem Entkalken gründlich durch. Gießen Sie dafür sauberes Wasser in den Behälter (7) ein und schalten Sie das Gerät ein, ohne Kaffee ins Filter (5) einzuschütten.
- Wiederholen Sie den Spülgang der Kaffeemaschine mehrmals.

Anmerkung: - Zur Entkalkung können Sie unter Beachtung der Bedienungsanleitungen spezielle Entkalkungsmittel für Kaffeekocher und -maschinen verwenden.

REINIGUNG UND PFLEGE

- Vor dem Reinigen schalten Sie die Kaffeemaschine immer aus und ziehen Sie den Netzstecker aus der Steckdose heraus.
- Lassen Sie die Kaffeemaschine vollständig abkühlen und wischen Sie die Außenoberflächen des Gehäu-

ses (9) mit einem weichen, leicht angefeuchteten Tuch, danach trocknen Sie sie ab.

- Für Entfernung von Verschmutzungen benutzen Sie weiche Reinigungsmittel, aber keine Metallbürsten, Abrasiv- und Lösungsmittel.
- Waschen Sie die abnehmbaren Teile (1, 4, 5) mit Warmwasser und einem neutralen Reinigungsmittel, spülen und trocknen Sie sie ab, setzen Sie den Filterhalter (4) zurück auf, setzen Sie das Filter (5) in den Halter (4) ein und machen Sie den Deckel (6) zu.
- Es ist nicht gestattet, die Kaffeemaschine, das Netzkabel und den Netzstecker ins Wasser oder jegliche andere Flüssigkeiten einzutauchen.

AUFBEWAHRUNG

- Bevor Sie die Kaffeemaschine zur langen Aufbewahrung wegnehmen, trennen Sie sie vom Stromnetz ab und lassen Sie sie abkühlen.
- Reinigen Sie die Kaffeemaschine.
- Bewahren Sie die Kaffeemaschine an einem trockenen, kühlen und für Kinder und behinderte Personen unzugänglichen Ort auf.

TECHNISCHE EIGENSCHAFTEN

- Stromversorgung: 220-240 V, ~ 50-60 Hz
- Nennleistungsaufnahme: 900 W
- Fassungsvermögen des Wasserbehälters: 1,5 l

LIEFERUMFANG

Kaffeemaschine – 1 St.

Bedienungsanleitung – 1 St.

ENTSORGUNG



Zwecks Umweltschutzes geben Sie das Gerät nach Beendigung dessen Nutzungsdauer in einen Spezialpunkt für weitere Entsorgung über.

Die bei der Entsorgung der Erzeugnisse entstehenden Abfälle sind unbedingt zu sammeln und weiter ordnungsmäßig zu entsorgen.

Mehrere Information zur Entsorgung dieses Produkts erhalten Sie bei Ihrer lokalen Stadtverwaltung, einem Abfallentsorgungsdienst oder beim Geschäft, wo Sie dieses Produkt gekauft haben.

Der Hersteller behält sich das Recht vor, das Design, die Konstruktion und die das gemeine Gerätebetriebsprinzip nicht beeinflussenden technischen Eigenschaften ohne Vorbenachrichtigung zu verändern.

Die Gerätenutzungsdauer beträgt 3 Jahre

Das Herstellungsdatum ist in der Fabrikationsnummer angegeben.

Bei Störungsfeststellung wenden Sie sich baldigst an einen autorisierten Kundendienst.

КОФЕВАРКА BR1122

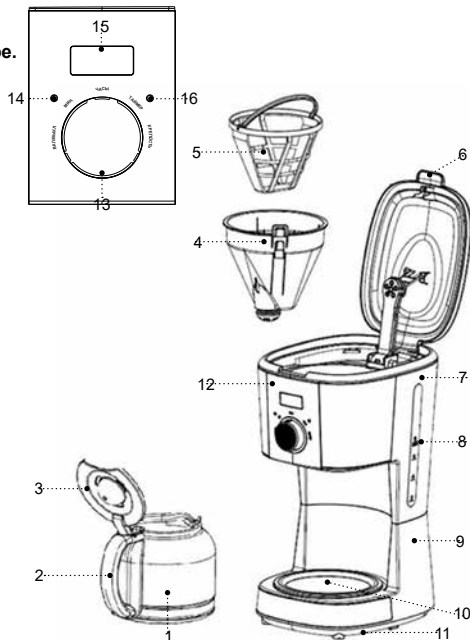
Кофеварка предназначена для приготовления кофе.

ОПИСАНИЕ

1. Колба для готового кофе
2. Ручка колбы
3. Крышка колбы
4. Держатель фильтра
5. Многоразовый фильтр
6. Крышка
7. Резервуар для воды
8. Шкала уровня воды
9. Корпус кофеварки
10. Площадка для установки колбы/подогрева колбы
11. Опорные ножки
12. Панель управления
13. Ручка управления
14. Индикатор включения в сеть/режима программирования
15. Дисплей
16. Индикатор режима приготовления «крепкого кофе»

ВНИМАНИЕ!

Для дополнительной защиты в цепи питания целесообразно установить устройство защитного отключения (УЗО) с номинальным током срабатывания, не превышающим 30 мА, для установки УЗО обратитесь к специалисту.



МЕРЫ БЕЗОПАСНОСТИ И РЕКОМЕНДАЦИИ ПО ЭКСПЛУАТАЦИИ КОФЕВАРКИ

Перед использованием кофеварки внимательно ознакомьтесь с руководством по эксплуатации, и сохраните его для использования в будущем.

- Используйте кофеварку только по её прямому назначению, как изложено в данной инструкции.
- Неправильное обращение с кофеваркой может привести к её поломке, причинению вреда пользователю или его имуществу и не является гарантийным случаем.
- Кофеварка предназначена для приготовления кофе.
- Убедитесь, что рабочее напряжение кофеварки, указанное на этикетке, соответствует напряжению электросети.
- Вилка шнура питания имеет контакт заземления, вставляйте её в электрическую розетку, имеющую надёжный контакт заземления. При коротком замыкании, заземление снижает риск поражения электрическим током.
- Обратитесь к специалисту-электрику, если вы не уверены в том, что ваши розетки правильно установлены и заземлены.
- Во избежание возникновения пожара запрещается использовать «переходники», предназначенные для подключения вилки шнура питания к электрической розетке, не имеющей контакта

заземления.

- При искрении в электрической розетке и присутствии запаха гари, выньте вилку шнура питания из розетки и обратитесь в организацию, обслуживающую вашу домашнюю электрическую сеть.
- При появлении дыма из корпуса устройства выньте вилку шнура питания из электрической розетки и примите меры к нераспространению огня.
- Запрещается использовать кофеварку вне помещений.
- Не рекомендуется использовать устройство во время грозы.
- Оберегайте устройство от ударов, падений, вибраций и иных механических воздействий.
- Не оставляйте кофеварку, включённый в сеть, без присмотра.
- Во избежание пожара, удара электрическим током или физических повреждений не погружайте вилку шнура питания, шнур питания или корпус кофеварки в воду или любые другие жидкости.
- Не используйте кофеварку вблизи от кухонной раковины, в ваннных комнатах, около бассейнов или других ёмкостей, наполненных водой.
- Если устройство упало в воду, немедленно выньте вилку шнура питания из розетки и только после этого достаньте устройство из воды. Обратитесь в сервисный центр для осмотра или ремонта устройства.
- Не используйте кофеварку в непосредственной

- близости от нагревательных приборов, источников тепла или открытого пламени.
- Запрещается использовать устройство в местах, где используются или распыляются аэрозоли, а также вблизи от легковоспламеняющихся жидкостей.
 - Устанавливайте кофеварку на ровную и устойчивую поверхность, не ставьте её на край стола. Не допускайте, чтобы шнур питания свешивался со стола, а также следите, чтобы он не касался горячих поверхностей и острых кромок мебели.
 - Не ставьте кофеварку на горячие поверхности.
 - Запрещается прикасаться к шнуру питания и вилке шнура питания, мокрыми руками.
 - Используйте только детали кофеварки и принадлежности, входящие в комплект поставки.
 - Перед включением кофеварки убедитесь, что все съемные детали установлены правильно.
 - Следите, чтобы уровень воды в резервуаре был не ниже минимальной отметки.
 - Не включайте кофеварку без воды.
 - Осторожно обращайтесь со стеклянной колбой для кофе, во избежание её повреждения!
 - Не используйте колбу для иных целей, не ставьте её на электрические и газовые плиты, не используйте колбу в микроволновых печах.
 - Используйте кофеварку только с установленной колбой для кофе.
 - Не снимайте колбу с площадки для подогрева в процессе приготовления кофе.
 - Не оставляйте пустую колбу на площадку для подогрева, не допускайте резких температурных перепадов, в противном случае стекло колбы может треснуть.
 - Не ставьте горячую стеклянную колбу на холодную поверхность.
 - Не используйте кофеварку, если стеклянная колба повреждена.
 - Во избежание ожога не дотрагивайтесь до горячих поверхностей кофеварки в процессе приготовления кофе и сразу после её выключения. Дайте кофеварке остыть.
 - Во время приготовления кофе вода под давлением пара проходит через молотый кофе, поэтому запрещается наклоняться над кофеваркой, открывать крышку резервуара, вынимать держатель фильтра и многоразовый фильтр.
 - Дайте устройству полностью остыть перед чисткой и снятием принадлежностей.
 - Отключайте кофеварку от электрической сети перед чисткой или в том случае, если вы ей не пользуетесь. При отключении кофеварки от электрической сети держитесь только за вилку шнура питания и аккуратно выньте её из электрической розетки, не тяните за шнур питания — это может привести к повреждению шнура питания, электрической розетки или вызвать короткое замыкание.
 - Из соображений безопасности детей не остав-

ляйте полиэтиленовые пакеты, используемые в качестве упаковки, без присмотра.

ВНИМАНИЕ!

Не разрешайте детям играть с полиэтиленовыми пакетами или упаковочной плёнкой. **Опасность удушья!**

- Кофеварка не предназначена для использования детьми.
- Осуществляйте надзор за детьми, чтобы не допустить использования прибора в качестве игрушки.
- Не разрешайте детям прикасаться к устройству и к шнуру питания во время работы кофеварки.
- Во время работы и остывания размещайте устройство в местах, недоступных для детей.
- Данное устройство не предназначено для использования лицами (включая детей) с пониженными физическими, психическими или умственными способностями, или при отсутствии у них опыта или знаний, если они не находятся под контролем или не проинструктированы об использовании прибора лицом, ответственным за их безопасность.
- Периодически проверяйте состояние шнура питания и вилки шнура питания.
- При повреждении шнура питания его замену во избежание опасности должны производить изготовитель, сервисная служба или подобный квалифицированный персонал.

- Запрещается самостоятельно ремонтировать прибор. Не разбирайте прибор самостоятельно, при возникновении любых неисправностей, а также после падения устройства выключите прибор из электрической розетки и обратитесь в сервисный центр.
- Перевозите кофеварку в заводской упаковке.
- Храните устройство в местах, недоступных для детей и людей с ограниченными возможностями.

КОФЕВАРКА ПРЕДНАЗНАЧЕНА ТОЛЬКО ДЛЯ БЫТОВОГО ИСПОЛЬЗОВАНИЯ, ЗАПРЕЩАЕТСЯ ИСПОЛЬЗОВАТЬ КОФЕВАРКУ В КОММЕРЧЕСКИХ ИЛИ ЛАБОРАТОРНЫХ ЦЕЛЯХ.

ПОДГОТОВКА КОФЕВАРКИ К РАБОТЕ

После транспортировки или хранения устройства при пониженной температуре необходимо выдерживать его при комнатной температуре не менее трёх часов.

- Распакуйте кофеварку и удалите все упаковочные материалы.
- Сохраните заводскую упаковку.
- Ознакомьтесь с мерами безопасности и рекомендациями по эксплуатации.
- Проверьте комплектацию.
- Осмотрите кофеварку на наличие повреждений при наличии повреждений не включайте её в электрическую розетку.

- Убедитесь, что параметры напряжения питания, указанные на нижней панели изделия, соответствуют параметрам электрической сети. При использовании устройства в электрической сети частотой 60 Гц, никаких дополнительных действий не требуется.
- Протрите поверхность корпуса кофеварки (9) чистой, слегка влажной тканью для удаления пыли.
- Откройте крышку (6).
- Выньте многоразовый фильтр (5), нажмите на фиксатор и выньте держатель фильтра (4).
- Промойте тёплой водой с нейтральным моющим средством все съёмные детали: колбу для кофе (1), держатель фильтра (4), фильтр (5), ополосните их и просушите.
- Установите держатель фильтра (4) на месте.
- Вставьте фильтр (5) в держатель (4).
- Наполните колбу для кофе (1) чистой водой приблизительно наполовину.
- Откройте крышку (6) и вылейте воду из колбы (1) в резервуар (7).
- Закройте крышку (6) и установите колбу (1) на площадку (10).
- Вставьте вилку шнура питания в электрическую розетку на дисплее (15) отобразятся мигающие цифровые символы «12:00».

УСТАНОВКА ТЕКУЩЕГО ВРЕМЕНИ

- Поверните ручку (13) в положение «ЧАСЫ», ка-

ждое нажатие на ручку (13) увеличивает текущее время на час, для быстрой установки времени «часы», нажмите и удерживайте ручку (13) более 2 секунд.

- Поверните ручку (13) в положение «МИН», каждое нажатие на ручку (13) увеличивает текущее время на минуту, для быстрой установки времени «минуты», нажмите и удерживайте ручку (13) более 2 секунд.
- Для подтверждения текущего времени, один раз нажмите на ручку (13).
- Включите кофеварку, для этого поверните ручку (13) в положение «ВКЛ/ВЫКЛ», нажмите на ручку (13) при этом красным цветом загорится световой индикатор (14) и кофеварка включится.
- После того как в резервуаре (7) не останется воды, выключите кофеварку, повторно нажав на ручку (13), при этом световой индикатор (14) погаснет.

Примечание:

- При необходимости Вы можете в любое время выключить кофеварку, нажав на ручку (13).
- Дайте устройству остыть в течение 5 минут и вылейте воду из колбы (1).
- При необходимости повторите цикл промывки кофеварки 2-3 раза.

ПРИГОТОВЛЕНИЕ КОФЕ

- Готовый кофе получается в процессе однократ-

ного прохождения горячей воды через слой молотого кофе в фильтре (5). Вкус готового напитка зависит от качества исходного продукта, поэтому рекомендуется использовать хорошо прожаренные и свежемолотые зёрна кофе.

- Откройте крышку (6).
- Отмерьте необходимое количество молотого кофе и засыпьте его в фильтр (5). В среднем на одну чашку кофе требуется 6 грамм молотого кофе, точное количество подбирайте по вкусу.
- Наполните резервуар (7) холодной водой до требуемого уровня. Уровень воды определите с помощью шкалы (8).
- Закройте крышку (6).
- Установите колбу (1) на площадку (10).
- Вставьте вилку шнура питания в электрическую розетку на дисплее (15) отобразятся мигающие цифровые символы «12:00».

Примечание: - если необходимо установить текущее время, см. раздел «Установка текущего времени».

- Включите кофеварку, для этого поверните ручку (13) в положение «ВКЛ/ВЫКЛ», нажмите на ручку (13) при этом красным цветом загорится световой индикатор (14) и кофеварка включится.
- После того как колба (1) наполнится готовым кофе, выключите кофеварку, повторно нажав на ручку (13) при этом световой индикатор (14) погаснет.

- Чтобы кофе оставался горячим, оставьте колбу (1) на площадке (10) и не выключайте кофеварку.

Примечание: - время подогрева готового кофе ограничено 40 минутами, после этого кофеварка выключится.

ВНИМАНИЕ!

- Когда отпадёт необходимость в подогреве колбы (1), обязательно выключите кофеварку, нажав на ручку (13).
- Вода под давлением пара проходит через молотый кофе, поэтому во время приготовления кофе запрещается наклоняться над кофеваркой, открывать крышку (6), вынимать держатель фильтра (4) и фильтр (5).
- Запрещается оставлять пустую колбу для кофе (1) на площадке для подогрева колбы (10), в противном случае стекло колбы может треснуть.

ПРИГОТОВЛЕНИЕ «КРЕПКОГО КОФЕ»

- Для приготовления «крепкого кофе», поверните ручку (13) в положение «КРЕПКИЙ», при этом загорится индикатор (16), затем поверните ручку (13) в положение «ВКЛ/ВЫКЛ» и нажмите один раз на ручку (13), при этом красным цветом загорится световой индикатор (14) и кофеварка включится в режиме приготовления «крепкого кофе».

Примечание: - для отмены режима приготовления «крепкого кофе», поверните ручку (13) в положение «КРЕПКИЙ» и один раз нажмите на ручку (13), индикатор (16) погаснет.

ФУНКЦИЯ ПРОГРАММИРОВАНИЯ ВРЕМЕНИ ВКЛЮЧЕНИЯ КОФЕВАРКИ

- Откройте крышку (6).
- Отмерьте необходимое количество молотого кофе и засыпьте его в фильтр (5). В среднем на одну чашку кофе требуется 6 грамм молотого кофе, точное количество подбирайте по вкусу.
- Наполните резервуар (7) холодной водой до требуемого уровня. Уровень воды определите с помощью шкалы (8).
- Закройте крышку (6).
- Установите колбу (1) на площадку (10).
- Вставьте вилку шнура питания в электрическую розетку на дисплее (15) отобразятся мигающие цифровые символы «12:00».
- Если текущее время не установлено, установите текущее время. (см. раздел «Установка текущего времени»). Формат времени 24 часа.

Пример: - допустим, текущее время 9:00 часов утра, Вы хотите приготовить кофе в 13:00 часов.

- Поверните ручку (13) в положение «ТАЙМЕР» один раз нажмите на ручку (13), индикатор (14) будет мигать зелёным цветом, на дисплее (15)

отобразятся мигающие символы

- Поверните ручку (13) в положение «ЧАСЫ», нажатием на ручку (13) установите время «ЧАСЫ» «13».
- Поверните ручку (13) в положение «МИН», нажатием на ручку (13) установите время «МИН» «00».
- Поверните ручку (13) в положение «ТАЙМЕР» один раз нажмите на ручку (13), индикатор (14) будет мигать зелёным цветом, на дисплее (15) отобразятся символы «13:00», через некоторое время дисплее (15) отобразится текущее время.

Примечания:

- во время работы режима отложенного старта, функции установки времени «часы и минуты» не активны.
- для отмены функции программирования, поверните ручку (13) в положение «ТАЙМЕР», один раз нажмите на ручку (13).
- для изменения времени включения, повторите пункты установки времени включения кофеварки, описанные выше.
- В установленное время, кофеварка включиться и индикатор (14) загорится красным светом.
- Если после приготовления кофе, Вы не выключите кофеварку, то она выключиться через 40 минут.

УДАЛЕНИЕ НАКИПИ

- Регулярно очищайте кофеварку от накипи.

- Можно использовать «домашнее средство для удаления накипи» - это раствор лимонной кислоты в соотношении на сто частей воды три части лимонной кислоты.
- Откройте крышку (6), наполните резервуар (7) средством для удаления накипи до максимального уровня, на шкале уровня воды (8).
- Убедитесь, что держатель фильтра (4) и фильтр (5) установлены на место, и что в фильтре (5) нет молотого кофе.
- Установите колбу (1) на площадку (10).
- Включите кофеварку, для этого поверните ручку (13) в положение «ВКЛ/ВЫКЛ», нажмите на ручку (13) при этом красным цветом загорится световой индикатор (14).
- Выключите кофеварку, повторно нажав на ручку (13).
- Подождите 15-20 минут и включите кофеварку, дождитесь пока в резервуаре (7) не закончится средство для удаления накипи.
- Выключите кофеварку, слейте жидкость из колбы (1).
- После удаления накипи тщательно промойте кофеварку. Для этого залейте в резервуар (7) чистую воду и включите кофеварку, не засыпая в фильтр (5) молотый кофе.
- Повторите цикл промывки кофеварки несколько раз.

Примечание: - для удаления накипи можно исполь-

зовать специальные средства для удаления накипи в кофеварках и кофе машинах, строго соблюдая инструкции по их использованию.

ЧИСТКА И УХОД

- Перед чисткой всегда выключайте кофеварку и вынимайте вилку шнура питания из сетевой розетки.
- Дайте кофеварке полностью остыть и протрите внешние поверхности корпуса (9) мягкой слегка влажной тканью, затем вытрите насухо.
- Для удаления загрязнений используйте мягкие чистящие средства, не используйте металлические щётки, абразивные чистящие средства и растворители.
- Съёмные детали (1, 4, 5) промойте тёплой водой с нейтральным моющим средством, ополосните и просушите, установите держатель фильтра (4) на место, вставьте фильтр (5) в держатель (4), закройте крышку (6).
- Не погружайте кофеварку, шнур питания и вилку шнура питания в воду или любые другие жидкости.

ХРАНЕНИЕ

- Прежде чем убрать кофеварку на хранение, отключите её от электросети и дайте её полностью остыть.

- Произведите чистку кофеварки.
- Храните кофеварку в сухом прохладном месте, недоступном для детей и людей с ограниченными возможностями.

КОМПЛЕКТ ПОСТАВКИ

Кофеварка – 1 шт.

Инструкция – 1 шт.

ТЕХНИЧЕСКИЕ ХАРАКТЕРИСТИКИ

- Электропитание: 220-240 В, ~ 50-60 Гц
- Номинальная потребляемая мощность: 900 Вт
- Объем резервуара для воды: 1,5 л



УТИЛИЗАЦИЯ

В целях защиты окружающей среды, после окончания срока службы прибора, передайте его в специализированные пункты для дальнейшей утилизации.

Отходы, образующиеся при утилизации изделий, подлежат обязательному сбору с последующей утилизацией в установленном порядке.

Для получения дополнительной информации об утилизации данного продукта обратитесь в местный муниципалитет, службу утилизации бытовых отходов

или в магазин, где Вы приобрели данный продукт.

Производитель сохраняет за собой право изменять дизайн, конструкцию и технические характе-

ристики, не влияющие на общие принципы работы устройства, без предварительного уведомления.

Срок службы устройства — 3 года

Дата производства указана в серийном номере.

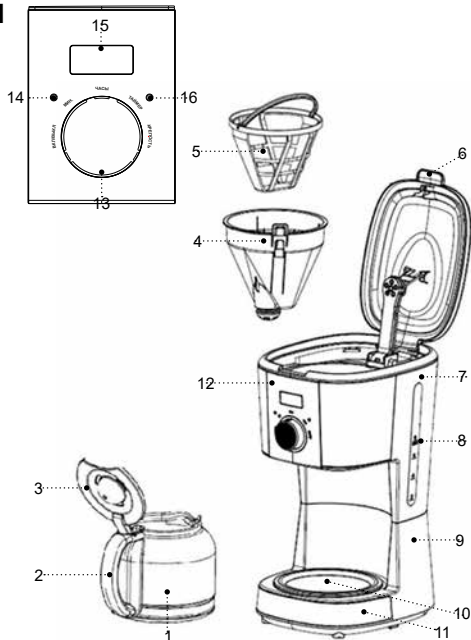
В случае обнаружения каких-либо неисправностей необходимо обратиться в авторизованный сервисный центр.

BR1122 МҮЙІЗДІ КОФЕҚАЙНАТҚЫШ

Кофеқайнатқыш кофе дайындауға арналған

СИПАТТАМАСЫ

1. Дайын кофеге арналған құты
2. Құты тұтқасы
3. Құты қақпағы
4. Сүзгі ұстағышы
5. Көп реттік сүзгі
6. Суға арналған суқойманың қақпағы
7. Суға арналған суқойма
8. Су деңгейінің шәкілі
9. Кофе қайнатқыштың корпусы
10. Құтыны орнататын/құтыны қыздыратын алаңша
11. Тірейтін аяқшалар
12. Басқару тақтасы
13. Басқару тұтқасы
14. Желіге қосу индикаторы/бағдарламалау режимі
15. Дисплей
16. «Күшті кофе» әзірлеу режимінің индикаторы



НАЗАР АУДАРЫҢЫЗ!

Қосымша қорғаныс үшін қуаттандыру тізбегінде номиналдық іске қосылу тогы 30 мА аспайтын қорғаныс сөндіру құралын (ҚСҚ) орнатқан дұрыс, ҚСҚ-ны орнату үшін маманға жүгініңіз.

ҚАУПСІЗДІК ШАРАЛАРЫ ЖӘНЕ КОФЕҚАЙНАТҚЫШТЫ ПАЙДАЛАНУ БОЙЫНША ҰСЫНЫСТАР

Кофеқайнатқышты пайдалану алдында пайдалануға беру жөніндегі нұсқаулығын мұқият оқып шығыңыз, одан кейін болашақта пайдалану үшін сақтап қойыңыз.

- Кофеқайнатқышты осы нұсқаулықта баяндалғандай оның тікелей мақсаты бойынша ғана пайдаланыңыз.
- Кофеқайнатқышты дұрыс қолданбау оның бұзылуына, және пайдаланушыға немесе оның мүлкіне зиян келтіруге әкеп соғуы мүмкін және кепілдік жағдайы болып табылмайды.
- Кофеқайнатқыш эспрессо және капучино кофесін дайындауға, дайын сусындарды жылытуға арналған, кез келген басқа сұйықтықтарды жылытуға тыйым салынады.
- Заттаңбада көрсетілген кофеқайнатқыштың жұмыс кернеуі электр желісінің кернеуіне сәйкес екеніне көз жеткізіңіз.
- Қуаттандыру бауы ашасының жерге қосу байланысы бар,
- оны жерге қосудың сенімді байланысы бар электр розеткасына қосыңыз. Қысқа тұйықталу кезінде, жерге қосуы электр тоғы соққысы қауіпін төмендетеді.
- Егер розетканың дұрыс орнатылғанына және жерге қосылуына сенімді болмасаңыз, электр-манына жүгініңіз.
- Өрттің шығуын болдырмау үшін жерге қосу байланысы жоқ электр розеткасына қосуға арналған, қуаттандыру бауы ашасының «өткізгіштерін» пайдалануға тыйым салынады.
- Күйік иісі және электр розеткасынан от ұшқыны пайда болған кезде, розеткадан желі бауының ашасын суырыңыз және сіздің үйіңіздің электр желісіне қызмет көрсететін ұйымға жүгініңіз.
- Құрылғы корпусынан түтін шыққан кезде қуаттандыру бауының ашасын электр розеткасынан шығарыңыз және от таралмауға қатысты шараларды қолданыңыз.
- Кофеқайнатқышты 0 °С-тан жоғары температурада пайдаланыңыз және сақтаңыз.
- Электр кофеқайнатқышты үй-жайдан тыс жерде пайдалануға тыйым салынады.
- Найзағай кезінде құрылғыны пайдалану ұсынылмайды.
- Құрылғыны соққыдан, құлаудан, дірілден және басқа да механикалық әсерлерден сақтаңыз.
- Желіге қосылған кофеқайнатқышты қараусыз қалдырмаңыз.
- Өрттің шығуын, электр тоғы соққысын немесе физикалық жарақат алуды болдырмау үшін желі бауының ашасын, желі бауын немесе кофеқайнатқыш корпусын суға немесе басқа да сұй-

ықтықтарға батырмаңыз.

- Кофеқайнақышты ас үй раковинасына жақын, жуынатын бөлмеде, бассейндер немесе басқа да су толтырылған сыйымдылықтарға жақын жерде пайдаланбаңыз.
- Құрылғы суға құлап кеткен жағдайда, дереу желі бауының ашасын электр розеткасынан сурыңыз, содан кейін ғана құрылғыны судан алып шығыңыз. Құрылғыны тексерту немесе жөндету үшін сервис орталығына жүгініңіз.
- Кофеқайнатқышты жылу көздерінің, жылыту аспаптарының немесе ашық оттың тікелей жанында пайдаланбаңыз.
- Құрылғыны аэрозольдар пайдаланылатын немесе шашырайтын жерлерде, сондай-ақ тез тұтанатын сұйықтықтарға жақын жерлерде пайдалануға тыйым салынады.
- Кофеқайнатқышты тегіс және тұрақты бетке орнатыңыз, оны үстелдің шетіне қоймаңыз. Желі бауының үстелден салбырап тұруына жол бермеңіз, сонымен бірге оның ыстық беттермен және жиһаздың өткір жиектерімен жанаспауын қадағалаңыз.
- Кофеқайнатқышты ыстық беттерге қоймаңыз.
- Қуаттандыру бауы мен қуаттандыру бауының ашасына сулы қолмен тиісуге тыйым салынады.
- Жеткізілім жиынтығына кіретін кофеқайнатқыш бөлшектері мен жабдықтарын ғана пайдаланыңыз.
- Кофеқайнатқышты қосар алдында барлық шешілмелі бөлшектерінің дұрыс орнатылғанына көз жеткізіңіз.
- Суқоймадағы судың деңгейі минималдық белгіден төмен болмауын қадағалаңыз.
- Суы жоқ кофеқайнатқышты қоспаңыз.
- Кофенің шыны құтысының зақымдануын болдырмау үшін, оны абайлап ұстаңыз!
- Құтыны басқа мақсаттар үшін пайдаланбаңыз, оны электр және газ пештеріне қоймаңыз, құтыны қысқа толқынды пештерде пайдаланбаңыз.
- Кофеқайнатқышты кофеге арналған құтысы орнатулы тұрған кезде ғана пайдаланыңыз.
- Кофе әзірлеу барысында құтыны қыздыруға арналған тұғырдан шешіп алмаңыз.
- Бос құтыны қыздыратын алаңшада қалдырмаңыз, және температураның кенет ауытқуына жол бермеңіз, кері жағдайда құты шынысы шытынап кетуі мүмкін.
- Ыстық шыны құтыны суық бетке қоймаңыз.
- Егер шыны құты бүлінген болса, кофеқайнатқышты пайдаланбаңыз.
- Күйік алуға жол бермеу үшін кофе әзірлеу барысында және оны сөндіргеннен кейін бірден кофеқайнатқыштың ыстық беттеріне қолыңызды тигізбеңіз. Кофеқайнатқышты салқындатыңыз.
- Кофе әзірлеген уақытта су қысыммен үгетілген кофе арқылы өтеді, сондықтан кофеқайнатқыштың үстінен еңкейіп төнуге, суқойманың

- қапағын ашуға, сүзгі ұстағышын алуға және көп реттік сүзгіні шығаруға тыйым салынады.
- Тазалау және жабдықтарын шешу алдында құрылғыны толығымен суытыңыз.
- Кофеқайнатқышты тазалау алдында немесе пайдаланбайтын болған жағдайда, оны электр желісінен ажыратыңыз. Кофеқайнатқышты желіден ажыратқан кезде тек қуаттандыру бауының ашасынан ұстаңыз және оны электр розеткасынан абайлап шығарыңыз, қуаттандыру бауынан тартпаңыз — бұл қуаттандыру бауының, электр розетканың зақымдануына әкелуі немесе қысқа тұйықталуын тудыруы мүмкін.
- Балалардың қауіпсіздігі мақсатында қаптама ретінде қолданылатын полиэтилен пакеттерді қараусыз қалдырмаңыз.

НАЗАР АУДАРЫҢЫЗ!

Балаларға полиэтилен пакеттерімен немесе қаптама үлдірімен ойнауға рұқсат етпеңіз. **Тұншығу қаупі бар!**

- Кофеқайнатқыш балалардың пайдалануына арналмаған.
- Аспапты ойыншық ретінде пайдаланбаулары үшін балаларды қадағалап отырыңыз.
- Кофеқайнатқыш жұмыс істеп тұрғанда балаларға қуаттандыру бауына және құрылғыға тиісуіне жол бермеңіз.
- Жұмыс кезінде және суу кезінде құрылғыны балалардың қолы жетпейтін жерге қойыңыз.
- Осы құрылғы дене, психикалық немесе ақыл-ой мүмкіндіктері төмендетілген тұлғалардың (балаларды қоса) немесе олардың тәжірибесі немесе білімі болмаса, егер олар бақыланбаса немесе олардың қауіпсіздігі үшін жауап беретін тұлғамен аспапты пайдалану туралы нұсқаулықтар берілген болмаса, олардың пайдалануына арналмаған.
- Қуаттандыру бауының, қуаттандыру бауының ашасы және құрылғы корпусының жағдайын мезгілімен тексеріп отырыңыз.
- Қуаттандыру бауы зақымданғанда қауіп тудырмау үшін оны дайындаушы, сервистік қызмет немесе баламалы білікті маман ауыстыруы тиіс.
- Аспапты өз бетіңізбен жөндеуге тыйым салынады. Аспапты өз бетіңізбен жөндемеңіз, кез-келген ақаулықтар пайда болған кезде, сондай-ақ құрал құлағаннан кейін құрылғыны электр розеткасынан ажыратып, қызмет көрсету орталығына хабарласыңыз.
- Кофеқайнатқышты тек зауыт қаптамасымен ғана тасымалдаңыз.
- Құрылғыны балалардың және мүмкіндіктері шектеулі адамдардың қолы жетпейтін жерде сақтаңыз.

**КОФЕҚАЙНАТҚЫШ ТЕК ТҰРМЫСТЫҚ ПАЙДАЛА-
НУҒА АРНАЛҒАН, КОФЕҚАЙНАТҚЫШТЫ КОМЕР-
ЦИЯЛЫҚ НЕМЕСЕ ЗЕРТХАНАЛЫҚ МАҚСАТТАРДА
ПАЙДАЛАНУҒА ТЫЙЫМ САЛЫНАДЫ.**

КОФЕҚАЙНАТҚЫШТЫ ЖҰМЫСҚА ДАЙ- ЫНДАУ

**Құрылғыны төмен температурада тасымалдаған-
нан кейін немесе сақтағаннан кейін оны бөлме
температурасында үш сағаттан кем емес уақыт
ұстау қажет.**

- Кофеқайнатқышты қаптамадан шығарыңыз және барлық қаптама материалдарын алып тастаңыз.
- Зауыт қаптамасын сақтап қойыңыз.
- Қауіпсіздік шаралары мен пайдалану нұсқаула-рымен танысыңыз.
- Жинақталымын тексеріңіз.
- Кофеқайнатқышты зақымдануға тексеріңіз, зақымданған жері бар болған жағдайда оны электр розеткасына қоспаңыз.
- Бұйымның төменгі панелінде көрсетілген қуат-тандыру кернеуінің параметрлері электр желісінің параметрлеріне сәйкес келетініне көз жеткізіңіз. Құрылғыны 60 Гц жиіліктегі электр желісінде пайдаланғанда, ешқандай қосымша әрекет қажет емес.
- Кофеқайнатқыш корпусының (9) сыртқы бетін

таза, шаңды сүртуге арналған сәл дымқыл мата-мен сүртіңіз.

- Қақпақты (6) ашыңыз.
- Қайта пайдалануға болатын сүзгіні (5) шығарып алыңыз және бекіткішті басып, сүзгі ұстағышы (4) шығарып алыңыз.
- Барлық алынбалы бөлшектерді бейтарап жуу құралы бар жылы сумен жуыңыз: кофе құтысын (1), сүзгі ұстағышы (4), сүзгіні (5), оларды шай-ыңыз және кептіріңіз.
- Сүзгіш ұстағышын (4) орнына орнатыңыз.
- Сүзгіні (5) ұстағышқа (4) салыңыз.
- Кофеге арналған құтыны (1) таза сумен жартысы-на дейін толтырыңыз.
- Қақпақты (6) ашыңыз және суды құтыдан (1) суқоймаға (7) құйыңыз.
- Қақпақты (6) жабыңыз, құтыны (1) алаңшаға (10) орнатыңыз.
- Желі бауының ашасын электр розеткаға қосыңыз, дисплейде (15) жыпылықтаған цифрлы таңбалар «12:00» пайда болады.

АҒЫМДАҒЫ УАҚЫТТЫ ОРНАТУ

- Тұтқаны (13) күйіне «ЧАСЫ» бұрыңыз, тұтқаға (13) әр басқан сайын ағымдағы уақыт бір сағатқа көбейіп отырады, уақытты «сағат» жылдам орнату үшін, тұтқаны (13) басыңыз және 2 секундтан асырмай басып тұрыңыз.
- Тұтқаны (13) күйіне «МИН» бұрыңыз, тұтқаға (13)

әр басқан сайын ағымдағы уақыт бір минутқа көбейіп отырады, уақытты «МИН» жылдам орнату үшін, тұтқаны (13) басыңыз және 2 секундтан асырмай басып тұрыңыз.

- Ағымдағы уақытты растау үшін тұтқаны (13) бір рет басыңыз.
- Кофеқайнатқышты қосыңыз, ол үшін тұтқаны (13) күйіне «ВКЛ/ВЫКЛ» бұрыңыз, тұтқаны (13) басыңыз, осы ретте жарық индикаторы (14) қызыл түспен жанады және кофеқайнатқыш қосылады.
- Сұйыққоймада (7) су қалмағаннан кезде, тұтқаны (13) қайта басып кофеқайнатқышты өшіріңіз, бұл ретте жарық индикаторы (14) өшеді.

Ескертпе:

- Сіз кез-келген уақытта қажет болса, кофеқайнатқышты тұтқаны (13) басу арқылы өшіре аласыз.
- Құрылғыны 5 минут бойы суытыңыз, суды құтыдан (1) төгіңіз.
- Қажет болса, кофеқайнатқыштың жуу циклын 2-3 рет қайталаңыз.

КОФЕ ӘЗІРЛЕУ

- Ыстық су сүзгіштегі (5) ұнтақталған кофенің қабатынан бір рет өткен кезде кофе әзірленеді. Дайын сусынның дәмі бастапқы өнімнің сапасына байланысты, сондықтан жақсы қуырылған және дәні жаңа ұнтақталған кофені пайдалану ұсынылады.
- Қақпақты (6) ашыңыз.

- Ұнтақталған кофенің қажетті көлемін өлшеңіз және оны сүзгіге (5) салыңыз. Орташа мөлшермен бір тостаған кофеге 6 грамм ұнтақталған кофе қажет, дәл мөлшерін талғамға қарай таңдаңыз.
- Және сұқойманы (7) қажетті деңгейге дейін суық сумен толтырыңыз. Су деңгейін шәкіл (8) арқылы анықтаңыз.
- Қақпақты (6) жабыңыз.
- Құтыны (1) алаңшаға (10) орнатыңыз.
- Желі бауының ашасын электр розеткаға қосыңыз, дисплейде (15) цифрлі таңбалар «12:00» пайда болады.

Ескертпе: - егер ағымдағы уақытты орнату керек болса, «Ағымдағы уақытты орнату» тарауын қараңыз.

- Кофеқайнатқышты қосыңыз, ол үшін тұтқаны (13) күйіне «ВКЛ/ВЫКЛ» бұрыңыз, тұтқаны (13) басыңыз, осы ретте жарық индикаторы (14) қызыл түспен жанады және кофеқайнатқыш қосылады.
- Құтыға (1) дайын кофе толтырылғаннан кейін, тұтқаны (13) қайта басып, кофеқайнатқышты өшіріңіз, бұл ретте жарық индикаторы (14) өшіріледі.
- Кофе ыстық күйде қалу үшін құтыны (1) алаңшада (10) қалдырыңыз және кофеқайнатқышты өшірмеңіз.

Ескертпе: - дайын кофені жылыту уақыты 40 минутпен шектелген, содан кейін кофеқайнатқыш өшіріледі.

НАЗАР АУДАРЫҢЫЗ!

- Құтыны (1) қыздыру қажеттілігі болмаған кезде, үшін тұтқаны (13) батырмасын басып кофеқайнатқышты міндетті түрде өшіріңіз.
- Су бу қысымымен ұнтақталған кофе арқылы өтеді, сондықтан кофені әзірлеу кезінде кофе қайнатқыштың үстіне еңкеюге, қақпақты (6) ашуға, құйғышты бұрауға, сүзгі ұстағышын (4) және сүзгіні (5) шығаруға тыйым салынады.
- Кофеге арналған бос құтыны (1) құтыны қыздыруға арналған алаңшада (10) қалдыруға тыйым салынады, кері жағдайда құтының шынысы шытынап кетуі мүмкін.

«КҮШТІ КОФЕ» ӘЗІРЛЕУ

- «Күшті кофе» әзірлеу үшін, тұтқаны (13) күйіне «КРЕПКИЙ» басыңыз, осы ретте индикатор (16) жанады, содан кейін тұтқаны (13) күйіне «ВКЛ/ВЫКЛ» бұрыңыз және тұтқаны (13) бір рет басыңыз, осы ретте жарық индикаторы (14) қызыл түспен жанады және кофеқайнатқыш «күшті кофе» әзірлеу режимінде қосылады.

Ескертпе: - «күшті кофе» әзірлеу режимін болдырмау үшін, тұтқаны (13) күйіне «КРЕПКИЙ» бұрыңыз және бір рет тұтқаны (13) басыңыз, индикатор (16) өшеді.

КОФЕҚАЙНАТҚЫШТЫҢ ҚОСЫЛУ УАҚЫТЫН БАҒДАРЛАМАЛАУ ФУНКЦИЯСЫ

- Қақпақты (6) ашыңыз.
- Ұнтақталған кофенің қажетті көлемін өлшеңіз және оны сүзгіге (5) салыңыз. Орташа мөлшермен бір тостаған кофеге 6 грамм ұнтақталған кофе қажет, дәл мөлшерін талғамға қарай таңдаңыз.
- Және сұқойманы (7) қажетті деңгейге дейін суық сумен толтырыңыз. Су деңгейін шәкіл (8) арқылы анықтаңыз.
- Қақпақты (6) жабыңыз.
- Құтыны (1) алаңшаға (10) орнатыңыз.
- Желі бауының ашасын электр розеткаға қосыңыз, дисплейде (15) цифрлі таңбалар «12:00» пайда болады.
- Егер ағымдағы уақыт орнатылмаса, ағымдағы уақытты орнатыңыз. Уақыт форматы 24 сағат.

Мысал: - мысалы, ағымдағы уақыт сағат таңғы 9:00, сіз сағат 13:00-де кофе әзірлегіңіз келеді.

- Тұтқаны (13) күйіне «ТАЙМЕР» бұрыңыз және бір рет тұтқаны (13) басыңыз, индикатор (14) жасыл түспен жыпылықтайды, дисплейде (15) жыпылықтайтын таңбалар пайда болады
- Тұтқаны (13) күйіне «ЧАСЫ» бұрыңыз, тұтқаны (13) басу арқылы уақытты «сағатты» «13»-ге қойыңыз.
- Тұтқаны (13) күйіне «МИН» бұрыңыз, тұтқаны (13) басу арқылы уақытты «минуттарды» «00»-ге

қойыңыз.

- Тұтқаны (13) күйіне «ТАЙМЕР» бұрыңыз бір рет тұтқаны (13) басыңыз, индикатор (14) жасыл түспен жыпылықтайды, дисплейде (15) таңбалар «13:00» пайда болады, бірақ уақыттан кейін ағымдағы уақыт көрсетіледі.

Ескертпелер:

- кейінге қойылған старт режимі жұмыс істеп тұрған кезде «сағат және минуттар» уақытты орнату қызметтері белсенді емес.
- бағдарламалау функциясынан бас тарту үшін тұтқаны (13) күйіне «ТАЙМЕР» бұрыңыз, бір рет тұтқаны (13) басыңыз.
- қосу уақытын өзгерту үшін, жоғарыда сипатталған кофеқайнатқыштың қосу уақытын орнату тармақтарын қайталаңыз.
- Белгіленген уақытта, кофеқайнатқыш қосылады және индикатор (14) жанады.
- Егер кофе дайындағаннан кейін, Сіз батырмасын басу арқылы кофеқайнатқышты өшірмесеңіз, онда ол 40 минуттан кейін өшіріледі.

ҚАҚТЫ КЕТІРУ

- Кофеқайнатқышты қақтан мезгілімен тазалаңыз.
- «Қақты кетіретін үй құралын» қолдануға болады бұл лимон қышқылының үш бөлігін судың жүз бөлігіне қатысты лимон қышқылының ерітіндісі.
- Қақпақты (6) ашыңыз, суқойманы (7) су деңгейінің

шәкіліндегі (8) ең жоғарғы деңгейге дейін қақты жоятын құралымен толтырыңыз.

- Сүзгі ұстағышы (4) және сүзгі (5) орынға орнатылғанына және сүзгіде (5) ұнтақталған кофе жоқ екеніне көз жеткізіңіз.
- Құтыны (1) алаңшаға (10) орнатыңыз.
- Кофеқайнатқышты қосыңыз, ол үшін тұтқаны (13) күйіне «ВКЛ/ВЫКЛ» бұрыңыз, тұтқаны (13) басыңыз, осы ретте жарық индикаторы (14) қызыл түспен жанады.
- Тұтқаны (13) қайта басып, кофеқайнатқышты өшіріңіз.
- 15-20 минут күтіңіз және кофеқайнатқышты қосыңыз, суқоймада (7) тазалау құралы аяқталғанша күтіңіз.
- Кофеқайнатқышты өшіріңіз, құтыдан (1) сұйықтықты төгіңіз.
- Қақты кетіргеннен кейін кофеқайнатқышты әбден жуыңыз. Бұл үшін суқоймаға (7) сүзгіге (5) ұнтақталған кофені сеппей, таза суды құйыңыз да, құрылғыны қосыңыз.
- Кофеқайнатқыштың жуу циклын бірнеше рет қайталаңыз.
- **Ескертпе:** қақты кетіру үшін кофеқайнатқыштар мен кофе-машиналардағы қақты кетіруге арналған арнайы құралдарды, оларды пайдалану нұсқаулығын қатаң сақтай отырып, қолдануға болады.

ТАЗАРТУ ЖӘНЕ КҮТІМІ

- Тазалау алдында әрқашан кофеқайнатқышты өшіріңіз және қуаттандыру бауының ашасын желі розеткасынан алып тастаңыз.
- Кофеқайнатқышты толық суытыңыз, корпустың (9) сыртқы беттерін сәл дымқыл жұмсақ матамен сүртіп, содан кейін құрғатып сүртіңіз.
- Ластануды жою үшін жұмсақ тазалағыш құралдарды пайдаланыңыз, металл қылшақтарды және абразивті тазартқыш құралдарды және еріткіштерді пайдаланбаңыз.
- Алынбалы бөлшектерді (1, 4, 5) бейтарап жуғыш заты қосылған жылы сумен жуып жіберііз, шайыңыз және құрғатыңыз, сүзгі ұстағышын (4) орнына қойыңыз, сүзгіні (5) ұстағышқа (4) салыңыз, қақпақты (6) жабыңыз.
- Кофеқайнатқышты, қуаттандыру бауын және желі бауының ашасын суға немесе кез-келген басқа сұйықтықтарға салмаңыз.

САҚТАЛУЫ

- Кофеқайнатқышты ұзақ уақыт бойы сақтауға алып қоймас бұрын, оны электр желісінен ажыратыңыз және оны толық суытыңыз.
- Кофеқайнатқыштың тазалауын жүргізіңіз.
- Кофеқайнатқышты салқын және құрғақ жерде, балалардың және мүмкіндігі шектеулі адамдардың қолы жетпейтін жерде сақтаңыз.

ЖЕТКІЗІЛІМ ЖИЫНТЫҒЫ

Кофеқайнатқыш – 1 дн.

Нұсқаулық– 1 дн.

ТЕХНИКАЛЫҚ СИПАТТАМАЛАРЫ

- Электр қуаттандыруы: 220-240 В, ~ 50-60 Гц
- Номиналды тұтыну қуаты: 900 Вт
- Суға арналған суқойманың көлемі: 1,5 л



ПАЙДАҒА АСЫРУ

Қоршаған ортаны қорғау мақсатында, аспаптың қызмет ету мерзімі аяқталғаннан кейін оны одан әрі пайдаға асыру үшін арнайы пункттерге жіберіңіз.

Бұйымдарды пайдаға асыру кезінде пайда болатын қалдықтар белгіленген тәртіп бойынша келесі пайдаға асыру үшін міндетті түрде жинастуруға жатады.

Берілген өнімді пайдаға асыру туралы қосымша ақпаратты алу үшін жергілікті муниципалитетке, тұрмыстық қалдықтарды пайдаға асыру қызметіне немесе берілген өнімді Сіз сатып алған дүкенге жүгініңіз.

Өндіруші құрылғының жалпы жұмыс ұстанымдарына әсер етпейтін дизайнды, алдын ала ескертусіз құрастырылымын және техникалық сипаттамаларды өзгерту құқығын өзінде сақтайды.

Hergestellt für «Ruste GmbH»,
Berggasse 18/18, 1090 Wien,
Österreich

Produced for «Ruste GmbH»,
Berggasse 18/18, 1090 Vienna, Austria

Изготовлено по заказу Русте Гмбх,
Бергассе 18/18, 1090 Вена, Австрия

Уполномоченное изготовителем
лицо: ООО «Грантэл»
143912, МО, г. Балашиха,
ш. Энтузиастов, вл. 1А
т.: +7 (495) 297-50-20,
e-mail: info@brayer.su

Made in China/Произведено в Китае

brayer.su

