

Instruction manual
Инструкция по эксплуатации

Vacuum cleaner BR4267
Пылесос BR4267



СОДЕРЖАНИЕ

EN.....	3
DE.....	14
RU	26
KZ.....	38

VACUUM CLEANER BR4267

Wireless handheld vacuum cleaner is intended for room dry cleaning.

DESCRIPTION

1. Handle
2. Control Panel
3. Rechargeable Battery Charge Level Indication
4. Dust Box Lock Button
5. Dust Box
6. Lower Cover Lock
7. Dust Box Lower Cover
8. Extension Pipe/Nozzle Upper Lock
9. Extension Pipe
10. Extension Pipe/Nozzle Lower Lock
11. Power Brush
12. Rechargeable Battery
13. Wall Mount
14. Vacuum Cleaner Suction Power Setting Button
«Low-Max»
15. Power Button
16. Mesh Filter
17. HEPA Filter
18. HEPA Filter Holder
19. Battery Charge Level Light Indicator
20. Power Adapter Connection Socket
21. Round Brush Lock Stopper
22. Round Brush Lock
23. Round Brush
24. Universal Nozzle
25. Power Adapter

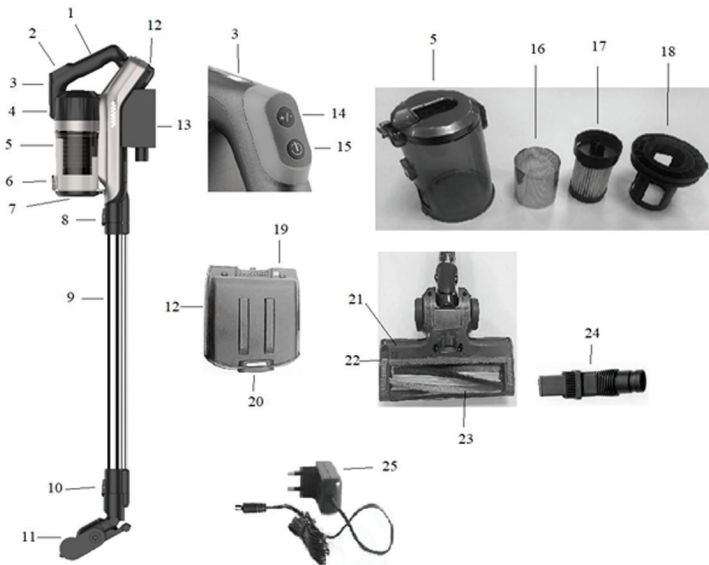




Fig. 1



Fig. 2



Fig. 3



Fig. 4



Fig. 5



Fig. 6



Fig. 7



Fig. 8



Fig. 9



Fig. 10



Fig. 11



Fig. 12



Fig. 13

SAFETY MEASURES AND OPERATION RECOMMENDATIONS

Read the operation manual carefully before using the vacuum cleaner; after reading, keep it for future reference.

- Use the unit for its intended purpose only, as it is stated in this manual.
- Mishandling the unit can lead to its breakage and cause harm to the user or damage to the user's property, which is not covered by warranty.
- Make sure that the operating voltage of the Power Adapter (as indicated on the label) corresponds to the mains voltage.
- Do not touch the power adapter body with wet hands during battery charging.
- Before using the vacuum cleaner charge the battery. If you didn't use the vacuum cleaner more than for 3 months, charge the battery.
- Do not charge the rechargeable battery in places with high moisture and high temperature. Charge the accumulator battery at the temperature from +5° C to +35° C and relative air humidity no more than 80%.
- Do not leave the plugged in power adapter unattended.
- Do not use the Vacuum Cleaner with the Dust Box installed improperly or with no Dust Box installed, with no Mesh Filter or HEPA Filter installed.
- Do not use the vacuum cleaner if the dust bin is not installed or installed improperly, or if the inlet and outlet filters are not installed.
- Use only the parts and attachments supplied with the unit.
- Do not use the vacuum cleaner outdoors.
- Protect the unit from impacts, falling, vibrations and other mechanical stress.
- Do not use the unit near heating appliances, heat sources or open flame.
- Do not use the vacuum cleaner in places where aerosols are used or sprayed, and in proximity to highly inflammable liquids; do not use the vacuum cleaner in the places where such liquids are stored.
- The vacuum cleaner is not intended for collecting water or other liquids.
- Do not use the vacuum cleaner for collecting burning or smoking cigarettes or cinders.
- Do not use the vacuum cleaner for collecting dust of plaster, concrete, flour or ashes.
- Do not use the vacuum cleaner to clean your pets' fur.
- Keep free hanging clothes, hair and other parts of your body away from the air inlets of the brush or the attachments while room cleaning.
- Close attention is necessary while cleaning the stair landings
- Do not cover the inlets and outlets of the vacuum cleaner with any foreign objects. Do not switch the vacuum cleaner on if any of its openings is blocked.
- Do not use the power cord as a handle for carrying the vacuum cleaner; carry it by the handle.
- Perform periodic cleaning of the Dust Box, Mesh Filter, and HEPA Filter.

- Turn off the Vacuum Cleaner, using the Power button, after use or before cleaning.
- For children safety reasons do not leave polyethylene bags used as a packaging unattended.

Attention! Do not allow children to play with polyethylene bags or packaging film. **Danger of suffocation!**

- The unit is not intended for usage by children.
- Do not leave children unattended to prevent using the unit as a toy.
- Do not allow children to touch the power adapter body during battery charging.
- Be especially careful if children or disabled persons are near the operating unit.
- During the unit operation and breaks between operation cycles, place the unit out of reach of children.
- The unit is not intended for usage by physically or mentally disabled persons (including children) or by persons lacking experience or knowledge if they are not under supervision of a person who is responsible for their safety or if they are not instructed by this person on the usage of the unit.
- Do not repair the unit by yourself. Do not disassemble the unit by yourself; if any malfunction is detected, and after the unit has been dropped, apply to the service center.

- To avoid damage, transport the unit in the original package.
- Keep the unit in a dry cool place out of reach of children and disabled persons.

THE UNIT IS INTENDED FOR HOUSEHOLD USE ONLY, DO NOT USE THE UNIT FOR COMMERCIAL OR LABORATORY PURPOSES.

BEFORE THE FIRST USE

After the unit's transportation or storage at negative temperature, unpack it and wait for at least 3 hours before using it.

- Unpack the vacuum cleaner, remove all packaging and advertising materials.
- Keep the original package.
- Read the safety measures and operating recommendations.
- Check the delivery set.
- Examine the unit for damages; if the unit is damaged, do not switch it on.
- Make sure the indicated Power Adapter voltage specifications correspond to the specifications of your mains. No additional setup is required when using the device with the mains operating on 60 Hz frequency.

ASSEMBLING THE VACUUM CLEANER

- Install the rechargeable battery (12) to the installation

place until the lock clicking.

Attaching the extension pipe

- Insert the extension pipe (9) into the vacuum cleaner air inlet until the clamp (8) clicking (pic.1).
- Attach the Power Brush (11) to the Extension Pipe (9) (Fig. 2).
- The Power Brush (11) can be attached to the Air Inlet of the Vacuum Cleaner.
- To detach the extension pipe (9) from the vacuum cleaner press and hold the clamp (8).
- To detach the electric brush (11) from the extension pipe (9) press and hold the clamp (10).

Electric brush

- Use the electric brush (11) for cleaning rooms with smooth floors or carpets with medium and low pile.

Notes:

- do not use the electric brush (11) if the pile length exceeds 15 mm.
- do not run the electric brush (11) over electric wires.

UNIVERSAL NOZZLE

- The Universal Nozzle (24) is intended for cleaning radiators, crevices, and so on; as well as for dedusting furniture surfaces. The fibers on the brush prevent damage to the polished furniture surfaces. When using the Vacuum Cleaner, install the Nozzle

(24) into the necessary position by pressing the Lock.

- You can attach the crevice nozzle (24) to the extension pipe (9) (pic. 3) or to the air inlet of the vacuum cleaner (pic. 4).

WALL-MOUNTED HOLDER OF THE VACUUM CLEANER

- Select the storage place for the vacuum cleaner/the battery charging. Place the wall-mounted holder (13) near the mains socket.
- Place the wall-mounted holder (13) so that the vacuum cleaner does not hang. The vacuum cleaner should rest on the electric brush (11).
- Make sure that no electric wiring or other utilities is inside the selected wall area before drilling orifices in it.
- Plug the Power Adapter (25) into the Wall Mount (13).
- Fasten the wall-mounted holder (13) with dowels and fastening screws (Fig. 5).

BATTERY CHARGING

ATTENTION!

- Use only the battery supplied with the unit. Using a non-original battery can be dangerous.
- Do not expose Li-ion batteries to impacts and high temperatures. Do not disassemble the battery to avoid the electrolyte leakage.

- Do not throw the battery into fire.
- Avoid the battery terminals circuit, it may cause burns or fire.
- Do not discard the battery with usual household waste, apply to a specialized center for further recycling.
- Before using the unit for the first time or after a long period of inactivity, charge the battery.

CHARGING THE DETACHED RECHARGEABLE BATTERY

- Plug the Power Adapter (25) jack into the Socket (20) on the Rechargeable Battery (12).
- Plug the Power Adapter (25) into the mains - the Light Indicator (19) will turn red; when the charge of the Rechargeable Battery (12) is full, the Light Indicator (19) will turn green (Fig. 6).
- Unplug the Power Adapter (25) from the mains once the Rechargeable Battery has been fully charged.
- Install the Power Adapter (25) connection cable jack into the Wall Mount (13) before securing it on the wall if you plan to always charge the Rechargeable Battery (12) from the Wall Mount (13) (See the «Wall Mount» section).
- Insert the Vacuum Cleaner into the Wall Mount (13), plug the Power Adapter (25) into an electric socket - the Charge Level Indicator (3) will turn on and start flashing; when the Rechargeable Battery (12) is fully charged the Indicator (3) is continuously lit (Fig. 7).

- Full charging of the rechargeable battery takes about 4-5 hours.
- After charging the battery disconnect the power adapter (25) from the mains.

Notes:

- charge the battery at the temperature from +5°C to +35°C.
- if you didn't use the vacuum cleaner for more than 2-3 months, fully charge the battery before using the vacuum cleaner.

USING THE VACUUM CLEANER

ATTENTION!

- If the suction power of the vacuum cleaner decreases rapidly while cleaning, switch it off immediately and check the extension pipe (9) for obstruction. Remove the obstruction and only then continue cleaning.
- Do not use the vacuum cleaner to collect burning or smoking cigarettes, cinders, plaster or concrete dust, flour or ashes.
- The vacuum cleaner is not intended for collecting water or other liquids.
- Do not use the vacuum cleaner in places where aerosols are used or sprayed, and in proximity to highly inflammable liquids, do not use the vacuum cleaner in the places where such liquids are stored.

SWITCHING THE VACUUM CLEANER ON

Attention! Only turn on the Vacuum Cleaner with the installed Dust Box (5) with the Mesh Filter (16) and HEPA Filter (17) installed into it.

- During cleaning or when carrying the vacuum cleaner hold the unit by the handle (1).
- For easy storing of the vacuum cleaner or the battery charging use the wall-mounted holder of the vacuum cleaner (13).
- Press the Power Button (15) to turn on the Vacuum Cleaner - the Vacuum Cleaner will turn on in the Low Suction Power Mode; press the Power Button (15) again to turn the Vacuum Cleaner off (Fig. 8).
- When using the Vacuum Cleaner, you can alternate between Suction Power Modes by pressing the Suction Power Setting Button (14).
- The Indicator (3) flashing during operation means that the Battery (12) needs to be charged.

CLEANING AND CARE

Attention!

Keep the Dust Box (5), Mesh Filter (16), and HEPA Filter (17) clean, the performance of the Vacuum Cleaner depends on it.

- For best results, clean the Dust Box (5) after each use of the Vacuum Cleaner; perform a periodic cleaning of

the Mesh Filter (16) and the HEPA Filter (17).

- To remove dust and garbage, position the Dust Box (5) over a garbage bin, press the Lock (6) (Fig. 9) and open the Cover (7), remove the dust and garbage, close the Cover (7) so that it would trigger the Lower Cover Lock (6).

Cleaning the Dust Box


- Remove any dust and garbage from the Dust Box (5), as indicated above, before cleaning.
- Press and hold down the Lock (4) to remove the Dust Box (5) (Fig. 10).
- Remove the Holder (18) from the Dust Box (5), detach the Mesh Filter (16) and the HEPA-Filter (17).
- Wash the Mesh Filter (16) and HEPA Filter (17) under a warm jet of running water and let them dry.
- Wash the dust bin flask (5) and dry.
- Do not wash all removable parts in a dishwashing machine.

Note: before assembling the dust bin (5) make sure that all removable parts are clean and dry.


Assembling of the dust bin

- Install the Mesh Filter (16) onto the HEPA Filter (17), and install them onto the Holder (18).
- Install the Holder (18) into the Dust Box (5) retort.
- Reinstall the assembled Dust Box (5) so that the Lock (4) produces a clicking sound; make sure that the Dust Box (5) is properly secured (Fig. 11).

Cleaning the electric brush

- When using the electric brush (11) threads or long hair etc. can wind up around the rotating brush (23). Keep the electric brush (11) clean, disassemble the brush (11) and clean the round brush (23) as it becomes dirty.
- Remove the electric brush (11) from the extension pipe (9) by pressing the release button (10).
- Turn over the Power Brush (11) while holding down the Lock (22), push the Stopper (21) towards the «  » symbol, remove the Lock (22), extract the Round Brush (23) (Fig. 12), remove any thread and hair wound-up onto the Round Brush (23).
- Clear the inner and outer surfaces of the Power Brush (11) body of any dust and garbage.

Power Brush Assembly

- Insert the right part of the Round Brush (23) all the way into the body of the Power Brush (11).
- Insert the left part of the Round Brush (23) into the body of the Brush (11), push the Stopper (21) towards the «  » symbol, reinstall the Lock (22), and release the Stopper (21).
- Make sure that the round brush is fixed properly.

Cleaning the vacuum cleaner body

- Wipe the vacuum cleaner body with a soft, slightly damp cloth and then wipe it dry.

- Never immerse the vacuum cleaner body, the electric brush (11) and the power adapter (25) into water or other liquids. Make sure that no liquid gets inside the vacuum cleaner body and the electric brush (11).
- Do not use solvents or abrasives for cleaning the vacuum cleaner body and the removable parts.

STORAGE

- Before taking the vacuum cleaner away for storage, clean the vacuum cleaner body, the dust bin (5) and the electric brush (11).
- Keep the vacuum cleaner in a dry cool place out of reach of children and disabled persons.

DISPOSING OF THE BATTERY

- Press the lock and remove the rechargeable battery (12) (Fig. 13). Do not throw out the battery with usual household waste, apply to a specialized center for further recycling.

Troubles and troubleshooting

Problem	Reasons	Solution
The vacuum cleaner cannot be switched on.	The battery is fully discharged.	Charge the battery.

<p>The suction power decreased.</p>	<p>The dust bin is full. The HEPA-filter is dirty. The extension pipe became obstructed. The round brush in the electric brush does not rotate. The battery is almost discharged.</p>	<p>Clean the dust bin. Clean the HEPA-filter. Remove the obstruction from the extension pipe. Clean the electric brush. Fully charge the battery.</p>
<p>The indicator does not light up when the Rechargeable Battery is charging.</p>	<p>No voltage in the electric socket. Power Adapter is not plugged in. The contact point of the jack with the charging socket is faulty.</p>	<p>Check whether the electric socket is operational by plugging in device known to be operational. Plug the Power Adapter into an electric socket. Check the connection between the Power Adapter Cable Jack Socket and the charger.</p>
<p>Short operation time of the vacuum cleaner.</p>	<p>The battery is not fully charged. Natural aging process of the battery.</p>	<p>Fully charge the battery. The rechargeable battery is a consumable material. After the warranty period expires, the consumer should buy a new battery.</p>

DELIVERY SET

1. Vacuum cleaner (with the dust bin) – 1 pc.
2. Wall-mounted holder - 1 pc.
3. Extension pipe – 1 pc.
4. Electric brush – 1 pc.
5. Universal Nozzle – 1 pc.
6. Power adapter – 1 pc.
7. Manual – 1 pc.

TECHNICAL SPECIFICATIONS

Vacuum cleaner:

- Rechargeable battery: 22.2 V, Li-Ion 2200 mA/h
- Rated input power: 120 W

Power adapter:

- Power supply: 100-240 V ~ 50/60 Hz
- Output voltage: 27 V 500 mA
- Dust bin capacity: 0.5 l.
- Operation time at low power is about 50 min.
- Operation time at maximal power is about 20 min.

RECYCLING



To prevent possible damage to the environment or harm to the health of people by uncontrolled waste disposal, after expiration of the service life of the unit or the batteries (if included), do not discard them with usual household waste, but take the

unit and the batteries to specialized stations for further recycling.

The waste generated during the recycling of the unit is subject to mandatory collection and consequent recycling in the prescribed manner.

For further information about recycling of this product, apply to the local municipal administration, a household waste recycling service or to the shop where you purchased this product.

The manufacturer reserves the right to change the appearance, design and specifications not affecting the general operation principles of the unit, without prior notice.

The unit operating life is 3 years

The manufacturing date is specified in the serial number.

In case of any malfunctions, promptly apply to the authorized service center.

STAUBSAUGER BR4267

**Drahtloser Handstaubsauger ist zum
Trockenaufräumen bestimmt.**

BESCHREIBUNG

1. Griff
2. Bedienungsplatte
3. Anzeige für die Akkumulatorenbatterieladung
4. Verriegelungstaste für Staubbehälter
5. Staubbehälter
6. Verriegelung der unteren Abdeckung
7. Untere Abdeckung des Staubbehälters
8. Obere Verriegelung des Verlängerungsrohrs/
Aufsatzes
9. Verlängerungsrohr
10. Untere Verriegelung des Verlängerungsrohrs/
Aufsatzes
11. Elektrische Bürste
12. Akkumulatorenbatterie
13. Wandmontierter Staubsaugerhalter
14. Taste zur Einstellung der Staubsaugerleistung
«niedrig-maximal»
15. Ein-/Ausschalttaste
16. Siebfilter
17. HEPA-Filter
18. HEPA-Filterhalter
19. Kontrolleuchte für die Batterieladung
20. Steckplatz für den Netzadapterstecker
21. Sperre der Rundbürsteverriegelung
22. Verriegelung der Rundbürste
23. Rundbürste
24. Universalaufsatz
25. Netzadapter

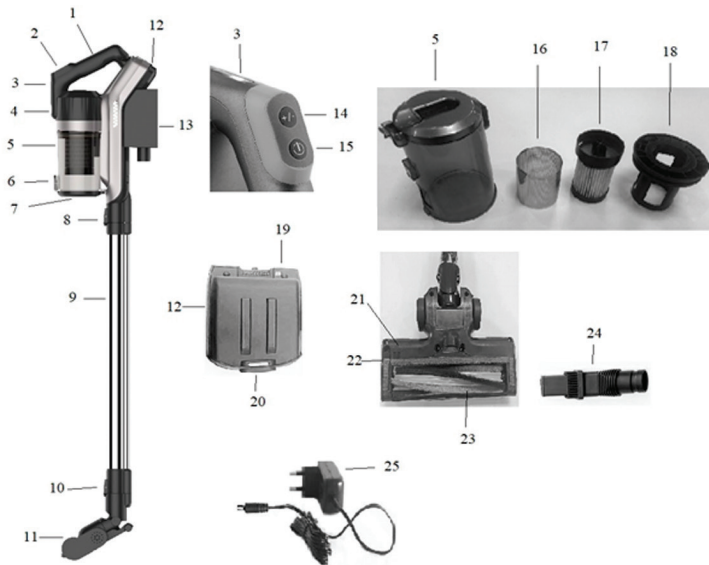




Abb. 1



Abb. 2



Abb. 3



Abb. 4



Abb. 5



Abb. 6



Abb. 7



Abb. 8



Abb. 9



Abb. 10



Abb. 11



Abb. 12



Abb. 13

SICHERHEITSHINWEISE UND BEDIENUNGSANLEITUNG

Bevor Sie den Staubsauger benutzen, lesen Sie die Bedienungsanleitung aufmerksam durch und bewahren Sie sie zum späteren Gebrauch auf.

- Benutzen Sie das Gerät nur bestimmungsmäßig und laut dieser Bedienungsanleitung.
- Missbrauch des Geräts kann zu seiner Störung führen, den Benutzer oder sein Eigentum beschädigen und ist kein Garantiefall.
- Stellen Sie sicher, dass die auf dem Etikett angegebene Betriebsspannung des Netzadapters mit der Netzspannung übereinstimmt.
- Berühren Sie das Netzadaptergehäuse beim Akkuaufladen mit nassen Händen nicht.
- Es ist empfohlen, den Akkumulator vor dem Staubsaugerbetrieb aufzuladen; wenn Sie den Staubsauger länger als drei Monate nicht benutzt haben, laden Sie den Akkumulator auf.
- Laden Sie den Akkumulator in den Räumen mit erhöhter Feuchtigkeit und Temperatur nicht auf. Laden Sie den Akkumulator bei der Temperatur von +5°C bis +35°C und relativer Luftfeuchtigkeit von nicht mehr als 80% auf.
- Lassen Sie den an die Steckdose angeschlossen Netzadapter nie unbeaufsichtigt
- Verwenden Sie den Staubsauger nicht, wenn der Staubbehälter nicht installiert oder falsch installiert ist, der Siebfilter und der HEPA-Filter nicht installiert sind.
- Benutzen Sie nur die mitgelieferten Teile und Aufsätze.
- Es ist nicht gestattet, den Staubsauger draußen zu benutzen.
- Schützen Sie das Gerät vor Stößen, Stürzen, Vibrationen und anderen mechanischen Einwirkungen.
- Benutzen Sie das Gerät in direkter Nähe von Heizgeräten, Wärmequellen oder offenem Feuer nicht.
- Der Staubsauger darf nicht an Orten, an denen Aerosole benutzt oder versprüht werden, und auch in keiner Nähe von brennbaren Flüssigkeiten verwendet werden; verwenden Sie den Staubsauger nicht an Orten, an denen solche Flüssigkeiten aufbewahrt werden.
- Der Staubsauger ist zum Saugen von Wasser oder anderen Flüssigkeiten ungeeignet.
- Es ist verboten, brennende oder rauchende Zigaretten und schwelende Asche zu saugen.
- Es ist verboten, Putz-, Beton-, Mehl- oder Aschenstaub zu saugen.
- Verwenden Sie keinen Staubsauger, um den Pelz der Haustiere zu reinigen.
- Achten Sie beim Raumreinigen darauf, dass sich keine freihängenden Kleidungsstücke, Haar oder andere Körperteile in der Nähe der Lufteinlassöffnungen der Bürsten- oder Aufsätze befinden.
- Seien Sie beim Aufräumen von Treppenabsätzen besonders vorsichtig.
- Bedecken Sie die Einlass- und Auslassöffnung des Staubsaugers mit keinen Fremdkörpern, schalten Sie den Staubsauger nicht ein, wenn eine seiner

Öffnungen versperrt ist.

- Verwenden Sie das Netzkabel als Griff zum Tragen des Staubsaugers nicht, sondern tragen Sie den Staubsauger am Tragegriff.
- Reinigen Sie den Staubbehälter und die Staubsaugerfilter regelmäßig.
- Schalten Sie den Staubsauger nach dem Gebrauch oder vor dem Reinigen mit der Ein-/Ausschalttaste aus und ziehen Sie den Netzstecker aus der Steckdose heraus.
- Reinigen Sie den Staubbehälter, den Siebfilter und den HEPA-Filter regelmäßig.
- Schalten Sie den Staubsauger nach Gebrauch oder vor der Reinigung mit der Ein-/Ausschalttaste aus.
- Aus Kindersicherheitsgründen lassen Sie die als Verpackung verwendeten Plastiktüten nie ohne Aufsicht.

Achtung! Lassen Sie Kinder mit Plastiktüten oder Verpackungsfolien nicht spielen. **Erstickungsgefahr!**

- Das Gerät ist nicht für Kinder bestimmt.
- Beaufsichtigen Sie Kinder, damit sie das Gerät als Spielzeug nicht benutzen.
- Lassen Sie Kinder das Netzadaptergehäuse beim Akkuaufladen nicht berühren
- Besondere Vorsichtsmaßnahmen sind in den Fällen angesagt, wenn sich Kinder oder behinderte Personen während des Gerätebetriebs in der Nähe aufhalten.
- Während des Betriebs und der Pausen zwischen

den Betriebszyklen stellen Sie das Gerät an einen für Kinder unzugänglichen Ort auf.

- Das Gerät ist für Personen (darunter Kinder) mit Körper-, Nerven- oder Geistesstörungen oder Personen ohne ausreichende Erfahrung und Kenntnisse nicht geeignet, wenn sie sich unter Aufsicht der Person, die für ihre Sicherheit verantwortlich ist, nicht befinden oder entsprechende Anweisungen über die Gerätenutzung nicht bekommen haben.
- Es ist nicht gestattet, das Gerät selbständig zu reparieren. Es ist nicht gestattet, das Gerät selbständig auseinanderzunehmen; bei der Feststellung jeglicher Beschädigungen, sowie im Sturzfall, trennen Sie das Gerät vom Stromnetz ab und wenden Sie sich an einen Kundendienst.
- Um Beschädigungen zu vermeiden, transportieren Sie das Gerät nur in der Fabrikverpackung.
- Bewahren Sie das Gerät an einem trockenen, kühlen und für Kinder und behinderte Personen unzugänglichen Ort auf.

DAS GERÄT IST NUR FÜR DEN GEBRAUCH IM HAUSHALT GEEIGNET, ES IST VERBOTEN, DAS GERÄT ZU INDUSTRIE- ODER LABORZWECKEN ZU BENUTZEN.

VOR DER ERSTEN NUTZUNG

Packen Sie das Gerät aus und warten Sie mindestens 3 Stunden, nachdem Sie es bei einer negativen

Temperatur transportiert oder bewahrt haben.

- Packen Sie den Staubsauger aus und entfernen Sie alle Verpackungs- und Werbematerialien.
- Bewahren Sie die Originalverpackung auf.
- Lesen Sie die Sicherheitsmaßnahmen und Bedienungsempfehlungen.
- Prüfen Sie die Komplettheit.
- Prüfen Sie das Gerät auf Beschädigungen; wenn es beschädigt ist, schalten Sie es nicht ein.
- Stellen Sie sicher, dass die angegebenen Versorgungsspannungsparameter des Netzadapters mit den Einstellungen für das Stromnetz übereinstimmen. Beim 60-Hz-Stromnetz-Gerätebetrieb sind keine zusätzlichen Maßnahmen erforderlich.

ZUSAMMENBAU DES STAUBSAUGERS

- Setzen Sie den Akkumulator (12) ein, bis die Verriegelung einrastet.

Ansetzen des Verlängerungsrohrs

- Setzen Sie das Verlängerungsrohr (9) in die Lufteintrittsöffnung des Staubsaugers, bis die Verriegelung (8) einrastet, ein (add 1).
- Schließen Sie die elektrische Bürste (11) an das Verlängerungsrohr (9) an (Abb. 2).
- Die elektrische Bürste (11) kann an die Lufteinlassöffnung des Staubsaugers angeschlossen werden.
- Um das Verlängerungsrohr (9) vom Staubsauger

abzutrennen, halten Sie die Verriegelungstaste (8) gedrückt.

- Um die Elektrobürste (11) vom Verlängerungsrohr (9) abzutrennen, halten Sie die Verriegelungstaste (10) gedrückt.

Elektrobürste

- Verwenden Sie die Elektrobürste (11) für glatte Böden oder Mittel- und Kurzflorteppeiche.

Anmerkungen:

- es ist verboten, die Elektrobürste (11) für Teppiche mit Flor länger als 15 mm zu verwenden.
- führen Sie die Elektrobürste (11) über keine elektrischen Leitungen.

Universalaufsatz

- Der Universalaufsatz (24) dient zur Reinigung von Heizkörpern, Spalten usw. und zum Sammeln von Staub von der Möbeloberfläche, das Vorhandensein von Fusseln auf der Bürste verhindert eine Beschädigung der polierten Möbeloberfläche. Bringen Sie den Aufsatz (24) während der Reinigung in die gewünschte Position, indem Sie die Verriegelung drücken.
- Die Fugendüse (24) kann ans Verlängerungsrohr (9) (Abb. 3) oder an die Lufteintrittsöffnung des Staubsaugers angeschlossen werden (Abb. 4).

STAUBSAUGERWANDHALTERUNG

- Bestimmen Sie den Platz für Staubsaugeraufbewahrung/Akkuaufladung. Die Wandhalterung (13) muss sich in der Nähe einer Steckdose befinden.
- Befestigen Sie die Wandhalterung (13) so, dass der Staubsauger nicht vollständig herabhängt, der Staubsauger muss sich auf die Elektrobürste (11) stützen.
- Bevor Sie Löcher in die Wand bohren, stellen Sie sicher, dass an dieser Stelle keine elektrische Verkabelung oder andere Kommunikation vorhanden ist.
- Stecken Sie den Stecker des Anschlusskabels des Netzadapters (25) in den wandmontierten Staubsaugerhalter (13).
- Befestigen Sie die Wandhalterung (13) mit Dübeln und Befestigungsschrauben.

AKKUAUFLADEN

ACHTUNG!

- Verwenden Sie nur den mitgelieferten Akkumulator; Verwendung von nicht originale Akkumulator ist gefährlich.
- Es ist verboten, Lithium-Ionen-Akkumulatoren Stößen und hohen Temperaturen auszusetzen; um ein Elektrolytauslauf zu vermeiden, nehmen Sie den Akkumulator nicht auseinander.

- Werfen Sie den Akkumulator ins Feuer nicht.
- Lassen Sie die Akkukontakte nicht kurzschließen, da dies zu Verbrennungen oder Brand führen kann.
- Entsorgen Sie den Akkumulator zusammen mit gewöhnlichen Haushaltsabfällen nicht, geben Sie diesen in einen Spezialpunkt für weitere Verwertung über.
- Vor der ersten Gerätenutzung oder nach einer dauernden Betriebspause laden Sie den Akkumulator auf.

Laden der ausgebauten Akkumulatorenbatterie

- Stecken Sie den Stecker des Netzadapterkabels (25) in den Steckplatz (20) an der Akkumulatorenbatterie (12).
- Stecken Sie den Netzadapter (25) in eine Steckdose, und die Kontrollleuchte (19) leuchtet rot, wenn die Akkumulatorenbatterie (12) vollständig aufgeladen ist, leuchtet die Kontrollleuchte (19) grün (Abb. 6).
- Ziehen Sie nach dem Laden der Akkumulatorenbatterie den Netzadapter (25) aus der Steckdose.
- Wenn Sie den wandmontierten Staubsaugerhalter (13) ständig zum Laden der Akkumulatorenbatterie (12) verwenden, stecken Sie vor dem Anbringen den Halter (13) an der Wand den Stecker des Anschlusskabels des Netzadapters (25) hinein.
- Stecken Sie den Staubsauger in die wandmontierten Staubsaugerhalter (13), stecken Sie den Netzadapter (25) in eine Steckdose, dabei blinkt die Anzeige (3),

wenn die Akkumulatorenbatterie (12) vollständig geladen ist, leuchtet die Anzeige (3) beständig (Abb. 7).

- Die Akkuvollauf Ladungszeit beträgt ungefähr 4-5 Stunden.
- Ziehen Sie den Netzadapter (25) nach dem Akkuauf laden aus der Steckdose heraus.

Anmerkungen:

- laden Sie den Akkumulator bei der Temperatur von +5°C bis +35°C auf.
- wenn Sie den Staubsauger länger als zwei oder drei Monate nicht benutzt haben, laden Sie den Akkumulator vor der Nutzung vollständig auf.

NUTZUNG DES STAUBSAUGERS

ACHTUNG!

- Wenn die Saugleistung des Staubsaugers während des Aufräumens stark abnimmt, schalten Sie den Staubsauger sofort aus und überprüfen Sie das Verlängerungsrohr (9) auf Verstopfung. Entfernen Sie die Verstopfung, erst dann können Sie das Aufräumen fortsetzen.
- Es ist verboten, brennende oder rauchende Zigaretten, schwelende Asche, sowie Putz-, Beton-, Mehl- oder Aschenstaub zu saugen.
- Der Staubsauger ist zum Saugen von Wasser oder

jeglichen anderen Flüssigkeiten ungeeignet.

- Der Staubsauger darf an keinen Orten, an denen Aerosole benutzt oder versprüht werden, und auch in keiner Nähe von leichtentzündbaren Flüssigkeiten verwendet werden; verwenden Sie den Staubsauger an keinen Orten, an denen solche Flüssigkeiten aufbewahrt werden.

EINSCHALTUNG DES STAUBSAUGERS

Achtung! Schalten Sie den Staubsauger nur mit dem eingebauten Staubbehälter (5) und dem darin installierten Siebfilter (16) und dem HEPA-filter (17) ein.

- Wenn Sie den Raum reinigen und den Staubsauger umtragen, halten Sie ihn am Griff (1).
- Verwenden Sie den Staubsaugerwandhalterung (13) zum bequemen Aufbewahren des Staubsaugers oder zum Aufladen des Akkumulators.
- Um den Staubsauger einzuschalten, drücken Sie die Ein-/Ausschalttaste (15), der Staubsauger schaltet sich bei niedriger Leistung ein, um den Staubsauger auszuschalten, drücken Sie die Taste (15) erneut (Abb. 8).
- Die Leistung des Staubsaugers wird während des Betriebs durch Drücken der Taste (14) eingestellt.
- Wenn die Anzeige (3) während des Betriebs blinkt, muss die Akkumulatorenbatterie (12) aufgeladen werden.

REINIGUNG UND PFLEGE

Achtung!

Achten Sie darauf, dass der Staubbehälter (5), der Siebfilter (16) und der HEPA-Filter (17) sauber sind, da die Effizienz des Staubsaugers davon abhängt.

- Es wird empfohlen, den Staubbehälter (5) nach jedem Gebrauch des Staubsaugers zu reinigen, den Siebfilter (16) und den HEPA-Filter (17) regelmäßig zu reinigen.
- Um Staub und Schmutz zu entfernen, stellen Sie den Staubbehälter (5) über den Mülleimer, drücken Sie die Verriegelung (6) (Abb. 9) und öffnen Sie die Abdeckung (7), entfernen Sie Staub und Schmutz, schließen die Abdeckung (7), bis die Verriegelung (6) einrastet.

Reinigung des Staubbehälters

- Vor dem Reinigen des Staubbehälters (5) entfernen Sie Staub und Schmutz wie oben beschrieben ist.
- Um den Staubbehälter (5) zu entfernen, drücken und halten Sie die Verriegelung (4) (Abb. 10).
- Nehmen Sie den Halter (18) aus Staubbehälter (5) heraus, entfernen Sie den Siebfilter (16) und HEPA-Filter (17).
- Spülen Sie den Siebfilter (16) und HEPA-Filter (17) unter fließendem warmem Wasser und trocknen Sie sie ab.
- Spülen Sie den Kolben des Staubbehälters (5) durch und trocknen Sie ihn ab.
- Verwenden Sie keine Geschirrspülmaschine zum


Spülen aller abnehmbaren Teile.

Anmerkung: vergewissern Sie sich vor dem Zusammenbau des Staubbehälters (5), dass alle abnehmbaren Teile sauber und trocken sind.

Zusammenbau des Staubbehälters

- Installieren Sie den Siebfilter (16) auf dem HEPA-Filter (17) und setzen Sie sie auf dem Halter (18).
- Installieren Sie den Halter (18) im Kolben des Staubbehälters (5).
- Setzen Sie den zusammengebauten Staubbehälter (5) wieder ein, bis die Verriegelung (4) einrastet, und achten Sie darauf, dass der Staubbehälter (5) sicher einrastet ist (Abb.11).


Reinigung der Elektrobürste

- Während der Verwendung der Elektrobürste (11) kann Haar, Fäden usw. auf die drehende Bürste gewickelt werden. Halten Sie die Elektrobürste (11) sauber, nehmen Sie die Bürste (11) auseinander, wenn sie verschmutzt ist, und reinigen Sie die Rundbürste.
- Nehmen Sie die Elektrobürste (11) vom Verlängerungsrohr (8) ab, indem Sie die Verriegelung (10) drücken.
- Drehen Sie die Bürste (11) um, während Sie die Verriegelung (22) festhalten, drücken Sie die Sperre (21) in Richtung des Symbols «», entfernen Sie die Verriegelung (22), nehmen Sie die Rundbürste (23) heraus (Abb. 12), entfernen Sie die auf die Bürste

(23) gewundenen Fäden und Haare.

- Reinigen Sie die inneren und äußeren Oberflächen des Gehäuses der elektrischen Bürste (11) von Staub und Schmutz.

Montage der elektrischen Bürste

- Stecken Sie die rechte Seite der Rundbürste (23) bis zum Anschlag in das Bürstengehäuse (11).
- Setzen Sie die linke Seite der Rundbürste (23) in das Bürstengehäuse (11) ein, drücken Sie die Sperre (21) in Richtung des Symbols «», stellen Sie die Verriegelung (22) zurück auf und lösen Sie die Verriegelung (21).
- Vergewissern Sie sich, dass die Rundbürste sicher befestigt ist.

Reinigung des Staubsaugergehäuses

- Wischen Sie das Staubsaugergehäuse mit einem weichen, leicht angefeuchteten Tuch, danach trocknen Sie es ab.
- Tauchen Sie das Staubsaugergehäuse, die Elektrobürste (11) und den Netzadapter (25) ins Wasser oder jegliche andere Flüssigkeiten nicht ein. Lassen Sie keine Flüssigkeit ins Staubsaugergehäuse und die Elektrobürste (11) gelangen.
- Verwenden Sie keine Lösungs- oder Scheuermittel zur Reinigung des Staubsaugergehäuses und aller Teile.

AUFBEWAHRUNG

- Reinigen Sie das Staubsaugergehäuse, den Staubbehälter(5) und die Elektrobürste (11) vor dem Aufbewahren des Staubsaugers.
- Bewahren Sie den Staubsauger an einem trockenen, kühlen und für Kinder und behinderte Personen unzugänglichen Ort auf.

AKKUENTSORGUNG

- Drücken Sie die Verriegelung und entfernen Sie den Akkumulator (12), entsorgen Sie den Akkumulator zusammen mit gewöhnlichen Haushaltsabfällen nicht, geben Sie diesen in einen Spezialpunkt (12) für weitere Verwertung über.

Mögliche Störungen und Abhilfe

Störung	Ursachen	Abhilfe
Der Staubsauger schaltet sich nicht ein.	Der Akkumulator ist vollständig entladen.	Laden Sie den Akkumulator auf.

<p>Verminderte Saugleistung.</p>	<p>Der Staubbehälter ist voll.</p> <p>Die Filtereinheit ist verschmutzt.</p> <p>Das Verlängerungsrohr ist verstopft.</p> <p>Die Rundbürste in der Elektrobürste dreht sich nicht.</p> <p>Der Akkumulator ist sehr entladen.</p>	<p>Reinigen Sie den Staubbehälter.</p> <p>Reinigen Sie die Filtereinheit.</p> <p>Entstopfen Sie das Verlängerungsrohr.</p> <p>Reinigen Sie die Elektrobürste.</p> <p>Laden Sie den Akkumulator vollständig auf.</p>
<p>Bei der Batterieaufladung beginnt die Kontrollleuchte nicht zu leuchten.</p>	<p>Die elektrische Steckdose hat keine Spannung.</p> <p>Der Netzadapter ist nicht in die elektrische Steckdose gesteckt.</p> <p>Der Stecker des Netzadapterkabels hat einen unterbrochenen Kontakt mit der Ladesteckdose</p>	<p>Überprüfen Sie die Steckdose, indem Sie ein wesentlich funktionierendes Gerät darin stecken.</p> <p>Stecken Sie den Netzadapter in die elektrische Steckdose.</p> <p>Überprüfen Sie die Verbindung des Steckers des Netzadapterkabels vom Ladegerät.</p>
<p>Kurze Staubsaugerbetriebszeit</p>	<p>Unvollständige Akkuladung.</p> <p>Natürliche Akkualterung.</p>	<p>Laden Sie den Akkumulator vollständig auf.</p> <p>Der Akkumulator ist ein Verbrauchselement, das nach dem Garantiezeitablauf vom Verbraucher unabhängig gekauft wird.</p>

LIEFERUMFANG

1. Staubsauger (mit eingestelltem Staubbehälter) – 1Stk.
2. Staubsaugerwandhalterung – 1Stk.
3. Verlängerungsrohr – 1Stk.
4. Elektrobürste – 1Stk.
5. Universalaufsatz – 1 Stk.
6. Netzadapter – 1 Stk.
7. Bedienungsanleitung– 1Stk.

TECHNISCHE EIGENSCHAFTEN

Staubsauger:

- Akkumulator: 22,2 V, Li-Ion 2200 mAh
- Nennleistungsaufnahme: 120 W

Netzadapter:

- Stromversorgung: 100-240 V ~ 50/60 Hz
- Ausgangsspannung: 27 V 500 mA
- Fassungsvermögen des Staubbehälters: 0.5 l.
- Kleinleistungsbetrieb – ca. 50 min.
- Maximalleistungsbetrieb – ca. 20 min.

ENTSORGUNG



Um mögliches Schaden für die Umwelt oder die menschliche Gesundheit durch unkontrollierte Abfallentsorgung zu vermeiden, werfen Sie das Gerät und die Batterien (falls mitgeliefert) nach

Beendigung ihrer Nutzungsdauer zusammen mit gewöhnlichen Haushaltsabfällen nicht weg, geben Sie das Gerät und die Batterien in Spezialstellen für weitere Entsorgung über.

Die bei der Entsorgung der Erzeugnisse entstehenden Abfälle sind unbedingt zu sammeln und weiter ordnungsmäßig zu entsorgen.

Mehrere Information zur Entsorgung dieses Produkts erhalten Sie bei Ihrer lokalen Stadtverwaltung, einem Abfallentsorgungsdienst oder beim Geschäft, wo Sie dieses Produkt gekauft haben.

Der Hersteller behält sich das Recht vor, das Design, die Konstruktion und die das gemeine Gerätebetriebsprinzip nicht beeinflussenden technischen Eigenschaften ohne Vorbenachrichtigung zu verändern.

Die Gerätenutzungsdauer beträgt 3 Jahre

Das Herstellungsdatum ist in der Fabrikationsnummer angegeben.

Bei Störungsfeststellung wenden Sie sich baldigst an einen autorisierten Kundendienst.

ПЫЛЕСОС BR4267

Беспроводной ручной пылесос предназначен для сухой уборки помещений.

ОПИСАНИЕ

1. Ручка
2. Панель управления
3. Индикация зарядки аккумуляторной батареи
4. Кнопка фиксатора контейнера-пылесборника
5. Контейнер-пылесборник
6. Фиксатор нижней крышки
7. Нижняя крышка контейнера-пылесборника
8. Верхний фиксатор удлинительной трубки/насадки
9. Удлинительная трубка
10. Нижний фиксатор удлинительной трубки/насадки
11. Электрическая щётка
12. Аккумуляторная батарея
13. Настенный держатель пылесоса
14. Кнопка установки мощности пылесоса «низкая-максимальная»
15. Кнопка включения/выключения
16. Сетчатый фильтр
17. HEPA-фильтр
18. Держатель HEPA-фильтра
19. Световой индикатор зарядки аккумуляторной батареи
20. Гнездо для подключения штекера сетевого адаптера
21. Блокиратор фиксатора круглой щётки
22. Фиксатор круглой щётки
23. Круглая щётка
24. Универсальная насадка
25. Сетевой адаптер

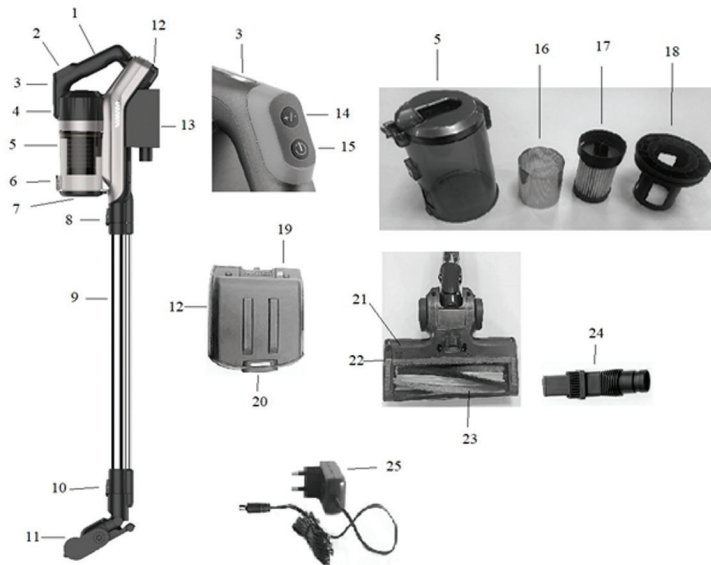




Рис. 1



Рис. 2



Рис. 3



Рис. 4



Рис. 5



Рис. 6



Рис. 7



Рис. 8



Рис. 9



Рис. 10



Рис. 11



Рис. 12



Рис. 13

МЕРЫ БЕЗОПАСНОСТИ И РЕКОМЕНДАЦИИ ПО ЭКСПЛУАТАЦИИ

Перед использованием пылесоса внимательно ознакомьтесь с руководством по эксплуатации, после прочтения сохраните его для использования в будущем.

- Используйте устройство только по его прямому назначению, как изложено в данной инструкции.
- Неправильное обращение с устройством может привести к его поломке, причинению вреда пользователю или его имуществу и не является гарантийным случаем.
- Убедитесь, что рабочее напряжение сетевого адаптера, указанное на этикетке, соответствует напряжению электросети.
- Во время зарядки аккумуляторной батареи, не прикасайтесь к корпусу сетевого адаптера мокрыми руками.
- Перед использованием пылесоса рекомендуется провести зарядку аккумуляторной батареи, если Вы не использовали пылесос более трёх месяцев, зарядите аккумуляторную батарею.
- Не заряжайте аккумуляторную батарею в местах с повышенной влажностью и высокой температурой. Производите зарядку аккумуляторной батареи при температуре от +5°C до +35°C и при относительной влажности воздуха не более 80%.
- Не оставляйте сетевой адаптер без присмотра, если он включён в электрическую розетку.
- Запрещается использовать пылесос, если не установлен или неправильно установлен контейнер-пылесборник, не установлены сетчатый фильтр и HEPA-фильтр.
- Используйте только детали и насадки, которые входят в комплект поставки.
- Запрещается использовать пылесос вне помещений.
- Оберегайте устройство от ударов, падений, вибраций и иных механических воздействий.
- Не используйте устройство в непосредственной близости от нагревательных приборов, источников тепла или открытого пламени.
- Запрещается использовать пылесос в местах, где используются или распыляются аэрозоли, а также вблизи от легковоспламеняющихся жидкостей, запрещается использовать пылесос в местах хранения таких жидкостей.
- Пылесос не предназначен для сбора воды или любых других жидкостей.
- Запрещается собирать горячие или дымящиеся сигареты, тлеющий пепел.
- Запрещается собирать пыль от штукатурки, бетона, муки или золы.
- Не используйте пылесос для чистки шерсти домашних животных.
- Во время уборки помещения следите за тем, чтобы свободно висящие элементы одежды, волосы или другие части тела не находились рядом с воздухозаборным отверстием щётки или насадок.

- Будьте особенно внимательны при уборке лестничных площадок.
- Запрещается закрывать входное и выходное отверстие пылесоса посторонними предметами, не включайте пылесос, если какое-либо из его отверстий заблокировано.
- Запрещается использовать шнур сетевого адаптера в качестве ручки для переноски пылесоса, переносите пылесос, взявшись за ручку.
- Проводите регулярную чистку контейнера-пылесборника, сепаратора и HEPA-фильтра.
- После использования или перед чисткой выключите пылесос кнопкой включения/выключения.
- Из соображений безопасности детей не оставляйте полиэтиленовые пакеты, используемые в качестве упаковки, без надзора.

Внимание! Не разрешайте детям играть с полиэтиленовыми пакетами или упаковочной плёнкой.
Опасность душья!

- Устройство не предназначено для использования детьми.
- Осуществляйте надзор за детьми, чтобы не допустить использования устройства в качестве игрушки.
- Во время зарядки аккумуляторной батареи, не разрешайте детям прикасаться к корпусу сетевого адаптера.
- Будьте особенно внимательны, если поблизости от

работающего устройства находятся дети или лица с ограниченными возможностями.

- Во время работы и в перерывах между рабочими циклами размещайте устройство в местах, недоступных для детей.
- Прибор не предназначен для использования лицами (включая детей) с пониженными физическими, сенсорными, психическими или умственными способностями, или при отсутствии у них опыта или знаний, если они не находятся под контролем или не проинструктированы лицом, ответственным за их безопасность, об использовании прибора.
- Запрещается самостоятельно ремонтировать устройство. Не разбирайте устройство самостоятельно, при возникновении любых неисправностей, а также после падения устройства обратитесь в сервисный центр.
- Во избежание повреждений перевозите устройство в заводской упаковке.
- Храните устройство в сухом прохладном месте, недоступном для детей и людей с ограниченными возможностями.

УСТРОЙСТВО ПРЕДНАЗНАЧЕНО ТОЛЬКО ДЛЯ БЫТОВОГО ИСПОЛЬЗОВАНИЯ, ЗАПРЕЩАЕТСЯ ИСПОЛЬЗОВАТЬ УСТРОЙСТВО В КОММЕРЧЕСКИХ ИЛИ ЛАБОРАТОРНЫХ ЦЕЛЯХ.

ПЕРЕД ПЕРВЫМ ИСПОЛЬЗОВАНИЕМ

После транспортировки или хранения устройства при отрицательной температуре, распакуйте его и подождите не менее 3 часов перед использованием.

- Распакуйте пылесос, удалите все упаковочные и рекламные материалы.
- Сохраните заводскую упаковку.
- Ознакомьтесь с мерами безопасности и рекомендациями по эксплуатации.
- Проверьте комплектацию.
- Осмотрите устройство на наличие повреждений, при наличии повреждений не включайте его.
- Убедитесь, что указанные параметры напряжения питания сетевого адаптера соответствуют параметрам электрической сети. При использовании устройства в электрической сети частотой 60 Гц, никаких дополнительных действий не требуется.

СБОРКА ПЫЛЕСОСА

- Установите аккумуляторную батарею (12) до щелчка фиксатора.

Подсоединение удлинительной трубки

- Вставьте удлинительную трубку (9) в воздухозаборное отверстие пылесоса до щелчка фиксатора (8) (рис. 1).
- Электрическую щётку (11) подсоедините к удлинительной трубке (9) (рис. 2).

- Можно подсоединять электрическую щётку (11) к воздухозаборному отверстию пылесоса.
- Для отсоединения удлинительной трубки (9) от пылесоса, нажмите и удерживайте кнопку фиксатора (8).
- Для отсоединения электрической щётки (11) от удлинительной трубки (9), нажмите и удерживайте кнопку фиксатора (10).

Электрическая щётка

- Используйте электрическую щётку (11) для уборки помещений с гладкими полами или на ковровых покрытиях со средним и коротким ворсом.

Примечания:

- запрещается использовать электрическую щётку (11), если длина ворса ковровых покрытий более 15 мм.
- не проводите электрической щёткой (11) по электрическим проводам.

Универсальная насадка

- Универсальная насадка (24) предназначена для чистки радиаторов, щелей и т.п. и для сбора пыли с поверхности мебели, наличие ворса на щётке препятствует повреждению полированной поверхности мебели. Во время уборки установите насадку (24) в необходимое положение, нажав на фиксатор.

- Насадку (24) можно подсоединять к удлинительной трубке (9) (рис. 3) или к воздухозаборному отверстию пылесоса (рис. 4).

НАСТЕННЫЙ ДЕРЖАТЕЛЬ ПЫЛЕСОСА

- Определитесь с местом для хранения пылесоса/зарядки аккумуляторной батареи. Электрическая розетка должна быть вблизи с настенным держателем (13).
- Расположите настенный держатель (13), так, чтобы исключить полное свисание пылесоса, пылесос должен опираться на электрическую щётку (11)
- Прежде чем сверлить отверстия в стене, убедитесь, что в этом месте отсутствует электрическая проводка или любые другие коммуникации.
- Вставьте в настенный держатель (13) штекер соединительного шнура сетевого адаптера (25).
- Закрепите настенный держатель (13) с помощью дюбелей и крепёжных шурупов (рис. 5).

ЗАРЯДКА АККУМУЛЯТОРНОЙ БАТАРЕИ

ВНИМАНИЕ!

– Используйте только аккумуляторную батарею, входящую в комплект поставки, использование неоригинальной аккумуляторной батареи может привести к опасности.

– Литий-ионные аккумуляторные батареи запрещается подвергать ударам, воздействию высоких темпера-

тур, во избежание вытекания электролита, запрещается разбирать аккумуляторную батарею.

– Запрещается бросать аккумуляторную батарею в огонь.

– Не допускайте замыкания контактов аккумуляторной батареи, это может привести к ожогу или пожару.

– Не выбрасывайте аккумуляторную батарею вместе с обычными бытовыми отходами, передайте её в специализированный пункт для дальнейшей утилизации.

- Перед первым использованием устройства или после длительного перерыва в его эксплуатации необходима зарядка аккумуляторной батареи.

Зарядка снятой аккумуляторной батареи

- Вставьте штекер шнура сетевого адаптера (25) в гнездо (20) на аккумуляторной батарее (12).
- Вставьте сетевой адаптер (25) в электрическую розетку, при этом световой индикатор (19) загорится красным цветом, при полной зарядке аккумуляторной батареи (12), индикатор (19) будет светиться зелёным цветом (рис. 6).
- После зарядки аккумуляторной батареи, выньте сетевой адаптер (25) из электрической розетки.
- Если вы будете постоянно использовать настенный держатель пылесоса (13) для зарядки аккумуляторной батареи (12), то перед тем, как закрепить держатель (13) на стене, установите в него штекер соединительного шнура сетевого адаптера (25).

- Вставьте пылесос в настенный держатель (13), вставьте сетевой адаптер (25) в электрическую розетку, при этом индикатор (3) будет мигать, при полной зарядке аккумуляторной батареи (12), индикатор (3) будет светиться постоянно (рис. 7).
- Время полной зарядки аккумуляторной батареи около 4-5 часов.
- После зарядки аккумуляторной батареи, выньте сетевой адаптер (25) из электрической розетки.

Примечания:

- производите зарядку аккумуляторной батареи при температуре от +5°C до +35°C.
- если вы не пользовались пылесосом более двух или трёх месяцев, перед использованием пылесоса полностью зарядите аккумуляторную батарею.

ИСПОЛЬЗОВАНИЕ ПЫЛЕСОСА

ВНИМАНИЕ!

- Если во время уборки резко снизилась всасывающая мощность пылесоса, немедленно выключите пылесос и проверьте удлинительную трубку (9) на предмет засорения. Устраните засор, и только после этого можно продолжать уборку.
- Запрещается собирать горячие или дымящиеся сигареты, тлеющий пепел, запрещается собирать пыль от штукатурки, бетона, муки или золы.

– Пылесос не предназначен для сбора воды или любых других жидкостей.

– Запрещается использовать пылесос в местах, где используются или распыляются аэрозоли, а также вблизи от легковоспламеняющихся жидкостей, запрещается использовать пылесос в местах хранения таких жидкостей.

ВКЛЮЧЕНИЕ ПЫЛЕСОСА

Внимание! Включайте пылесос только с установленными контейнером-пылесборником (5) и установленным в нём сетчатым фильтром (16) и НЕРА-фильтром (17).

- Во время уборки помещения и переноски пылесоса держите его за ручку (1).
- Для удобства при хранении пылесоса или зарядки аккумуляторной батареи используйте настенный держатель (13).
- Для включения пылесоса нажмите кнопку включения/выключения (15), пылесос включится на низком уровне мощности, для выключения пылесоса, нажмите кнопку (15) ещё раз (рис.8).
- Установка мощности пылесоса, во время его работы, производится нажатием кнопки (14).
- Если во время работы индикатор (3) будет мигать, в этом случае необходимо зарядить аккумуляторную батарею (12).

ЧИСТКА И УХОД

Внимание!

Следите за чистотой контейнера-пылесборника (5), сетчатого фильтра (16) и HEPA-фильтра (17), от этого зависит эффективность работы пылесоса.

- Рекомендуется производить чистку контейнера-пылесборника (5) после каждого использования пылесоса, регулярно проводите чистку сетчатого фильтра (16) и HEPA-фильтра (17).
- Для удаления пыли и мусора расположите контейнер-пылесборник (5) над мусорным ведром, нажмите на фиксатор (6) (рис. 9) и откройте крышку (7), удалите пыль и мусор, закройте крышку (7) до срабатывания фиксатора (6).

Чистка контейнера-пылесборника

- Перед чисткой контейнера-пылесборника (5) удалите из него пыль и мусор, как указано выше.
- Для снятия контейнера-пылесборника (5), нажмите и удерживайте фиксатор (4) (рис. 10).
- Выньте держатель (18) из контейнера пылесборника (5), снимите сетчатый фильтр (16) и HEPA-фильтр (17).
- Промойте сетчатый фильтр (16) и HEPA-фильтр (17) под струёй тёплой проточной воды и просушите их.
- Промойте колбу контейнера-пылесборника (5) и

просушите её.


- Не используйте для промывки всех съёмных деталей посудомоечную машину.

Примечание: перед сборкой контейнера-пылесборника (5) убедитесь, что все съёмные детали чистые и сухие.

Сборка контейнера-пылесборника


- Установите сетчатый фильтр (16) на HEPA-фильтр (17), и установите их на держатель (18).
- Установите держатель (18) в колбу контейнера-пылесборника (5).
- Установите собранный контейнер-пылесборник (5) на место до щелчка фиксатора (4), убедитесь в надёжной фиксации контейнера-пылесборника (5) (рис.11).

Чистка электрической щётки

- Во время использования электрической щётки (11), на вращающуюся щётку (23) могут намотаться волосы, нитки и т.п. Следите за чистотой электрической щётки (11), по мере загрязнения разбирайте щётку (11) и очищайте круглую щётку (23).
- Снимите электрическую щётку (11) с удлинительной трубки (9), нажав на фиксатор (10).
- Переверните щётку (11), придерживая фиксатор (22), нажмите на блокиратор (21) в сторону символа «», снимите фиксатор (22), выньте круглую щётку (23) (рис. 12), удалите намотавшиеся на щётку

- (23) нити и волосы.
- Очистите от пыли и мусора внутреннюю и внешнюю поверхности корпуса электрической щётки (11).

Сборка электрической щётки

- Вставьте правую часть круглой щётки (23) в корпус щётки (11) до упора.
- Вставьте левую часть круглой щётки (23) в корпус щётки (11), нажмите на блокиратор (21) в сторону символа «», установите на место фиксатор (22) и отпустите блокиратор (21).
- Убедитесь в надёжной фиксации круглой щётки.

Чистка корпуса пылесоса

- Протрите корпус пылесоса слегка влажной, мягкой тканью, после чего вытрите насухо.
- Запрещается погружать корпус пылесоса, электрическую щётку (11) и сетевой адаптер (25) в воду или любые другие жидкости. Не допускайте попадания жидкости внутрь корпуса пылесоса и электрической щётки (11).
- Для чистки корпуса пылесоса и всех деталей запрещается использовать растворители и абразивные чистящие средства.

ХРАНЕНИЕ

- Прежде чем убрать пылесос на хранение, проведите чистку корпуса пылесоса, контейнера-пылесборника (5) и электрической щётки (11).

- Храните пылесос в сухом прохладном месте, недоступном для детей и людей с ограниченными возможностями.

УТИЛИЗАЦИЯ АККУМУЛЯТОРНОЙ БАТАРЕИ

- Нажмите на фиксатор и снимите аккумуляторную батарею (12) (рис.13), не выбрасывайте аккумуляторную батарею (12) вместе с обычными бытовыми отходами, передайте её в специализированный пункт для дальнейшей утилизации.

Возможные неисправности и способы их устранения

Неисправность	Причины	Устранение
Пылесос не включается.	Аккумуляторная батарея полностью разряжена.	Зарядите аккумуляторную батарею.
Уменьшилась мощность всасывания.	<p>Заполнен контейнер-пылесборник.</p> <p>Загрязнён HEPA-фильтр.</p> <p>Засор удлинительной трубки.</p> <p>Не вращается круглая щётка в электрической щётке.</p> <p>Аккумуляторная батарея сильно разряжена.</p>	<p>Очистите контейнер-пылесборник.</p> <p>Очистите HEPA-фильтр.</p> <p>Устраните засор в удлинительной трубке.</p> <p>Проведите чистку электрической щётки.</p> <p>Полностью зарядите аккумуляторную батарею.</p>

<p>При зарядке аккумуляторной батареи индикатор не загорается.</p>	<p>В электрической розетке отсутствует напряжение.</p> <p>Сетевой адаптер не вставлен в электрическую розетку.</p> <p>Нарушился контакт штекера шнура сетевого адаптера с гнездом зарядки.</p>	<p>Проверьте электрическую розетку, включив в неё заведомо исправное устройство.</p> <p>Вставьте сетевой адаптер в электрическую розетку.</p> <p>Проверьте соединение штекера шнура сетевого адаптера с гнездом зарядки.</p>
<p>Малое время работы пылесоса.</p>	<p>Неполный заряд аккумуляторной батареи.</p> <p>Естественный процесс старения аккумуляторной батареи.</p>	<p>Полностью зарядите аккумуляторную батарею.</p> <p>Аккумуляторная батарея является расходным элементом, после истечения гарантийного срока, приобретается потребителем самостоятельно.</p>

КОМПЛЕКТ ПОСТАВКИ

1. Пылесос (с контейнером-пылесборником) – 1 шт.
2. Настенный держатель пылесоса – 1 шт.
3. Удлинительная трубка – 1 шт.
4. Электрическая щётка – 1 шт.
5. Универсальная насадка – 1 шт.
6. Сетевой адаптер – 1 шт.
7. Инструкция – 1 шт.

ТЕХНИЧЕСКИЕ ХАРАКТЕРИСТИКИ

Пылесос:

- Аккумуляторная батарея: 22,2 В, Li-Ion 2200 мА/ч
- Номинальная потребляемая мощность: 120 Вт

Сетевой адаптер:

- Электропитание: 100-240 В, ~ 50/60 Гц
- Выходное напряжение: 27 В 500 мА
- Объём контейнера-пылесборника: 0,5 л.
- Время работы на низкой мощности – около 50 мин.
- Время работы на максимальной мощности – около 20 мин.

УТИЛИЗАЦИЯ



Чтобы предотвратить возможный вред окружающей среде или здоровью людей от неконтролируемой утилизации отходов, после окончания срока службы устройства или элементов питания (если входят в комплект), не выбрасывайте их вместе с обычными бытовыми отходами, передайте прибор и элементы питания в специализированные пункты для дальнейшей утилизации.

Отходы, образующиеся при утилизации изделий, подлежат обязательному сбору с последующей утилизацией в установленном порядке.

Для получения дополнительной информации об

утилизации данного продукта обратитесь в местный муниципалитет, службу утилизации бытовых отходов или в магазин, где Вы приобрели данный продукт.

Производитель сохраняет за собой право изменять дизайн, конструкцию и технические характеристики, не влияющие на общие принципы работы устройства, без предварительного уведомления.

Срок службы устройства – 3 года

Дата производства указана в серийном номере.

В случае обнаружения каких-либо неисправностей необходимо обратиться в авторизированный сервисный центр.

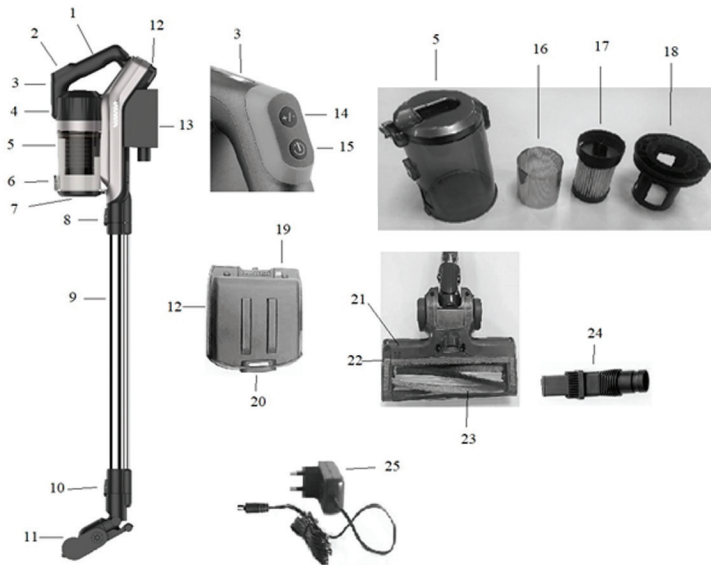
ШАҢСОРҒЫШ BR4267

Сымсыз қол шаңсорғышы үй-жайларды құрғақ жинастыруға арналған.

СИПАТТАМАСЫ

1. Сабы
2. Басқару панелі
3. Аккумуляторлық батарея зарядының индикациясы
4. Шаң жинағыш-контейнер бекіткіші батырмасы
5. Шаң жинағыш-контейнер
6. Төменгі қақпақ бекітпесі
7. Шаң жинағыш-контейнердің төменгі қақпағы
8. Ұзартқыш түтік/саптаманың жоғарғы бекіткіші
9. Ұзартқыш түтік
10. Ұзартқыш түтік/саптаманың төменгі бекіткіші
11. Электр қылшақ
12. Аккумуляторлық батарея
13. Қабырғаға бекітілген шаңсорғыш ұстағышы
14. Шаңсорғыштың «төмен-максималды» қуатын орнату батырмасы
15. Қосу/өшіру батырмасы
16. Торлы сүзгі
17. HEPA-сүзгі
18. HEPA-сүзгі ұстағышы
19. Аккумуляторлық батарея зарядының жарық индикаторы

20. Желі адаптері штекерін қосуға арналған ұя
21. Дөңгелек қылшақ бекіткішін бұғаттағыш
22. Дөңгелек қылшақ бұғаттағышы
23. Дөңгелек қылшақ
24. Әмбебап саптама
25. Желі адаптері





Cyp. 1



Cyp. 2



Cyp. 3



Cyp. 4



Cyp. 5



Cyp. 6



Cyp. 7



Cyp. 8



Cyp. 9



Cyp.10



Cyp. 11



Cyp. 12



Cyp. 13

ҚАУІПСІЗДІК ШАРАЛАРЫ ЖӘНЕ ҚОЛДАНУҒА БЕРУ ЖӨНІНДЕГІ НҰСҚАУЛЫҚ

Шаңсорғышты пайдалану алдында қолдану жөніндегі басшылықты мұқият оқып шығыңыз, оқыған соң, болашақта пайдалану үшін сақтап қойыңыз.

- Құрылғыны осы нұсқаулықта баяндалғандай, оның тікелей мақсаты бойынша ғана пайдаланыңыз.
- Құрылғыны дұрыс қолданбау оның бұзылуына, және пайдаланушыға немесе оның мүлкіне зиян келтіруге әкелуі мүмкін және кепілдік жағдайы болып табылмайды.
- Заттаңбада көрсетілген желі адаптерінің жұмыс кернеуі электр желісінің кернеуіне сәйкес екеніне көз жеткізіңіз.
- Аккумуляторлық батареяны қуаттау кезінде желілік адаптердің корпусын су қолмен ұстауға болмайды.
- Шаңсорғышты пайдалану алдында аккумуляторлық батареяны қуаттауға кеңес беріледі, егер сіз шаңсорғышты үш айдан аса уақыт пайдаланбаған болсаңыз, онда аккумуляторлық батареяны қуаттаңыз.
- Аккумуляторлық батареяны жоғары ылғалды және температуралы орындарда қуаттауға болмайды. Аккумуляторлық батареяның қуаттандыруды +5°C бастап +35°C дейінгі температурада және ауаның 80% аспайтын салыстырмалық ылғалдылығында орындау керек.
- Егер желілік адаптер розеткаға қосұлы болса, онда оны қараусыз қалдырмаңыз.
- Егер шаң жинағыш-контейнер орнатылмаса немесе дұрыс орнатылмаса, торлы сүзгі және HEPA-сүзгі орнатылмаса, шаңсорғышты пайдалануға тыйым салынады.
- Егер шаңжинағыш-контейнер орнатылмаса немесе дұрыс орнатылмаса, кіру немесе шығу сүзгісі орнатылмаса, шаңсорғышты пайдалануға тыйым салынады.
- Желіге қосылған құрылғыны, қараусыз қалдырмаңыз.
- Найзағай кезінде құрылғыны пайдалану ұсынылмайды.
- Құрылғыны соққыдан, құлаудан, дірілден және басқа да механикалық әсерлерден сақтаңыз.
- Құрылғыны жылыту аспаптарының, ашық оттың немесе жылу көздерінің тікелей жанында пайдаланбаңыз.
- Шаңсорғышты аэрозольдар пайдаланылатын немесе шашырайтын жерлерде, сондай-ақ тез тұтанатын сұйықтықтарға жақын жерлерде пайдалануға тыйым салынады, мұндай сұйықтықтарды сақтау орындарында шаңсорғышты пайдалануға тыйым салынады.
- Шаңсорғыш суды немесе кез келген басқа сұйықтықтарды жинауға арналмаған.
- Жанып жатқан немесе түтіндеп жатқан темекіні, бықсыған күлді жинауға тыйым салынады.
- Сылақтың, бетонның, ұнның немесе күлдің шаңын жинауға тыйым салынады.

- Үй жануарларының жүнін тазалау үшін шаңсорғышты пайдаланбаңыз.
- Үй-жайды жинау кезінде киімнің еркін салбырап тұрған элементтері, шаштар немесе дененің басқа да бөліктері қылшақтың немесе қондырмалардың ауа тартқыш тесігінің жанында болмауын қадағалаңыз.
- Баспалдақ алаңдарын жинау кезінде ерекше сақ болыңыз.
- Шаңсорғыштың кіру және шығу тесігін бөгде заттармен жабуға тыйым салынады, егер оның қандай да бір тесіктері бұғатталса, шаңсорғышты қоспаңыз.
- Шаңсорғышты тасымалдауға арналған сап ретінде қуаттандыру бауын пайдалануға тыйым салынады, шаңсорғышты тасымалдауға арналған саптан ұстап тасымалдаңыз.
- Шаң жинағыш-контейнерді, торлы сүзгіні және HEPA-сүзгіні мезгілімен тазалап отырыңыз.
- Пайдаланғаннан кейін немесе тазалар алдында, шаңсорғышты қосу/өшіру батырмасымен өшіріңіз.
- Балалардың қауіпсіздігі үшін қаптама ретінде пайдаланылатын полиэтилен пакеттерді қадағалаусыз қалдырмаңыз.
- Аккумуляторлық батареяны қуаттау кезінде балалардың желілік адаптердің корпусын ұстауына жол бермеңіз.
- Егер жұмыс істеп тұрған құрылғының маңында балалар немесе мүмкіндіктері шектеулі адамдар болса, онда ерекше назарда болыңыз.
- Жұмыс істеу уақытында және жұмыс циклдері арасындағы үзілістерде құрылғыны балалардың қолы жетпейтін жерде орналастырыңыз.
- Дене, жүйке немесе сана мүмкіндіктері төмендетілген тұлғалардың (балаларды қоса) немесе оларда тәжірибесі немесе білімі болмаса, егер олар бақыланбаса немесе олардың қауіпсіздігі үшін жауап беретін тұлғамен аспапты пайдалану туралы нұсқаулықтар берілген болмаса, аспап олардың пайдалануына тағайындалмаған.
- Құрылғыны өздігіңізден жөндеуге тыйым салынады. Құрылғыны өздігіңізден бөлшектемеңіз, кезкелген ақаулықтар пайда болғанда және сервис орталығына жүгініңіз.
- Зақымдануларға жол бермеу үшін құрылғыны тек зауыттық қаптамада тасымалдаңыз.
- Құрылғыны салқын және құрғақ, балалардың және мүмкіндігі шектеулі адамдардың қолы жетпейтін жерде сақтаңыз.

Назар аударыңыз! Балаларға полиэтилен қаптармен немесе қаптамалық үлдірмен ойнауға рұқсат етпеңіз. **Тұншығу қаупі бар!**

- Құрылғы балалардың пайдалануына арналмаған.
- Құрылғыны ойыншық ретінде пайдалануға жол бермеу үшін балаларды қадағалаңыз.

ҚҰРЫЛҒЫ ТЕК ТҰРМЫСТЫҚ ПАЙДАЛАНУҒА АРНАЛҒАН, ҚҰРЫЛҒЫНЫ КОМЕРЦИЯЛЫҚ НЕМЕСЕ ЗЕРТХАНАЛЫҚ МАҚСАТТАРДА ПАЙДАЛАНУҒА ТЫЙЫМ САЛЫНАДЫ.

АЛҒАШ РЕТ ПАЙДАЛУ АЛДЫНДА

Құрылғыны төмен температурада тасымалдағаннан кейін немесе сақтаған болсаңыз, оны қаптамадан шығарыңыз және пайдалану алдында 3 сағаттан кем емес уақыт күтіңіз.

- Шаңсорғышты ашыңыз, барлық қаптамалық және жарнамалық материалдарды алып тастаңыз.
- Зауыттық қаптамасын сақтап қойыңыз.
- Қауіпсіздік шаралары мен пайдалануға беру жөніндегі кеңестермен танысыңыз.
- Жинақталымын тексеріңіз.
- Құралды зақымдануына қатысты тексеріп шығыңыз, зақымдануы болған жағдайда оны қоспаңыз.
- Желі адаптерінің қуаттандыру кернеуінің көрсетілген параметрлері электр желісінің параметрлеріне сәйкес келетініне көз жеткізіңіз. Құрылғыны 60 Гц жиіліктегі электр желісінде пайдаланғанда ешқандай қосымша әрекет қажет емес.

ШАҢСОРҒЫШТЫ ЖИНАУ

Ұзартқыш түтікті және қондырмаларды жалғау

- Аккумуляторлық батареяны (12) бекіткіш шертілгенге дейін орнатыңыз.

Ұзартқыш түтікшені қосу

- Ұзартқыш түтікшені (9) шаңсорғыштың ауа жинайтын тесігіне бекіткіш (8) шертілгенге дейін салыңыз (сур. 1).

- Электр қылшақты (11) ұзартқыш түтікке (9) қосыңыз (сур. 2).
- Электр қылшақты (11) шаңсорғыштың ауа тартқыш тесігіне қосуға болады.
- Ұзартқыш түтікшені (9) шаңсорғыштан ажырату үшін бекіткіштің (8) түймесін басып, ұстап тұрыңыз.
- Электрлік қылшақты (11) ұзартқыш түтікшеден (9) ажырату үшін бекіткіштің (10) түймесін басып, ұстап тұрыңыз.

Электрлік қылшақ

- Тегіс едендері немесе кілем жабынының орташа және қысқа түгі бар үй-жайларды жинау үшін электрлік қылшақты (11) пайдаланыңыз.

Ескертпе:

– егер кілем жабындары түктерінің ұзындығы 15 мм асатын болса, онда электрлік қылшақты (11) пайдалануға тыйым салынады.

– электрлік қылшақпен (11) электр сымдарының үстінен жүргізуге болмайды.

Саңылауларға арналған қондырма

- Өмбебап саптама (24) радиаторларды, саңылауларды және т.б. тазалауға және жиһаз бетінен шаң жинауға арналған, қылшақта түгінің болуы жиһаздың жылтыратылған бетіне зақым келтіруін болдырмайды. Тазалау кезінде бекіткішке басу арқылы саптаманы (24) қажетті күйге қойыңыз.

- Саңылауға арналған қылшақты (24) ұзартқыш түтікке (9) (сур. 3) немесе шаңсорғыштың ауа жинайтын тесігіне қосуға болады (сур. 4).

ШАҢСОРҒЫШТЫҢ ҚАБЫРҒАЛЫҚ ҰСТАҒЫШЫ

- Шаңсорғышты/аккумуляторлық батареяның қуатын сақтауға арналған орынды анықтап алыңыз. Электрлік розетка қабырғалық ұстағыштың (13) қасында болуы керек.
- Қабырғалық ұстағышты (13) шаңсорғыштың толық салбырауына жол бермейтіндей етіп орналастыру керек, шаңсорғыш электрлік қылшаққа (11) сүйенуі керек.
- Қабырғада тесіктерді бұрғыламас бұрын, бұл жерде электр сымдары немесе басқа коммуникациялар жоқ екеніне көз жеткізіңіз.
- Қабырға ұстағышына (13) желілік адаптердің байланыстырушы сымының штекерін (25) салыңыз.
- Қабырғалық ұстағышты (13) дюбелдер мен бекітетін шұрыптардың көмегімен бекітіңіз (сур. 5).

АККУМУЛЯТОРЛЫҚ БАТАРЕЯНЫ ҚУАТТАУ

НАЗАР АУДАРЫҢЫЗ!

- Жеткізу жинағына кіретін аккумуляторлық батареяны ғана пайдалану керек, түпнұсқалық емес батареяны пайдалану қауіпке әкеп соғуы мүмкін.
- Электрліттің ағып кетуіне жол бермеу үшін литий-иондық батареяларды соққыға, жоғары температуралар-

дың әсеріне соғуға тыйым салынады, аккумуляторлық батареяны бөлшектеуге тыйым салынады.

– Аккумуляторлық батареяны отқа тастауға тыйым салынады.

– Аккумуляторлық батарея байланыстарының тұйықталуына жол бермеу керек, бұл күюге немесе өртке әкелуі мүмкін.

– Аккумуляторлық батареяны қарапайым тұрмыстық қалдықтармен бірге тастауға болмады, оны ары қарай кәдеге асыру үшін мамандандырылған орынға өткізу керек.

- Құралды алғаш рет қолдану алдында немесе оны пайдаланудағы ұзақ үзілістен кейін аккумуляторлық батареяны қуаттандыру керек.

Шешіп алынған аккумуляторлық батареяны зарядтау

- Желілік адаптер (25) сымының штекерін аккумуляторлық батареяның (12) ұясына (20) салыңыз.
- Желілік адаптерді (24) электр розеткасына салыңыз, осы ретте жарық индикаторы (19) қызыл түспен жанады, аккумуляторлық батарея (12) толық зарядталған кезде, индикатор (19) жасыл түспен жанады (сур. 6).
- Аккумуляторлық батарея зарядталғаннан кейін, желі адаптерін (25) электр розеткасынан суырып алыңыз.
- Егер сіз аккумуляторлық батареяны (12) зарядтау

- үшін қабырға шаңсорғышының ұстағышын (13) үнемі қолданатын болсаңыз, онда ұстағышты (13) қабырғаға бекітпес бұрын, оған желілік адаптердің (25) қосқыш сымының штекерін орнатыңыз («шаңсорғыштың қабырға ұстағышы» бөлімін қараңыз).
- Шаңсорғышты қабырға ұстағышына (13) салыңыз, желі адаптерін (25) электр розеткасына салыңыз, осы ретте индикатор (3) жыпылықтайды, аккумуляторлық батарея (12) толық зарядталған кезде, индикатор (3) тұрақты жанып тұрады (сур. 7).
 - Аккумулятор батареясының толық зарядталу уақыты 4-5 сағат шамасы.
 - Аккумуляторлық батарея толық қуатталғаннан кейін желілік адаптерді (25) электрлік розеткадан шығарыңыз.

Ескертпе:

- аккумуляторлық батареяны қуаттандыруды +5°C бастап +35°C дейінгі температурада жүзеге асырыңыз
- егер сіз шаңсорғышты екі немесе үш айдан астам уақыт пайдаланбаған болсаңыз, онда шаңсорғышты пайдалану алдында аккумуляторлық батареяны толық қуаттаңыз.

ШАҢСОРҒЫШТЫ ПАЙДАЛАНУ

НАЗАР АУДАРЫҢЫЗ!

- Егер үй жинау барысында шаңсорғыштың сору қуаттылығы кенет төмендесе, шаңсорғышты дереу

сөндіріп, ұзартқыш түтіктің (8) бітеліп қалмағандығын тексеріңіз. Қоқысты алып тастап, содан кейін ғана жинау жұмыстарын жалғастыруға болады.

- Жанып тұрған немесе түтіні бар темекілерді, өызуы бар шоқты жинауға тыйым салынады, сылақты, бетонның, ұнның немесе күлдің шаңдарын жинауға тыйым салынады.
- Шаңсорғыш суды немесе кез-келген басқа сұйықтықтарды жинауға арналмаған.
- Шаңсорғышты аэрозольдар пайдаланылатын немесе шашырайтын жерлерде, сондай-ақ тез тұтанатын сұйықтықтарға жақын жерлерде пайдалануға тыйым салынады, мұндай сұйықтықтарды сақтау орындарында шаңсорғышты пайдалануға тыйым салынады.

ШАҢСОРҒЫШТЫ ҚОСУ

Назар аударыңыз! Шаңсорғышты тек шаң жинағыш-контейнері (5) орнатылған күйде және оған торлы сүзгі (16) және HEPA-сүзгі (17) орнатылған күйде ғана қосыңыз.

- Шаңсорғыш жұмыс істеп жатқанда және оны тасымалдаған кезде оны қолсабынан (1) ұстаңыз.
- Шаңсорғышты сақтаған немесе аккумуляторлық батареяны қуаттаған кезде ыңғайлы болу Шаңсорғыштың қабырғалық ұстағышы (13) пайдаланыңыз.
- Шаңсорғышты қосу үшін қосу/өшіру батырмасын (2)

басыңыз, шаңсорғыш төмен қуат деңгейінде қосылады, шаңсорғышты өшіру үшін (15) батырмасын тағы бір рет басыңыз (сур. 7).

- Шаңсорғыштың қуатын орнату оның жұмысы кезінде (14) батырмасын басу арқылы жүргізіледі.
- Егер жұмыс кезінде индикатор (3) жыпылықтаса, бұл жағдайда аккумуляторлық батареяны (12) зарядтау қажет.

ТАЗАЛАУ ЖӘНЕ КҮТІМ

Назар аударыңыз!

Шаң жинағыш-контейнердің (5), торлы сүзгінің (16) және HEPA-сүзгісінің (17) тазалығын қадағалаңыз, шаңсорғыштың тиімділігі осыған байланысты.

- Шаңсорғышты әр қолданғаннан кейін шаң жинағыш-контейнерді (5) тазалап отыру, торлы сүзгіні (16) және HEPA-сүзгісін (17) мезгілімен тазалап отыру ұсынылады.
- Шаң мен қоқысты кетіру үшін шаң жинағыш-контейнерді (5) қоқыс шелегінің үстіне орналастырыңыз, бекіткішке (6) басыңыз (сур. 9) және қақпақты (7) ашыңыз, шаң мен қоқысты алып тастаңыз, қақпақты (7) бекіткіш (6) іске қосылғанға дейін жабыңыз.

Шаң жинағыш-контейнерді тазалау

- Шаң жинағыш-контейнерді (5) тазалар алдында одан жоғарыда көрсетілгендей шаң мен қоқысты алып тастаңыз.

- Шаң жинағыш-контейнерді (5) шешіп алу үшін, бекіткішті (4) басып ұстап тұрыңыз (сур. 10).
- Ұстағышты (18) шаң жинағыштың-контейнерден (5) шығарып алыңыз, торлы сүзгіні (16) және HEPA-сүзгісін (17) шешіп алыңыз.
- Торлы сүзгіні (16) және HEPA-сүзгісін (17) жылы ағынды судың астында жуып жіберіңіз және оларды кептіріңіз.
- Шаң жинағыш-контейнердің (5) құтысын жуып, оны кептіріңіз.
- Барлық шешілмелі бөлшектерді жуу үшін ыдыс жуатын машинаны пайдалануға болмайды.

Ескертпе: шаң жинағыш-контейнерді (5) құрастыру алдында барлық шешілмелі бөлшектердің таза және құрғақ екеніне көз жеткізіңіз.


Шаң жинайтын-контейнерді құрастыру

- Торлы сүзгіні (16) HEPA-сүзгісіне (17) орнатыңыз және оларды ұстағышқа (18) орнатыңыз.
- Ұстағышты (18) шаң жинағыштың-контейнер (5) құтысына орнатыңыз.
- Жиналған шаң жинағыш-контейнерді (5) бекіткіш (4) шертілгенге дейін орнына орнатыңыз, шаң жинағыш-контейнер (5) сенімді бекітілгендігіне көз жеткізіңіз (сур. 11).


Электрлік қылшақты тазарту

- Электрлік қылшақты (11) пайдалану кезінде айналатын қылшаққа шаш, жіп ж.с.с. оралып қалуы мүмкін.

Жлектрлік қылшақтың (11) тазалығын бақылау керек, ластанған кезде қылшақты (11) ашық, дөңгелек қылшақты тазалаңыз.

- Электрлік қылшақты (11) бекіткішті (9) басып, ұзартқыш түтіктен (10) шешіп алыңыз.
- Қылшақты (11) аударыңыз, бекіткішті (22) ұстап тұрып, бұғаттағышты (21) таңбаға «» қарай басыңыз, бекіткішті (22) шешіп алыңыз, дөңгелек қылшақты (23) шығарып алыңыз (сур. 12), қылшаққа оралып қалған(23) жіптер мен шаштарды алып тастаңыз.
- Электр қылшақ корпусының (11) ішкі және сыртқы беттерін шаң мен қоқыстан тазартыңыз.

Электрлік қылшақты құрастыру

- Дөңгелек қылшақтың оң жағын (23) қылшақ корпусына (11) тірелгенге дейін салыңыз.
- Дөңгелек қылшақтың сол жағын (23) қылшақ корпусына (11) салыңыз, бұғаттауышты (21) таңбаға «» қарай басыңыз, бекіткішті (22) орнына орнатыңыз және бұғаттауышты (21) босатыңыз.
- Дөңгелек қылшақтың сенімді бекітілгендігіне көз жеткізіңіз.

Шаңсорғыш корпусын тазалау

- Шаңсорғыш корпусын сәл дымқыл матамен сүртіңіз, содан соң құрғатып сүртіңіз.
- Шаңсорғыш корпусын, электрлік қылшақты (11) және желілік адаптерді (25) суға немесе кез-келген

басқа сұйықтықтарға салуға тыйым салынады. Шаңсорғыш корпусының ішіне және электрлік қылшаққа (11) сұйықтықтың тиюіне жол бермеңіз.

- Шаңсорғыш корпусы мен барлық бөлшектерді тазалау үшін еріткіштер мен абразивтік тазалау құралдарын пайдалануға тыйым салынады.

САҚТАУ

- Шаңсорғышты ұзақ уақытқа сақтауға қойғанға дейін, шаңсорғыш корпусын, шаңжинағыш-контейнерді (5) және электрлік қылшақты (11) тазалаңыз.
- Шаңсорғышты құрғақ салқын жерде балалар мен мүмкіндігі шектеулі адамдардың мүмкіндіктері шектеулі адамдардың қолы жетпейтін жерде сақтаңыз.

АККУМУЛЯТОРЛЫҚ БАТАРЕЯНЫ КӘДЕГЕ АСЫРУ

- Бекіткішке басыңыз және аккумуляторлық батареяны (12) (сур. 13) шешіп алыңыз, аккумуляторлық батареяны күнделікті тұрмыстық қалдықтармен бірге тастауға болмайды, оны ары қарай кәдеге асыру үшін мамандандырылған орынға өткізіңіз.

Ақаулық	Себептері	Жою
Шаңсорғыш қосылмайды.	Аккумуляторлық батареяның қуаты толық аяқталған.	Аккумуляторлық батареяны қуаттау керек.

<p>Сору қуаттылығы азайды.</p>	<p>Шаң жинағыш-контейнер толған.</p> <p>Сүзгілер блогы ластанған.</p> <p>Ұзартқыш түтікте қоқыс бар.</p> <p>Электрлік қылшақтағы дөңгелек қылшақ айналмайды.</p> <p>Аккумуляторлық батареяның қуаты толық аяқталған.</p>	<p>Шаң жинағыш-контейнерді тазалаңыз.</p> <p>Сүзгілер блогын тазалаңыз.</p> <p>Ұзартқыш түтіктегі қоқысты тазалаңыз.</p> <p>Электрлік қылшақты тазалаңыз.</p> <p>Аккумуляторлық батареяны толық қуаттау керек.</p>
<p>Аккумуляторлық батареяны зарядтау кезінде индикатор жанбайды.</p>	<p>Электр розеткада кернеу жоқ.</p> <p>Желі адаптері электр розеткасына салынбаған.</p> <p>Желі адаптері сымның шткері мен зарядтау ұясының байланысы бұзылған.</p>	<p>Электр розеткаға істеп тұрған құрылғыны қосып тексеріңіз.</p> <p>Желі адаптерін электр розеткасына салыңыз.</p> <p>Желі адаптерінің сымы шткері қосылуын зарядтаудан тексеріңіз.</p>
<p>Шаңсорғыш аз уақыт жұмыс істейді.</p>	<p>Аккумуляторлық батареяның қуаты толық емес.</p> <p>Аккумуляторлық батареяның ескіруінің табиғи үдерісі.</p>	<p>Аккумуляторлық батареяны толық қуаттау керек.</p> <p>Аккумуляторлық батарея кепілдік мерзімі өткеннен кейін шығын элементі болып табылады, тұтынушы оны өздігінен сатып алады.</p>

ЖЕТКІЗІЛІМ ЖИЫНТЫҒЫ

1. Шаңсорғыш (орнатылған шаңжинағыш-контейнері бар) – 1 дана.
2. Шаңсорғыштың қабырғалық ұстағышы – 1 дана.
3. Ұзартқыш түтік – 1 дана.
4. Электрлік қылшақ – 1 дана.
5. Әмбебап саптама – 1 дана.
6. Желілік адаптер – 1 дана.
7. Нұсқаулық – 1 дана.

ТЕХНИКАЛЫҚ СИПАТТАМАЛАРЫ

- Шаңсорғыш:
- Аккумуляторлық батареясы: 22,2 В, Li-Ion 2200 мА/сағ
- Номиналдық тұтыну қуаттылығы: 120 Вт

Желілік адаптер:

- Электр қуаттандыруы: 100-240 В ~ 50/60 Гц
- Шығыс кернеуі: 27 В 500 мА
- Шаңжинағыш-ко тейнердің көлемі: 0.5 л.
- Аз қуатта жұмыс істеу уақыты – шамамен 50 мин.
- Максималдық қуатта жұмыс істеу уақыты – шамамен 20 мин.

ПАЙДАҒА АСЫРУ

Қалдықтардың бақыланбай пайдаға асыруынан қоршаған ортаға немесе адамдардың денсаулығына зиян келтірмеу үшін, құрылғының немесе қуаттандыру элементтерінің (егер жинақталымға кірсе) қызмет



ету мерзімі аяқталғаннан кейін оларды әдеттегі тұрмыстық қалдықтармен бірге тастамаңыз, аспапты және қуаттандыру элементтерін одан әрі пайдаға асыру үшін арнайы пункттерге жіберіңіз.

Бұйымдарды пайдаға асыру кезінде пайда болатын қалдықтар белгіленген тәртіп бойынша келесі пайдаға асырылатын тәртіппен міндетті түрде жинауға жатады.

Берілген өнімді пайдаға асыру туралы қосымша ақпаратты алу үшін жергілікті муниципалитетке, тұрмыстық қалдықтарды пайдаға асыру қызметіне немесе берілген өнімді сіз сатып алған дүкенге жүгініңіз.

Өндіруші алдын-ала ескертусіз, құрылғының дизайнын, конструкциясы мен оның жалпы жұмыс ұстанымдарына әсер етпейтін техникалық сипаттамаларын өзгерту құқығын өзіне қалдырады.

Құрылғының қызмет ету мерзімі – 3 жыл

Өндірілген күні сериялық нөмірде көрсетілген.

Қандай да бір ақаулықтар табылған жағдайда дереу авторландырылған сервистік орталыққа жүгіну керек.



Hergestellt für «Ruste GmbH»,
Berggasse 18/18, 1090 Wien,
Österreich

Produced for «Ruste GmbH»,
Berggasse 18/18, 1090 Vienna, Austria

Изготовлено по заказу Русте Гмбх,
Бергассе 18/18, 1090 Вена, Австрия

Уполномоченное изготовителем
лицо: ООО «Грантэл»
143912, МО, г. Балашиха,
ш. Энтузиастов, вл. 1А
т.: +7 (495) 297-50-20,
e-mail: info@brayer.su

Made in China/Произведено в Китае



brayer.ru

