

Instruction manual  
Инструкция по эксплуатации

Blender BR1256  
Блендер BR1256



## СОДЕРЖАНИЕ

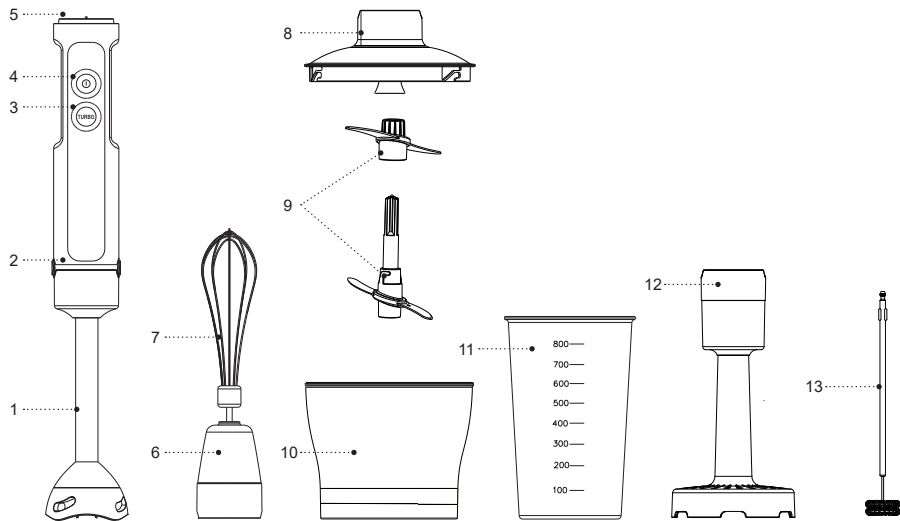
EN.....	3
DE.....	14
RU.....	27
KZ.....	39

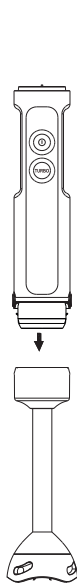
## **BLENDER BR1256**

The blender set is intended for chopping, mixing, combined processing of liquid and solid products and making potato mash.

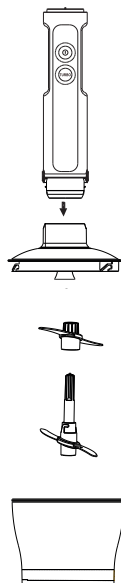
### **DESCRIPTION**

1. Blender attachment
2. Attachment release buttons
3. Speed «TURBO» on button
4. ON/OFF button «☉»
5. Rotation speed control knob
6. Whisk attachment gear
7. Whisk attachment
8. Chopper geared lid
9. Chopping knife
10. Chopper bowl
11. Cup
12. Potato mash making attachment
13. Cappuccinatore attachment





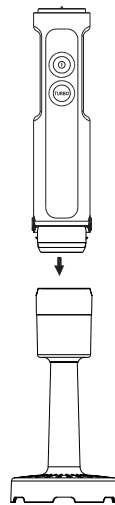
Pic. 1



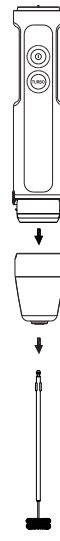
Pic. 2



Pic. 3



Pic. 4



Pic. 5

## SAFETY MEASURES AND OPERATION RECOMMENDATIONS

**Read the operation instructions carefully before using the unit, after reading keep them for future reference.**

- Use the unit for its intended purpose only, as it is stated in this manual.
- Mishandling the unit can lead to its breakage and cause harm to the user or damage to the user's property, which is not covered by warranty.
- Make sure that the operating voltage of the unit indicated on the label corresponds to your home mains voltage.

**CAUTION! Continuous operation time with the attachments should not exceed 30 seconds. After 2 operation cycles, stop using for at least 3 minutes.**

- Do not use the unit outdoors.
- It is recommended not to use the unit during lightning storms.
- Protect the unit from impacts, falling, vibrations and other mechanical stress.
- Never leave the unit connected to the mains unattended.
- Do not use the unit near heating appliances, heat sources or open flame.
- Do not use the unit in places where aerosols are used or sprayed, and in proximity to inflammable liquids.

- Do not use the unit in proximity to the kitchen sink, in bathrooms, near swimming pools or other containers filled with water.
- If the unit is dropped into water, unplug it immediately, and only then you can take the unit out of water. Apply to the authorized service center for testing or repairing the unit.
- Do not let the power cord touch hot surfaces and sharp edges of furniture.
- Unplug the unit after usage or before cleaning. When unplugging the unit, hold the power plug and carefully remove it from the mains socket, do not pull the power cord, as this can lead to its damage and cause a short circuit.
- Do not touch the unit body, the power cord and the power plug with wet hands.
- Before using the unit for the first time, thoroughly wash all the removable attachments and containers that will contact food.
- Use only the parts supplied.
- Do not touch rotating parts of the unit. Do not let hair or free hanging clothes get into the rotation area of the blender attachment knife or whisk.
- Before using the unit, make sure that the attachments are installed properly and fixed.
- Place the chopper bowl on a flat and steady surface.
- Put the products into the chopper bowl before switching the unit on. Do not switch the unit on if the chopper bowl is empty.
- Cool down hot products before putting them into the chopper bowl.

- Watch the amount of products put in the chopper bowl and the level of poured liquids.
- Cutting edges of the chopping knife and the blender attachment are sharp and dangerous. Be careful while using the chopping knife and the blender attachment.
- If the chopping knife stops during the unit operation, switch the unit off, unplug it and open the geared lid, remove the product which is hindering the knife rotation. If the chopping knife or blender attachment rotation is hindered, it is recommended to add some water, juice, liquor etc. into the chopper bowl or the container used with the blender attachment.
- Remove the motor unit from the chopper bowl only after disconnecting the motor unit from the mains.
- Do not place the chopper bowl and the measuring cup into a microwave oven.
- Do not put the attachments and bowls in a dishwashing machine.
- For children safety reasons do not leave polyethylene bags used as a packaging unattended.
- Be especially careful if children or disabled persons are near the operating unit.
- During the unit operation and breaks between operation cycles, place the unit out of reach of children.
- The unit is not intended for usage by physically or mentally disabled persons (including children) or by persons lacking experience or knowledge if they are not under supervision of a person who is responsible for their safety or if they are not instructed by this person on the usage of the unit.
- From time to time check the power cord integrity.
- If the power cord is damaged, it should be replaced by the manufacturer, a maintenance service or similar qualified personnel to avoid danger.
- Do not repair the unit by yourself. Do not disassemble the unit by yourself, if any malfunction is detected, and after the unit was dropped, unplug it and apply to the service center.
- To avoid damages, transport the unit in the original package.
- Keep the unit in a dry cool place out of reach of children and disabled persons.

**ATTENTION!** Do not allow children to play with polyethylene bags or packaging film. **Danger of suffocation!**

- The unit is not intended for usage by children.
- Do not leave children unattended to prevent using the unit as a toy.
- Do not allow children to touch the operating surface, the unit body, the power cord or the power plug during operation of the unit.

**THE UNIT IS INTENDED FOR HOUSEHOLD USE ONLY, DO NOT USE THE UNIT FOR COMMERCIAL OR LABORATORY PURPOSES.**

## **BEFORE THE FIRST USE**

**After the unit's transportation or storage at negative temperature, unpack it and wait for at least 3 hours before using it.**

- Unpack the unit and remove all the packaging materials.
- Keep the original package.
- Read the safety measures and operating recommendations.
- Check the delivery set.
- Examine the unit for damages; if the unit is damaged, do not plug it into the mains.
- Make sure that the indicated specifications of the power supply voltage of the unit correspond to the specifications of your mains. When the unit is used in the mains with 60 Hz frequency, it does not need any additional settings.
- Before using the unit wash the whisk attachment (7), the chopping bowl (10), the chopping knives (9), the cup (11) and the cappuccinatore attachment (13) with warm water and neutral detergent, rinse and dry them.
- Wash only the lower part of the blender attachment (1) and the potato mash making attachment (12), clean the outer surface with a slightly damp cloth. Never immerse the blender attachment (1) and the potato mash making attachment (12) into water or any other liquids completely.
- Wipe the motor unit, the chopper geared lid (8), the whisk attachment gear (6) with a soft, slightly damp cloth and then wipe them dry.

**ATTENTION!** Do not immerse the blender attachment (1), the motor unit, the chopper geared lid (8), the whisk attachment gear (6), the potato mash making

attachment (12), the power cord and the power plug into water or any other liquids.

## USING THE BLENDER ATTACHMENT

**Continuous operation time of the blender attachment (1) should not exceed 30 seconds. Stop using for at least 3 minutes between two operation cycles.**

- Use the blender attachment (1) for making sauces, mayonnaise, fruit puree, baby food, mixing various ingredients and for processing fruit and vegetables containing enough liquid.
- Before installing the blender attachment (1), make sure that the power plug is not inserted into the mains socket.
- Insert the blender attachment (1) into the motor unit until the release buttons (2) clicking, make sure that the attachment is fixed properly (pic. 1).
- Insert the power plug into the mains socket.
- Immerse the blender attachment (1) into the bowl with food that you want to chop/mix; you can also put the food in the measuring cup (11).

**ATTENTION!** Hold the motor unit with the blender attachment (1) vertically while processing the food (pic.1).

- To switch the unit on, press and hold down the button (4) «⊙». Use this operation mode for mixing liquid products.
- When you press and hold the button (4) «⊙» you can control the attachment rotation speed by turning



the control knob (5). Use this operation mode for processing of liquid and solid products.

- For operation at the maximal rotation speed, press and hold down the button (3) «TURBO».

#### Notes:

- products should be put into the bowl before the unit is switched on. The amount of products to be processed should not exceed 2/3 of the capacity of the bowl in which they are processed.
- before chopping and mixing peel the fruit, remove inedible parts, such as stones, and cut fruit into 15x15x15 mm cubes. Put them into a bowl and add some juice or water. The maximal amount of products should not exceed 350 g and 250 ml of water or juice.
- do not chop or mix frozen food.

**ATTENTION!** When chopping hard vegetables, for example, carrots — cut the carrot into small 15x15x15 mm pieces and put them in the cup (11). The maximal weight of the carrot should not exceed 150g. Add 250 ml of water.

- To switch the blender attachment (1) rotation off release the button (3 or 4).
- After you finish the unit operation, take the power plug out of the mains socket and remove the blender attachment (1) by pressing the release buttons (2) (pic. 1).

#### ATTENTION!

- Do not remove the blender attachment (1) during the unit operation.
- To avoid damaging the knives of the blender attachment (1) do not process very hard products, such as cereals, rice, coffee beans, hard cheese, frozen food etc.
- If the foodstuffs are hard to chop with the blender attachment (1), add some water, juice, liquor etc.

#### USING THE CHOPPER

**Continuous operation time of the chopper attachment should not exceed 30 seconds. Stop using for at least 3 minutes between two operation cycles.**

- The attachment is used to chop meat, cheese, onion, herbs, garlic, carrots, walnuts, prunes, vegetables or fruit.

**ATTENTION!** Do not chop very hard products, such as nutmegs, coffee beans, cereals, frozen food or ice.

#### PREPARING THE FOOD BEFORE CHOPPING:

- Remove bones, veins, cartilage and fat from meat.
- Cut meat, cheese, onions, vegetables or fruit into pieces approximately 60x20x20 mm in size. Maximal weight of the meat should not exceed 200 g.
- Remove stems of herbs, shell nuts.



## CHOPPING

- Before assembling the chopper, make sure that the power plug is not inserted into the mains socket.
- Place the chopper bowl (10) on a flat and steady surface.
- Install the upper chopper knife onto the lower one and turn it clockwise until bumping, install the knives (9) on the axis inside the bowl (10). If there is a protection cover on the chopping knives (9), carefully remove it.

**Warning:** the blades of chopping knives (9) are very sharp! Always hold the chopping knives (9) by the plastic end.

- Put the products into the bowl (10).

**Note:** do not switch the unit on with empty bowl (10).

- Place the geared lid (8) on the bowl (10) and rotate it clockwise until bumping.
- Press on the locks (2) and install the motor unit on the neck of the gear cover (8), make sure that the motor unit is securely fixed. Install the motor unit vertically and evenly (pic. 2).
- Insert the power plug into the mains socket.
- To switch on, press and hold down the button (4) «»
- When you press and hold the button (4) «», you can control the chopping knives (9) rotation speed by turning the control knob (5).
- For operation at the maximal rotation speed, press and hold down the (3) «TURBO» button.

- During operation hold the motor unit with one hand and the chopper bowl (10) with the other hand.
- Release the button (3 or 4) to switch off.
- After using the unit, wait until the chopping knives (9) fully stops.
- Remove the power plug from the mains socket.
- Disconnect the motor unit from the geared lid (8) by pressing the lock buttons (2) (pic. 2).
- Remove the geared lid (8) from the bowl (10) by turning it counterclockwise.
- Carefully remove the chopping knives (9) from the bowl (10) holding them by the plastic end.
- Take the chopped products out of the bowl (10).

## The amount of products and the processing time:

Product	Maximum weight	Time
Meat	200 g	30 seconds
Herbs	50 g	10 seconds
Almond	150 g	20 seconds
Cheese	100 g	10 seconds
Bread crumbs	80 g	10 seconds
Onions	200 g	20 seconds
Cookies	150 g	10 seconds
Soft fruit	200 g	10 seconds



### USING THE WHISK ATTACHMENT

- Continuous operation time with the whisk attachment (7) should not exceed 30 seconds. Stop using for at least 3 minutes between two operation cycles.

**ATTENTION!** Do not use the whisk attachment (7) to knead tight dough (pic.1).

- Use the whisk attachment (7) only for beating egg whites, making biscuit dough or for mixing ready desserts.

**Before installing the whisk attachment (7), make sure that the power plug is not inserted into the mains socket.**

- Insert the whisk attachment (7) into the whisk gear (6).
- Insert the whisk gear (6) into the motor unit, make sure that the gear (6) and the whisk (7) are fixed properly (fig. 3).
- Insert the power plug into the mains socket.
- Immerse the whisk attachment (7) into a suitable bowl with food. You can put the foodstuffs into the cup (11).
- To switch the unit on, press and hold down the button (4) «».
- When you press and hold the button (4) «» you can control the attachment rotation speed by turning the control knob (5).
- For operation at the maximal rotation speed, press and hold down the button (3) «TURBO».
- Release the button (3 or 4) to switch off.


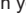
- After you finish using the unit, disconnect the power plug from the mains socket, disconnect the whisk gear (6) from the motor unit.
- Remove the whisk attachment (7) from the gear (6).

### MASHED POTATO ATTACHMENT

**Continuous operation time of the mashed potato attachment (12) should not exceed 30 seconds. Stop using for at least 3 minutes between two operation cycles**

- Before installing the attachment (12), make sure that the power plug is not inserted into the mains socket.
- Insert the attachment (12) into the motor unit, and turn it counterclockwise as far as it will go, make sure that the attachment (12) is fixed properly.
- Insert the power plug into the mains socket.
- Immerse the attachment (12) into the bowl with boiled potatoes.

**ATTENTION!** When making the potato mash hold the motor unit with the attachment (12) vertically.

- To switch the unit on, press and hold down the button (4) «».
- When you press and hold the button (4) «», you can control the attachment rotation speed by turning the control knob (5).
- For operation at the maximal rotation speed, press and hold down the button (3) «TURBO».
- When you make potato mash, add warm milk or some potato pot liquor.

- Release the button (3 or 4) to switch off.
- After you finish the unit operation, take the power plug out of the mains socket and remove the attachment (12).
- Wash the lower part of the attachment (12), wipe the outer part of the attachment (12) body with a damp cloth. Do not immerse the attachment (12) into water or other liquids.

### CAPPUCCINATORE ATTACHMENT

**Continuous operation time of the cappuccinatore attachment (13) should not exceed 30 seconds. After 2 operation cycles, stop using for at least 3 minutes.**

- The cappuccinatore attachment (13) is used only for milk frothing.
- Before installing the attachment (13), make sure that the power plug is not inserted into the mains socket.
- Insert the attachment (13) into the gear (6).
- Insert the gear (6) into the motor unit until the locks (2) clicking and make sure that the gear (6) and the attachment (13) are fixed properly (pic. 5).
- Insert the power plug into the mains socket.
- Put the attachment (13) into a suitable container with cold milk or cream. You can put the foodstuffs into the cup (11).
- To switch on, press and hold down the button (4) «☉».
- When you press and hold the button (4) «☉», you can control the cappuccinatore attachment (13) rotation speed by turning the control knob (5).

- For operation at the maximal rotation speed, press and hold down the (3) «TURBO» button.
- Release the button (3 or 4) to switch off.
- After you finish using the unit, take the power plug out of the mains socket, disconnect the gear (6) from the motor unit by pressing the lock buttons (5) (pic. 5).
- Remove the cappuccinatore attachment (13) from the gear (6).

### CLEANING

**CAUTION!** The blades of the chopping knives (9) are very sharp and may be dangerous. Handle the chopping knives (9) with extreme caution!

- Remove the power plug from the mains socket after using the unit.
- Wash the whisk attachment (7), the chopping bowl (10), the chopping knives (9), the cup (11) and the cappuccinatore attachment (13) with warm water and neutral detergent, rinse and dry them.
- Rinse only the lower part of the blender attachment (1) and the attachment (12), wipe the outer surface with a slightly damp cloth. Do not fully immerse the blender attachment (1) and the mashed potato attachment (12) into water or any other liquids.
- Wipe the motor unit, the geared lid (8) and the whisk attachment gear (6) with a soft slightly damp cloth and then wipe them dry.
- After processing salty or sour products, it is necessary to rinse the blender attachment (1) or the chopping knives (9) with water immediately.

- While possessing products with dyeing properties (for instance, carrot or beetroot) the attachments and bowls can get colored, wipe the attachments and the bowls with a cloth, dampened in vegetable oil; after that wash the attachments and bowls with a neutral detergent, rinse and dry them.
- Do not immerse the motor unit, the gear (6), the geared lid (8) into any liquids, do not wash them under water jet or in a dishwashing machine.
- Do not use abrasives and solvents to clean the motor unit body and the removable parts.

## STORAGE

- Clean the unit parts before taking it away for long storage.
- Do not wind the power cord around the motor unit.
- Keep the unit in a dry cool place out of reach of children and disabled persons.

## DELIVERY SET

1. Motor unit – 1 pc.
2. Blender attachment – 1 pc.
3. Whisk gear – 1 pc.
4. Whisk attachment – 1 pc.
5. Geared lid – 1 pc.
6. Chopping knives – 2 pcs.
7. Chopping bowl – 1 pc.
8. Measuring cup – 1 pc.
9. Mashed potatoes attachment – 1 pc.
10. Cappuccinatore attachment – 1 pc.
11. Instruction manual – 1 pc.

## TECHNICAL SPECIFICATIONS

- Power supply: 220-240 V, ~ 50-60 Hz
- Rated input power: 1500 W
- Cup - 800 ml
- Chopper bowl – 600 ml

## RECYCLING



To prevent possible damage to the environment or harm to the health of people by uncontrolled waste disposal, after expiration of the service life of the unit or the batteries (if included), do not discard them with usual household waste, take the unit and the batteries to specialized stations for further recycling.

The waste generated during the disposal of products is subject to mandatory collection and consequent disposal in the prescribed manner.

For further information about recycling of this product apply to a local municipal administration, a household waste disposal service or to the shop where you purchased this product.

The manufacturer reserves the right to change the design, structure and specifications not affecting general operation principles of the unit, without prior notice.

### The unit operating life is 3 years

The manufacturing date is specified in the serial number.

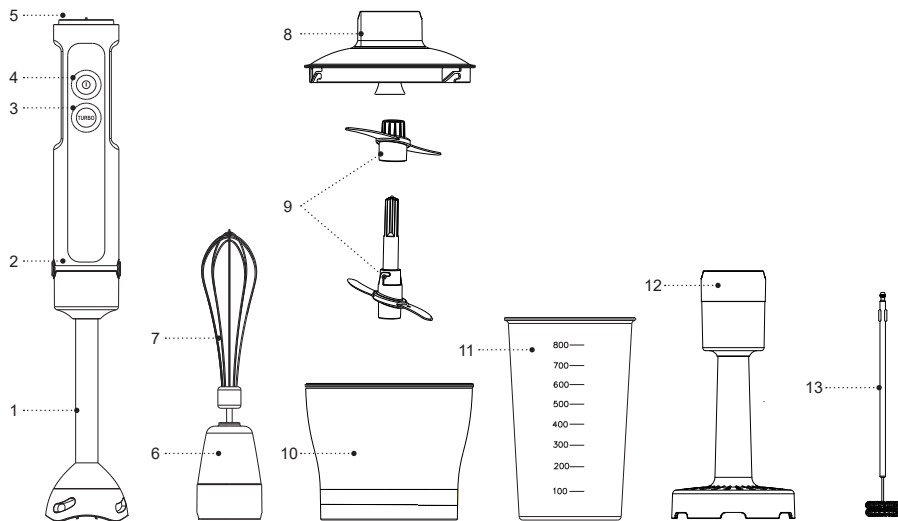
In case of any malfunctions, it is necessary to apply promptly to the authorized service center.

## **STABMIXER BR1256**

**Das Mixer-Set dient zum Zerkleinern, Mischen, gemeinsamen Bearbeiten von flüssigen und harten Nahrungsmitteln sowie zum Zubereiten von Kartoffelpüree.**

### **BESCHREIBUNG**

1. Stabmixeraufsatz
2. Aufsatzverriegelungstasten
3. Geschwindigkeitseinschalttaste «TURBO»
4. Geschwindigkeitseinschalttaste «⊙»
5. Drehgeschwindigkeitsregler
6. Schlagbesengetriebe
7. Schlagbesenaufsatz
8. Getriebedeckel des Zerkleinerers
9. Zerkleinerungsmesser
10. Zerkleinerungsbehälter
11. Becher
12. Kartoffelpüree machen Befestigung
13. Cappuccinatore-Aufsatz



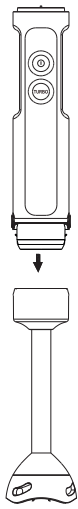


Abb. 1

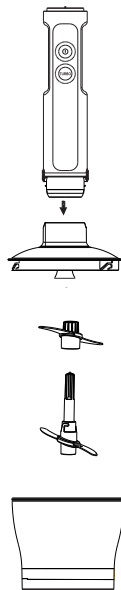


Abb. 2



Abb. 3

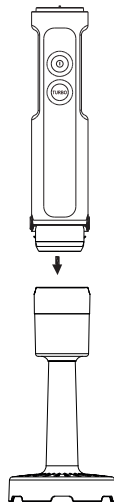


Abb. 4



Abb. 5



## SICHERHEITSHINWEISE UND BEDIENUNGSANLEITUNG

**Bevor Sie das Gerät benutzen, lesen Sie zuerst die Bedienungsanleitung aufmerksam durch und bewahren Sie sie zum späteren Gebrauch auf.**

- Benutzen Sie das Gerät nur bestimmungsmäßig und laut dieser Bedienungsanleitung.
- Missbrauch des Geräts kann zu seiner Störung führen, den Benutzer oder sein Eigentum beschädigen und ist kein Garantiefall.
- Vergewissern Sie sich, dass die auf dem Bezeichnungszettel angegebene Betriebsspannung und die Netzspannung übereinstimmen.

**ACHTUNG! Die kontinuierliche Arbeitszeit mit der Aufsätze sollte 30 Sekunden nicht überschreiten. Nach 2 Betriebszyklen machen Sie eine Pause von mindestens 3 Minuten.**

- Es ist nicht gestattet, das Gerät draußen zu benutzen.
- Es ist nicht empfohlen, das Gerät bei Gewitter zu benutzen.
- Schützen Sie das Gerät vor Stößen, Stürzen, Vibrationen und anderen mechanischen Einwirkungen.
- Lassen Sie das ans Stromnetz angeschlossene Gerät nie unbeaufsichtigt.
- Benutzen Sie das Gerät in direkter Nähe von Heizgeräten, Wärmequellen oder offenem Feuer nicht.

- Es ist verboten, das Gerät an den Orten, wo Sprays verwendet werden, sowie in der Nähe von leichtentzündbaren Flüssigkeiten zu benutzen.
- Benutzen Sie das Gerät in der Nähe von Spülbecken, in Badezimmern und neben den Wasserbecken oder anderen mit Wasser gefüllten Behältern nicht.
- Falls das Gerät ins Wasser gefallen ist, ziehen Sie den Netzstecker aus der Steckdose sofort heraus, erst danach holen Sie das Gerät aus dem Wasser heraus. Wenden Sie sich an einen autorisierten Kundendienst, um das Gerät prüfen oder reparieren zu lassen.
- Achten Sie darauf, dass das Netzkabel heiße Oberflächen und scharfe Möbelkanten nicht berührt.
- Trennen Sie das Gerät nach dem Gebrauch oder vor der Reinigung vom Stromnetz ab. Wenn Sie das Gerät vom Stromnetz abtrennen, halten Sie den Netzstecker fest und ziehen Sie ihn aus der Steckdose vorsichtig heraus; ziehen Sie das Netzkabel nicht, da es zu seiner Beschädigung und einem Kurzschluss führen kann.
- Berühren Sie das Gerätegehäuse, das Netzkabel und den Netzstecker mit nassen Händen nicht.
- Vor der ersten Gerätenutzung spülen Sie alle mit den Nahrungsmitteln zu kontaktierenden abnehmbaren Aufsätze und Behälter sorgfältig durch.
- Benutzen Sie nur die mitgelieferten Teile.
- Berühren Sie keine drehenden Geräteteile. Halten Sie Haar oder frei hängende Kleiderstücke vom Drehbereich des Messers des Stabmixeraufsatzes oder des Schlagbesens fern.

- Vergewissern Sie sich vor der Gerätenutzung, dass die Aufsätze richtig aufgestellt und befestigt sind.
- Stellen Sie den Zerkleinerungsbehälter auf eine ebene und standfeste Oberfläche auf.
- Legen Sie die Nahrungsmittel in den Zerkleinerungsbehälter vor der Geräteeinschaltung ein, es ist verboten, das Gerät ohne Nahrungsmittel im Zerkleinerungsbehälter einzuschalten.
- Kühlen Sie heiße Nahrungsmittel ab, bevor Sie sie in den Zerkleinerungsbehälter einlegen.
- Beachten Sie die Nahrungsmittelmenge und den Flüssigkeitenfüllstand im Zerkleinerungsbehälter.
- Die Schneidkanten des Zerkleinerungsmessers und des Stabmixeraufsatzes sind scharf und gefährlich, gehen Sie mit den Zerkleinerungsmessern und dem Stabmixeraufsatz vorsichtig um.
- Wenn das Zerkleinerungsmesser während des Betriebs stoppt, schalten Sie das Gerät aus, ziehen Sie den Netzstecker aus der Steckdose heraus, nehmen Sie den Getriebedeckel ab und entfernen Sie das die Zerkleinerungsmesserrotation verhemdende Nahrungsmittel. Bei schwer drehendem Zerkleinerungsmesser und Stabmixeraufsatz ist es empfohlen, Wasser, Saft, Brühe usw. in den Zerkleinerungsbehälter oder in den Behälter mit verwendetem Stabmixeraufsatz einzugeben.
- Nehmen Sie die Motoreinheit vom Zerkleinerungsbehälter erst nach dem Abtrennen der Motoreinheit vom Stromnetz ab.
- Es ist nicht gestattet, den Zerkleinerungsbehälter und den Messbecher in den Mikrowellenöfen zu stellen.
- Es ist nicht gestattet, die Aufsätze und die Behälter in der Geschirrspülmaschine zu waschen.
- Aus Kindersicherheitsgründen lassen Sie die als Verpackung verwendeten Plastiktüten nie ohne Aufsicht.

**ACHTUNG!** Lassen Sie Kinder mit Plastiktüten oder Verpackungsfolien nicht spielen. **Erstickungsgefahr!**

- Das Gerät ist nicht für Kinder bestimmt.
- Beaufsichtigen Sie Kinder, damit sie das Gerät als Spielzeug nicht benutzen.
- Lassen Sie Kinder die Arbeitsfläche, das Gerätegehäuse, das Netzkabel oder den Netzstecker während des Gerätebetriebs nicht berühren.
- Besondere Vorsichtsmaßnahmen sind in den Fällen angesagt, wenn sich Kinder oder behinderte Personen während des Gerätebetriebs in der Nähe aufhalten.
- Während des Betriebs und der Pausen zwischen den Betriebszyklen stellen Sie das Gerät an einen für Kinder unzugänglichen Ort auf.
- Dieses Gerät ist für Personen (darunter Kinder) mit Körper-, Nerven- und Geistesstörungen oder Personen ohne ausreichende Erfahrung und Kenntnisse nicht geeignet, wenn sie sich unter Aufsicht der Person, die für ihre Sicherheit verantwortlich ist, nicht befinden oder entsprechende Anweisungen über die Nutzung des Geräts nicht bekommen haben.
- Prüfen Sie die Unversehrtheit des Netzkabels von Zeit zu Zeit.

- Wenn das Netzkabel beschädigt ist, soll es vom Hersteller, vom Kundendienst oder von ähnlich qualifiziertem Personal ersetzt werden, um Gefahren zu vermeiden.
- Es ist nicht gestattet, das Gerät selbständig zu reparieren. Es ist nicht gestattet, das Gerät selbständig auseinanderzunehmen; bei der Feststellung jeglicher Beschädigungen, sowie im Sturzfall, trennen Sie das Gerät vom Stromnetz ab und wenden Sie sich an einen Kundendienst.
- Um Beschädigungen zu vermeiden, transportieren Sie das Gerät nur in der Fabrikverpackung.
- Bewahren Sie das Gerät an einem trockenen, kühlen und für Kinder und behinderte Personen unzugänglichen Ort auf.

**DAS GERÄT IST NUR FÜR DEN GEBRAUCH IM HAUSHALT GEEIGNET, ES IST VERBOTEN, DAS GERÄT ZU INDUSTRIE- ODER LABORZWECKEN ZU BENUTZEN.**

## VOR DEM ERSTEN BETRIEB

**Packen Sie das Gerät aus und warten Sie mindestens 3 Stunden, bevor Sie es bei einer negativen Temperatur transportieren oder bewahren.**

- Packen Sie das Gerät aus und entfernen Sie alle Verpackungsmaterialien.
- Bewahren Sie die Originalverpackung auf.
- Lesen Sie die Sicherheitsmaßnahmen und Bedienungsempfehlungen durch.

- Prüfen Sie die Komplettheit.
- Prüfen Sie das Gerät auf Beschädigungen, wenn es beschädigt ist, schließen Sie es ans Stromnetz nicht an.
- Vergewissern Sie sich, dass die angegebenen Parameter der Geräteversorgungsspannung und die Stromnetzparameter übereinstimmen. Beim 60-Hz-Stromnetz-Gerätebetrieb sind keine zusätzlichen Maßnahmen erforderlich.
- Waschen Sie den Schlagbesenaufsatz (7), den Zerkleinerungsbehälter (10), die Zerkleinerungsmesser (9), den Becher (11), den Cappuccinatore-Aufsatz (13) vor Gebrauch mit warmem Wasser und neutralem Reinigungsmittel, spülen Sie sie ab und trocknen Sie sie ab.
- Am Stabmixeraufsatz (1) und des Kartoffelpüreeaufsatzes (12) spülen Sie nur den Unterteil aus und wischen Sie die Außenseite mit einem leicht angefeuchteten Tuch ab. Es ist nicht gestattet, den Stabmixeraufsatz (1) und des Kartoffelpüreeaufsatzes (12) ins Wasser oder jegliche andere Flüssigkeiten vollständig einzutauchen.
- Wischen Sie die Motoreinheit, den Getriebedeckel des Zerkleinerers (8), das Schlagbesengetriebe (6) mit einem weichen, leicht angefeuchteten Tuch, danach trocknen Sie sie ab.

**ACHTUNG!** Es ist verboten, den Stabmixeraufsatz (1), die Motoreinheit, den Getriebedeckel (8), das Schlagbesengetriebe (6), des Kartoffelpüreeaufsatzes (12), das Netzkabel und den Netzkabelstecker ins Wasser oder jegliche andere Flüssigkeiten einzutauchen.

## NUTZUNG DES STABMIXERAUFSATZES

**Die kontinuierliche Arbeitszeit mit dem Stabmixeraufsatz (1) sollte 30 Sekunden nicht überschreiten. Machen Sie zwischen zwei Arbeitsgängen eine Pause von mindestens 3 Minuten.**

- Verwenden Sie den Stabmixeraufsatz (1) zum Zubereiten von Soßen, Mayonnaise, Fruchtpürees, Säuglingsnahrung, zum Mischen verschiedener Zutaten und zum Bearbeiten von Obst und Gemüse mit einer ausreichenden Saftmenge.

**Vergewissern Sie sich vor dem Aufstellen des Stabmixeraufsatzes (1), dass der Netzstecker an die Steckdose nicht angeschlossen ist.**

- Setzen Sie den Mixeraufsatz (1) in die Motoreinheit ein, bis die Verriegelungen (2) einrasten, vergewissern Sie sich, dass der Aufsatz sicher befestigt ist (Abb. 1).
- Stecken Sie den Netzstecker in die Steckdose ein.
- Tauchen Sie den Stabmixeraufsatz (1) in einen Behälter mit Nahrungsmitteln, die Sie zerkleinern/ mixen möchten, ein, dafür können Sie den Becher (11) benutzen.

**ACHTUNG!** Bei der Verarbeitung von Nahrungsmitteln halten Sie die Motoreinheit mit dem Stabmixeraufsatz (1) aufrecht. (Abb. 1)

- Um das Gerät einzuschalten, drücken und halten Sie die Taste (4) «⊙». Benutzen Sie diesen Betrieb, um

flüssige Nahrungsmittel zu mixen.

- Beim Drücken und Halten der Taste (4) «⊙» können Sie die Aufsatzdrehgeschwindigkeit mit dem Regler (5) einstellen. Benutzen Sie diesen Betrieb, um flüssige und harte Nahrungsmittel zusammen zu bearbeiten.
- Für die Höchstgeschwindigkeit drücken und halten Sie die Taste (3) «TURBO».

### Anmerkungen:

- legen Sie die Nahrungsmittel in den Behälter vor der Geräteeinschaltung ein. Die Menge der zu verarbeitenden Nahrungsmittel soll 2/3 des Fassungsvermögens des Behälters nicht überschreiten.
- vor dem Zerkleinern und Mischen ist es notwendig, die Früchte zu schälen, ungenießbare Teile wie Samen zu entfernen, die Früchte in 15×15×15 mm große Würfel zu schneiden, sie in einen Behälter einzulegen und dann Saft oder Wasser zu zugeben; die Maximalmenge soll 350 g für Nahrungsmittel und 250 ml für Wasser oder Saft betragen.
- Es ist verboten, Gefrierahrungsmittel zu zerkleinern oder zu mixen.

**ACHTUNG!** Wenn Sie hartes Gemüse wie Karotte zerkleinern, schneiden Sie die Karotte in kleine Stücke von 15×15×15 mm und legen Sie sie in den Becher (11) ein, dabei soll das maximale Karottengewicht 150 g nicht überschreiten, und geben Sie 250 ml Wasser hinzu.

- Lassen Sie die Taste (3 oder 4) los, um die Drehung des Stabmixeraufsatzes (1) auszuschalten.
- Nach der Gerätenutzung ziehen Sie den Netzstecker aus der Steckdose heraus und nehmen Sie den Mixeraufsatz (1) ab, indem Sie die Verriegelungstasten (2) drücken (Abb. 1).

### **ACHTUNG!**

- Es ist verboten, den Stabmixeraufsatz (1) während des Betriebs zu entfernen.
- Um die Stabmixeraufsatzmesser (1) nicht zu beschädigen, sollen keine sehr harten Nahrungsmittel wie Getreide, Reis, Kaffeebohnen, Hartkäse, Gefrierprodukte usw. bearbeitet werden.
- Wenn die Nahrungsmittel mit dem Stabmixeraufsatz (1) schwer zu bearbeiten sind, müssen Sie eine kleine Menge Wasser, Saft, Brühe usw. hinzufügen.

### **ZERKLEINERERBETRIEB**

**Die kontinuierliche Arbeitszeit mit dem Zerkleinerungsaufsatz sollte 30 Sekunden nicht überschreiten. Machen Sie zwischen zwei Arbeitsgängen eine Pause von mindestens 3 Minuten.**

- Der Aufsatz wird zum Zerkleinern von Fleisch, Käse, Zwiebeln, Kräuter, Knoblauch, Karotten, Walnüsse, Backpflaumen, Gemüse oder Obst verwendet.

**ACHTUNG!** Es ist verboten, sehr harte Nahrungsmittel wie Muskatnüsse, Kaffeebohnen, Getreide sowie Gefrier-Nahrungsmittel oder Eis zu zerkleinern

### **VORBEREITUNG DER NAHRUNGSMITTEL VOR DEM ZERKLEINERN:**

- Entfernen Sie Knochen, Sehnen, Knorpel und Fett vom Fleisch.
- Schneiden Sie Fleisch, Käse, Zwiebel, Gemüse und Früchte in Stücke ca. 60x20x20 mm groß. Das maximale Fleischgewicht soll 200 g nicht übersteigen.
- Entfernen Sie Stängel bei Kräutern, schälen Sie Nüsse.

### **ZERKLEINERUNG**

- Vergewissern Sie sich vor dem Aufbau des Zerkleinerers, dass der Netzstecker an keine Steckdose angeschlossen ist.
- Stellen Sie den Zerkleinerungsbehälter (10) auf eine ebene und standfeste Oberfläche.
- Setzen Sie das obere Zerkleinerungsmesser auf das untere und drehen Sie es im Uhrzeigersinn bis zum Anschlag, setzen Sie die Messer (9) auf die Achse im Inneren des Behälters (10). Wenn an den Zerkleinerungsmesser (9) der Schutzdeckel vorhanden ist, entfernen Sie ihn vorsichtig.

**Achtung:** Die Klingen der Zerkleinerungsmesser (9) sind sehr scharf! Halten Sie die Zerkleinerungsmesser (9) immer am Plastikendstück.

- Legen Sie Nahrungsmittel in den Behälter (10) ein.  
**Anmerkung:** schalten Sie das Gerät mit dem leeren Behälter (10) nicht ein.
- Setzen Sie den Getriebedeckel (8) auf den Behälter (10) und drehen Sie ihn im Uhrzeigersinn bis zum Anschlag.
- Drücken Sie die Halterungen (2) und setzen Sie die Motoreinheit an das Füllrohr des Getriebedeckels (8), vergewissern Sie sich, dass die Motoreinheit sicher befestigt ist. Stellen Sie die Motoreinheit senkrecht und ohne Verkantungen auf (Abb. 2).
- Stecken sie den Netzstecker in die Steckdose ein.
- Fürs Einschalten drücken Sie und halten die Taste (4) «☉».
- Beim Drücken und Halten der Taste (4) «☉» können Sie die Geschwindigkeit der Zerkleinerungsmesser (9) durch Drehen des Reglers (5) einstellen.
- Für die Arbeit im Maximalgeschwindigkeitsbetrieb drücken und halten Sie die Taste (3) «TURBO».
- Halten Sie die Motoreinheit während des Betriebs mit einer Hand und halten Sie den Zerkleinerungsbehälter (10) mit der anderen Hand fest.
- Zum Ausschalten lassen Sie die Taste (3 oder 4) los.
- Nach der Nutzung des Geräts warten Sie ab, bis die Zerkleinerungsmesser (9) vollständig stoppen.
- Ziehen Sie den Netzstecker aus der Steckdose heraus.
- Trennen sie die Motoreinheit vom Getriebedeckel (8) ab, indem Sie die Sperrtasten (2) drücken (Abb. 2).

- Nehmen sie den Getriebedeckel (8) vom Behälter (10) durch Drehen gegen den Uhrzeigersinn ab.
- Nehmen Sie die Zerkleinerungsmesser (9) aus dem Behälter (10) vorsichtig heraus, indem Sie sie am Plastikendstück festhalten.
- Nehmen Sie die zerkleinerten Nahrungsmittel aus dem Behälter (10) heraus.

#### Nahrungsmittelmenge und deren Bearbeitungszeit:

Nahrungsmittel	Maximales Gewicht	Zeit
Fleisch	200 g	30 Sek.
Kräuter	50 g	10 Sek.
Mandel	150 g	20 Sek.
Käse	100 g	10 Sek.
Zwieback	80 g	10 Sek.
Zwiebel	200 g	20 Sek.
Gebäck	150 g	10 Sek.
Weiche Früchte	200 g	10 Sek.

#### NUTZUNG DES SCHLAGBESENAUFSATZES

**Die kontinuierliche Arbeitszeit mit dem Schlagbesenaufsatz (7) sollte 30 Sekunden nicht überschreiten. Machen Sie zwischen zwei Arbeitsgängen eine Pause von mindestens 3 Minuten.**

**ACHTUNG!** Es ist nicht gestattet, den Schlagbesenaufsatz (7) zum Anrühren des festen Teigs zu benutzen.

- Der Schlagbesenaufsatz (7) wird nur zum Schlagen von Eiweiß, zum Zubereiten von leichtem Teig oder zum Mischen von fertigen Desserts verwendet.

**Vergewissern Sie sich vor dem Aufstellen des Schlagbesenaufsatz (7), dass der Netzstecker an die Steckdose nicht angeschlossen ist.**

- Setzen Sie den Stabmixeraufsatz (7) in das Schlagbesengetriebe (6) ein.
- Setzen Sie das Schlagbesengetriebe (6) in die Motoreinheit ein und drehen Sie es entgegen dem Uhrzeigersinn, vergewissern Sie sich, dass das Getriebe (6) und das Schlagbesen (7) fest befestigt sind (Abb. 3).
- Stecken Sie den Netzstecker in die Steckdose ein.
- Tauchen Sie den Schlagbesen (7) in einen geeigneten Behälter, in den Sie die Nahrungsmittel gelegt haben, ein. Sie können die Nahrungsmittel in den Becher (11) einlegen.
- Um das Gerät einzuschalten, drücken und halten Sie die Taste (4) «⊙».
- Beim Drücken und Halten der Taste (4) «⊙» können Sie
- die Drehgeschwindigkeit des Schlagbesens mit dem Regler (5) einstellen.
- Für die Höchstgeschwindigkeit drücken und halten Sie die Taste (3) «TURBO».

- Lassen Sie die Taste (3 oder 4) zum Ausschalten los.
- Nach der Gerätenutzung ziehen Sie den Netzstecker aus der Steckdose heraus, trennen Sie das Schlagbesengetriebe (6) von der Motoreinheit ab, indem Sie das Getriebe (6) im Uhrzeigersinn drehen.
- Nehmen Sie den Schlagbesenaufsatz (7) aus dem Getriebe (6) heraus.

### **KARTOFFELPÜREE MACHEN BEFESTIGUNG**

**Dauerbetrieb Zeit sollte nicht mehr als 1 minute, während die Kartoffel Maische Herstellung Anlage (12). Machen Sie mindestens eine 3-minütige Pause zwischen den Betriebszyklen.**

- Achten Sie vor der Installation des Anhangs (12) darauf, dass der Netzstecker nicht in die Steckdose gesteckt wird.
- Legen Sie die Befestigung (12) in die Motoreinheit und drehen Sie Sie gegen den Uhrzeigersinn, so weit es geht, stellen Sie sicher, dass die Befestigung (12) richtig fixiert ist.
- Stecken Sie den Netzstecker in die Steckdose. Den Anhang (12) mit Salzkartoffeln in die Schüssel geben.

**ACHTUNG!** Beim Zubereiten von Kartoffelpüree halten Sie die Motoreinheit mit dem Aufsatz (12) senkrecht (Abb. 4).

- Um das Gerät einzuschalten, drücken und halten Sie die Taste (4) «⊙» gedrückt. Wenn Sie die Taste (4) «⊙» drücken und halten,

können Sie die Drehzahl durch drehen des regelknopfes (5) Steuern.

- Für den Betrieb mit der maximalen Drehzahl, drücken und halten Sie die Taste (3) «TURBO».
- Wenn Sie Kartoffelpüree machen, fügen Sie warme Milch oder etwas kartoffeltopf Likör hinzu.
- Lassen Sie die Taste (3 oder 4) zum Ausschalten los.
- Nachdem Sie das Gerät beendet haben, nehmen Sie den Netzstecker aus der Steckdose und entfernen die Befestigung (12) im Uhrzeigersinn (Abb.4).
- Waschen Sie den unteren Teil der Anlage (12), wischen Sie den äußeren Teil der Anlage (12) Körper mit einem feuchten Tuch. Den Anbau (12) nicht in Wasser oder andere Flüssigkeiten Tauchen.

### CAPUCCINATORE-AUFSATZ

**Die kontinuierliche Arbeitszeit mit dem Cappuccinatore-Aufsatz (13) sollte 30 Sekunden nicht überschreiten. Machen Sie nach zwei Arbeitsgängen eine Pause von mindestens 3 Minuten.**

- Der Cappuccinatore-Aufsatz (13) wird nur zum Aufschäumen von Milch benutzt.
- Vergewissern Sie sich vor dem Aufstellen des Aufsatzes (13), dass der Netzstecker an keine Steckdose angeschlossen ist.
- Setzen Sie den Aufsatz (13) in das Getriebe (6) ein.
- Setzen Sie das Getriebe (6) in die Motoreinheit ein, bis die Halterungen (2) einrasten, vergewissern Sie

sich, dass das Getriebe (6) und der Aufsatz (13) sicher befestigt sind (Abb. 5).

- Stecken sie den Netzstecker in die Steckdose ein.
- Senken Sie den Aufsatz (13) in einen geeigneten Behälter, in den Sie gekühlte Milch oder Sahne gegossen haben. Sie können die Nahrungsmittel auch in den Becher (11) geben.
- Zum Einschalten drücken Sie und halten Sie die Taste (4) «☉».
- Wenn Sie die Taste (4) «☉» drücken und gedrückt halten, können Sie die Drehgeschwindigkeit des Cappuccinatore-Aufsatzes (13) durch Drehen des Reglers (5) einstellen.
- Für die Arbeit im Maximalgeschwindigkeitsbetrieb drücken und halten Sie die Taste (3) «TURBO».
- Zum Ausschalten lassen Sie die Taste (3 oder 4) los.
- Nach der Nutzung des Geräts ziehen Sie den Netzstecker aus der Steckdose und trennen Sie das Getriebe (6) von der Motoreinheit durch Drücken der Sperrtasten (2) ab (Abb. 5).
- Nehmen Sie den Cappuccinatore-Aufsatz (13) aus dem Getriebe (6) heraus.

### REINIGUNG

**ACHTUNG!** Die Klingen der Zerkleinerungsmesser (9) sind sehr scharf und gefährlich. Gehen Sie mit der Zerkleinerungsmesser (9) sehr vorsichtig um!

- Nach der Nutzung des Geräts ziehen Sie den Netzstecker aus der Steckdose.
- Waschen Sie den Schlagbesenaufsatz



- (7), den Zerkleinerungsbehälter (10), die Zerkleinerungsmesser (9), den Becher (11), den Cappuccinatore-Aufsatz (13) mit warmem Wasser und neutralem Reinigungsmittel, spülen Sie sie ab und trocknen Sie sie ab.
- Waschen Sie nur den unteren Teil des Stabmixeraufsatzes (1) und des Aufsatzes (12), wischen Sie die Außenfläche mit einem leicht angefeuchteten Tuch ab. Tauchen Sie den Stabmixeraufsatz (1), den Aufsatz für Kartoffelpüree (12) ins Wasser oder in jegliche anderen Flüssigkeiten vollständig nicht ein.
  - Wischen Sie die Motoreinheit, den Getriebedeckel (8), das Getriebe des Schlagbesenaufsatzes (6) mit einem weichen leicht angefeuchteten Tuch ab, danach trocknen Sie sie.
  - Nach der Verarbeitung gesalzener oder saurer Nahrungsmitteln müssen Sie die Stabmixeraufsatz (1) oder die Zerkleinerungsmesser (9) sofort mit Wasser abspülen.
  - Bei der Zerkleinerung von Nahrungsmitteln mit starken Farbeigenschaften, z.B. Karotte oder Rüben, können sich die Aufsätze oder die Behälter färben, wischen Sie die Aufsätze und die Behälter mit einem mit Pflanzenöl angefeuchteten Tuch, danach waschen Sie die Aufsätze und die Behälter mit einem neutralen Waschmittel, spülen und trocknen Sie diese ab.
  - Es ist nicht gestattet, die Motoreinheit, das Getriebe (6) und den Getriebedeckel (8) in

jegliche Flüssigkeiten einzutauchen, sowie diese unter dem Wasserstrahl zu spülen und in der Geschirrspülmaschine zu waschen.

- Zum Reinigen des Motoreinheitengehäuses und der abnehmbaren Teile dürfen keine Schleifreinigungs- und Lösungsmittel verwendet werden.

## AUFBEWAHRUNG

- Reinigen Sie die Geräteteile, bevor Sie das Gerät für längere Zeit lagern.
- Wickeln Sie das Netzkabel über die Motoreinheit nicht auf.
- Bewahren Sie das Gerät an einem trockenen, kühlen und für Kinder und behinderte Personen unzugänglichen Ort auf.

## LIEFERUMFANG

1. Motoreinheit — 1 Stk.
2. Stabmixeraufsatz — 1 Stk.
3. Schlagbesengetriebe — 1 Stk.
4. Schlagbesenaufsatz — 1 Stk.
5. Getriebedeckel — 1 Stk.
6. Zerkleinerungsmesser — 2 Stk.
7. Zerkleinerungsbehälter — 1 Stk.
8. Becher — 1 Stk.
9. Aufsatz für Kartoffelpüree — 1 Stk.
10. Cappuccinatore-Aufsatz — 1 Stk.
11. Bedienungsanleitung — 1 Stk.

## TECHNISCHE EIGENSCHAFTEN

- Stromversorgung: 220-240 V, ~ 50-60 Hz
- Nennleistungsaufnahme: 1500 W
- Becher – 800 ml
- Zerkleinerungsbehälter – 600 ml

## ENTSORGUNG



Um mögliches Schaden für die Umwelt oder die menschliche Gesundheit durch unkontrollierte Abfallentsorgung zu vermeiden, werfen Sie das Gerät und die Batterien (falls mitgeliefert) nach Beendigung ihrer Nutzungsdauer

zusammen mit gewöhnlichen Haushaltsabfällen nicht weg, geben Sie das Gerät und die Batterien in die Spezialpunkte für weitere Entsorgung über.

Die bei Entsorgung der Erzeugnisse entstehenden Abfälle sind unbedingt zu sammeln und weiter ordnungsmäßig zu entsorgen.

Mehrere Information zur Entsorgung dieses Produkts erhalten Sie bei Ihrer lokalen Stadtverwaltung, einem Abfallentsorgungsdienst oder beim Geschäft, wo Sie dieses Produkt gekauft haben.

Der Hersteller behält sich das Recht vor, das Design, die Konstruktion und die das gemeine Gerätebetriebsprinzip nicht beeinflussenden technischen Eigenschaften ohne Vorbenachrichtigung zu verändern.

## Die Gerätenutzungsdauer beträgt 3 Jahre

Das Herstellungsdatum ist in der Fabrikationsnummer angegeben.

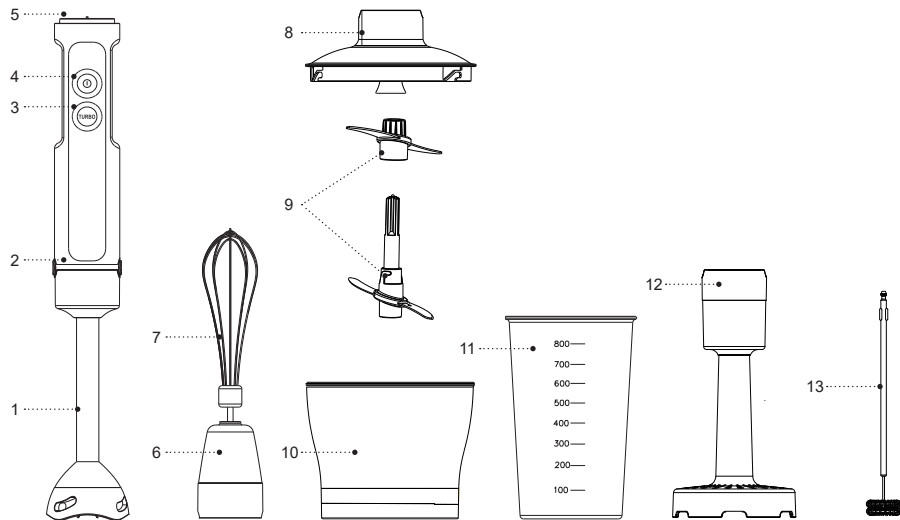
Bei Störungsfeststellung wenden Sie sich baldigst an einen autorisierten Kundendienst.

## **БЛЕНДЕР BR1256**

Блендерный набор предназначен для измельчения, перемешивания, совместной обработки жидких и твёрдых продуктов, а также для приготовления картофельного пюре.

### **ОПИСАНИЕ**

1. Насадка-блендер
2. Кнопки фиксатора насадок
3. Кнопка включения максимальной скорости «TURBO»
4. Кнопка включения «☉»
5. Регулятор скорости вращения
6. Редуктор насадки-венчика
7. Насадка-венчик
8. Крышка-редуктор измельчителя
9. Ножи-измельчители
10. Ёмкость измельчителя
11. Стакан
12. Насадка для картофельного пюре
13. Насадка капучинатор



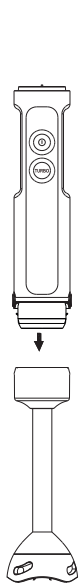


Рис. 1

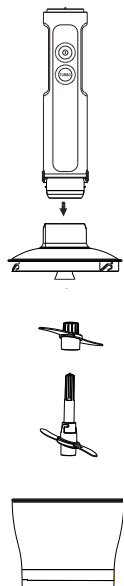


Рис. 2



Рис. 3

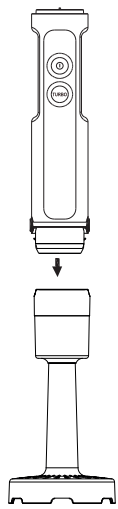


Рис. 4



Рис. 5

## МЕРЫ БЕЗОПАСНОСТИ И РЕКОМЕНДАЦИИ ПО ЭКСПЛУАТАЦИИ

**Перед использованием устройства внимательно ознакомьтесь с руководством по эксплуатации, после прочтения сохраните его для использования в будущем.**

- Используйте устройство только по его прямому назначению, как изложено в данной инструкции.
- Неправильное обращение с устройством может привести к его поломке, причинению вреда пользователю или его имуществу и не является гарантийным случаем.
- Убедитесь, что рабочее напряжение устройства, указанное на этикетке, соответствует напряжению электросети.

**ВНИМАНИЕ! Время непрерывной работы с насадками не должно превышать 30 секунд. После 2 циклов работы, делайте перерыв не менее 3 минут.**

- Запрещается использовать устройство вне помещений.
- Не рекомендуется использовать устройство во время грозы.
- Оберегайте устройство от ударов, падений, вибраций и иных механических воздействий.
- Не оставляйте устройство, включённое в сеть, без присмотра.
- Не используйте устройство в непосредственной близости от нагревательных приборов, источников тепла или открытого пламени.

- Запрещается использовать устройство в местах, где используются или распыляются аэрозоли, а также вблизи от легковоспламеняющихся жидкостей.
- Не используйте устройство вблизи от кухонной раковины, в ваннных комнатах, около бассейнов или других ёмкостей, наполненных водой.
- Если устройство упало в воду, немедленно выньте вилку шнура питания из электрической розетки, и только после этого можно достать устройство из воды. Обратитесь в сервисный центр для осмотра или ремонта устройства.
- Не допускайте, чтобы шнур питания касался горячих поверхностей и острых кромок мебели.
- Отключайте устройство от электросети после использования или перед чисткой. При отключении устройства от электрической сети держите за вилку шнура питания и аккуратно выньте её из электрической розетки, не тяните за шнур питания — это может привести к его повреждению и вызвать короткое замыкание.
- Не прикасайтесь к корпусу устройства, к шнуру питания и к вилке шнура питания мокрыми руками.
- Перед первым использованием устройства тщательно промойте все съёмные насадки и ёмкости, которые будут контактировать с продуктами.
- Используйте только детали, которые входят в комплект поставки.

- Не прикасайтесь к вращающимся деталям устройства. Не допускайте попадания волос или свободно висящих элементов одежды в зону вращения ножей насадки-блендера или венчика.
- Перед использованием устройства убедитесь, что насадки установлены правильно и зафиксированы.
- Устанавливайте ёмкость измельчителя на ровную и устойчивую поверхность.
- Помещайте продукты в ёмкость измельчителя до включения устройства, запрещается включать устройство, если в ёмкости измельчителя нет продуктов.
- Охлаждайте горячие продукты прежде, чем поместить их в ёмкость измельчителя.
- Следите за количеством продуктов, помещённых в ёмкость измельчителя и уровнем налитых жидкостей.
- Режущие кромки ножей-измельчителя и насадки-блендера острые и представляют опасность, обращайтесь с ножами-измельчителя и насадкой-блендер осторожно.
- Если во время работы произошла остановка ножей-измельчителя, выключите устройство, выньте вилку шнура питания из электрической розетки, снимите крышку-редуктор и удалите продукт, мешающий вращению ножей-измельчителя. При затруднении вращения ножей-измельчителя и насадки-блендера рекомендуется добавить в ёмкость измельчителя или в ёмкость, в которой используется насадка-блендер, воду, сок, отвар и т.д.
- Снимать моторный блок с ёмкости измельчителя можно только после отключения моторного блока от электрической сети.
- Запрещается помещать ёмкость измельчителя и мерный стакан в микроволновую печь.
- Не помещайте насадки и ёмкости в посудомоечную машину.
- Из соображений безопасности детей не оставляйте полиэтиленовые пакеты, используемые в качестве упаковки, без надзора.

**ВНИМАНИЕ!** Не разрешайте детям играть с полиэтиленовыми пакетами или упаковочной плёнкой.  
**Опасность удушья!**

- Устройство не предназначено для использования детьми.
- Осуществляйте надзор за детьми, чтобы не допустить использования устройства в качестве игрушки.
- Не разрешайте детям прикасаться к рабочей поверхности, к корпусу устройства, к шнуру питания или к вилке шнура питания во время работы устройства.
- Будьте особенно внимательны, если поблизости от работающего устройства находятся дети или лица с ограниченными возможностями.
- Во время работы и в перерывах между рабочими циклами размещайте устройство в местах, недоступных для детей.
- Прибор не предназначен для использования лицами (включая детей) с пониженными физически-

ми, психическими или умственными способностями, или при отсутствии у них опыта или знаний, если они не находятся под контролем или не проинструктированы лицом, ответственным за их безопасность, об использовании прибора.

- Периодически проверяйте целостность шнура питания.
- При повреждении шнура питания его замену, во избежание опасности, должны производить изготовитель, сервисная служба или подобный квалифицированный персонал.
- Запрещается самостоятельно ремонтировать устройство. Не разбирайте устройство самостоятельно, при возникновении любых неисправностей, а также после падения устройства отключите его от электросети и обратитесь сервисный центр.
- Во избежание повреждений перевозите устройство в заводской упаковке.
- Храните устройство в сухом прохладном месте, недоступном для детей и людей с ограниченными возможностями.

**УСТРОЙСТВО ПРЕДНАЗНАЧЕНО ТОЛЬКО ДЛЯ БЫТОВОГО ИСПОЛЬЗОВАНИЯ, ЗАПРЕЩАЕТСЯ ИСПОЛЬЗОВАТЬ УСТРОЙСТВО В КОММЕРЧЕСКИХ ИЛИ ЛАБОРАТОРНЫХ ЦЕЛЯХ.**

### **ПЕРЕД ПЕРВЫМ ИСПОЛЬЗОВАНИЕМ**

**После транспортировки или хранения устройства при отрицательной температуре, распа-**

**куйте его и подождите не менее 3 часов перед использованием.**

- Распакуйте устройство и удалите все упаковочные материалы.
- Сохраните заводскую упаковку.
- Ознакомьтесь с мерами безопасности и рекомендациями по эксплуатации.
- Проверьте комплектацию.
- Осмотрите устройство на наличие повреждений, при наличии повреждений не включайте его в сеть.
- Убедитесь, что указанные параметры напряжения питания устройства соответствуют параметрам электрической сети. При использовании устройства в электрической сети частотой 60 Гц, никаких дополнительных действий не требуется.
- Перед использованием устройства промойте насадку-венчик (7), чашу измельчителя (10), ножи-измельчителя (9), стакан (11), насадку-капучинатор (13) тёплой водой с нейтральным моющим средством, ополосните и просушите.
- У насадки-блендера (1) и насадки для картофельного пюре (12) промойте только нижнюю часть, внешнюю поверхность протрите слегка влажной тканью. Запрещается полностью погружать насадку-блендер (1) и насадку для картофельного пюре (12) в воду или любые другие жидкости.
- Моторный блок, крышку-редуктор измельчителя (8), редуктор насадки-венчика (6) протрите мягкой, слегка влажной тканью, после чего вытрите насухо.



**ВНИМАНИЕ!** Запрещается погружать насадку-блендер (1), моторный блок, крышку-редуктор (8), редуктор насадки-венчика (6), насадку для картофельного пюре (12), шнур питания и вилку шнура питания в воду или любые другие жидкости.

## ИСПОЛЬЗОВАНИЕ НАСАДКИ-БЛЕНДЕРА

**Время непрерывной работы с насадкой-блендером (1) не должно превышать 30 секунд. Между двумя рабочими циклами делайте перерыв не менее 3 минут.**

- Насадку-блендер (1) используйте для приготовления соусов, майонеза, фруктовых пюре, детских смесей, смешивания разнообразных ингредиентов, для переработки фруктов и овощей, содержащих достаточное количество сока.
- Перед установкой насадки-блендера (1) убедитесь в том, что вилка шнура питания не вставлена в электрическую розетку.
- Вставьте насадку-блендер (1) в моторный блок до срабатывания фиксаторов (2), убедитесь в надёжной фиксации насадки (рис.1).
- Вставьте вилку шнура питания в электрическую розетку.
- Погрузите насадку-блендер (1) в ёмкость с продуктами, которые вы хотите измельчить/перемешать, можно поместить продукты в стакан (11).

**ВНИМАНИЕ!** При переработке продуктов держите моторный блок с насадкой-блендером (1) вертикально (рис. 1).

- Для включения нажмите и удерживайте кнопку (4) «☉». Используйте этот режим работы для смешивания жидких продуктов.
- При нажатии и удержании кнопки (4) «☉» Вы можете регулировать скорость вращения насадки поворотом регулятора (5). Используйте этот режим работы для переработки жидких и твёрдых продуктов.
- Для работы в режиме максимальной скорости нажмите и удерживайте кнопку (3) «TURBO».

### Примечания:

- продукты помещаются в ёмкость до включения устройства. Объём перерабатываемых продуктов не должен превышать 2/3 от объёма ёмкости, в которой они перерабатываются.
- перед измельчением и смешиванием необходимо очистить фрукты от кожуры, удалить несъедобные части, такие как косточки, порезать фрукты кубиками размером около 15×15×15 мм, поместить их в ёмкость, затем добавить сок или воду, максимальный объём продуктов не должен превышать 350 г и 250 мл воды или сока.
- запрещается измельчать или смешивать замороженные продукты.

**ВНИМАНИЕ!** При измельчении твёрдых овощей, например, моркови, нарежьте морковь на мелкие кусочки 15×15×15 мм и поместите их в стакан (11), при этом максимальный вес моркови не должен превышать 150 г, и добавьте 250 мл воды.

- Для выключения вращения насадки-блендера (1) отпустите кнопку (3 или 4).
- После завершения работы выньте вилку шнура питания из электрической розетки и снимите насадку-блендер (1), нажав на кнопки фиксатора (2) (рис. 1).

### ВНИМАНИЕ!

- Во время работы запрещается снимать насадку-блендер (1).
- Во избежание повреждения ножей насадки-блендера (1) запрещается перерабатывать очень твёрдые продукты, такие как крупы, рис, зёрна кофе, твёрдые сорта сыра, замороженные продукты и т.п.
- Если во время работы с насадкой-блендером (1) возникают трудности в измельчении продуктов, необходимо добавить небольшое количество воды, сока, отвара и т.п.

### ИСПОЛЬЗОВАНИЕ ИЗМЕЛЬЧИТЕЛЯ

**Время непрерывной работы с насадкой измельчителем не должно превышать 30 секунд. Между двумя рабочими циклами делайте перерыв не менее 3 минут.**

- Насадка используется для измельчения мяса, сыра, лука, трав, чеснока, моркови, грецких орехов, чернослива, овощей или фруктов.

**ВНИМАНИЕ!** Запрещается измельчать очень твёрдые продукты, такие как мускатный орех, зёрна кофе, злаки, а также замороженные продукты или лёд.

### ПОДГОТОВКА ПРОДУКТОВ ПЕРЕД ИЗМЕЛЬЧЕНИЕМ:

- Удалите из мяса кости, жилы, хрящи и жир.
- Нарезьте мясо, сыр, лук, овощи или фрукты кусочками приблизительно 60x20x20 мм. Максимальный вес мяса не должен превышать 250 г.
- Удалите у трав стебли, очистите орехи от скорлупы.

### ИЗМЕЛЬЧЕНИЕ

**Перед сборкой измельчителя убедитесь в том, что вилка шнура питания не вставлена в электрическую розетку.**

- Установите ёмкость измельчителя (10) на ровную и устойчивую поверхность.
- Установите верхний нож-измельчителя на нижний и поверните его по часовой стрелке до упора, установите ножи (9) на ось внутри ёмкости (10). При наличии на ножах-измельчителя (9) защитной крышки, соблюдая осторожность, снимите её.

**Внимание:** лезвия ножей-измельчителя (9) очень острые! Всегда держите ножи-измельчителя (9) за пластмассовый хвостовик.

- Поместите продукты в ёмкость (10).

**Примечание:** не включайте устройство с пустой ёмкостью (10).

- Установите крышку-редуктор (8) на ёмкость (10) и поверните её по часовой стрелке до упора.
- Нажмите на фиксаторы (2) и установите моторный блок на горловину крышки-редуктора (8),

убедитесь в надежной фиксации моторного блока. Устанавливайте моторный блок вертикально и без перекосов (рис. 2).

- Вставьте вилку шнура питания в электрическую розетку.
- Для включения нажмите и удерживайте кнопку (4) «⊙».
- При нажатии и удержании кнопки (4) «⊙», Вы можете регулировать скорость вращения ножей-измельчителя (9) поворотом регулятора (5).
- Для работы в режиме максимальной скорости нажмите и удерживайте кнопку (3) «TURBO».
- Во время работы держите моторный блок одной рукой, а ёмкость измельчителя (10)- придерживайте другой рукой.
- Для выключения отпустите кнопку (3 или 4).
- После использования устройства дождитесь полной остановки вращения ножей-измельчителя (9).
- Выньте вилку шнура питания из электрической розетки.
- Отсоедините моторный блок от крышки-редуктора (8), нажав на кнопки фиксатора (2) (рис. 2).
- Снимите крышку-редуктор (8) с ёмкости (10), повернув её против часовой стрелки.
- Соблюдая осторожность, выньте из ёмкости (10) ножи-измельчителя (9), держа за пластмассовый хвостовик.
- Извлеките измельчённые продукты из ёмкости (10).

#### Количество продуктов и время их переработки:

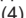
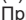
Продукт	Максимальный вес	Время
Мясо	200 г	30 сек
Травы	50 г	10 сек
Миндаль	150 г	20 сек
Сыр	100 г	10 сек
Сухари	80 г	10 сек
Лук	200 г	20 сек
Печенье	150 г	10 сек
Мягкие фрукты	200 г	10 сек

#### ИСПОЛЬЗОВАНИЕ НАСАДКИ-ВЕНЧИКА

**Время непрерывной работы с насадкой-венчиком (7) не должно превышать 30 секунд. Между двумя рабочими циклами делайте перерыв не менее 3 минут.**

**ВНИМАНИЕ!** Запрещается использовать насадку-венчик (7) для замешивания крутого теста.

- Насадка-венчик (7) используется только для взбивания яичного белка, приготовления лёгкого теста или для перемешивания готовых десертов.
- Перед установкой насадки-венчика (7) убедитесь

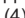
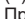
- в том, что вилка шнура питания не вставлена в электрическую розетку.
- Вставьте насадку-венчик (7) в редуктор венчика (6).
  - Вставьте редуктор венчика (6) в моторный блок до срабатывания фиксаторов (2), убедитесь в надёжной фиксации редуктора (6) и венчика (7) (рис. 3).
  - Вставьте вилку шнура питания в электрическую розетку.
  - Опустите насадку-венчик (7) в подходящую ёмкость, в которую Вы поместили продукты. Можно поместить продукты в стакан (11).
  - Для включения нажмите и удерживайте кнопку (4) «».
  - При нажатии и удержании кнопки (4) «» Вы можете регулировать скорость вращения насадки-венчика поворотом регулятора (5).
  - Для работы в режиме максимальной скорости нажмите и удерживайте кнопку (3) «TURBO».
  - Для выключения отпустите кнопку (3 или 4).
  - После использования устройства выньте вилку шнура питания из электрической розетки, отсоедините редуктор венчика (6) от моторного блока, нажав на кнопки фиксатора (2) (рис. 3).
  - Выньте насадку-венчик (7) из редуктора (6).

### НАСАДКА ДЛЯ КАРТОФЕЛЬНОГО ПЮРЕ

**Время непрерывной работы с насадкой для картофельного пюре (12) не должно превышать 30 секунд. Между двумя рабочими циклами делайте перерыв не менее 3 минут.**

- Перед установкой насадки (12) убедитесь в том, что вилка шнура питания не вставлена в электрическую розетку.
- Вставьте насадку (12) в моторный блок (до срабатывания фиксаторов (2), убедитесь в надёжной фиксации насадки (12).
- Вставьте вилку шнура питания в электрическую розетку.
- Погрузите насадку (12) в ёмкость с отварным картофелем.

**ВНИМАНИЕ!** При приготовлении картофельного пюре держите моторный блок с насадкой (12) вертикально (рис. 4).

- Для включения нажмите и удерживайте кнопку (4) «».
- При нажатии и удержании кнопки (4) «», Вы можете регулировать скорость вращения насадки поворотом регулятора (5).
- Для работы в режиме максимальной скорости, нажмите и удерживайте кнопку (3) «TURBO».
- Во время приготовления картофельного пюре добавляйте подогретое молоко или картофельный отвар.
- Для выключения отпустите кнопку (3 или 4).
- По завершению работы выньте вилку шнура питания из электрической розетки, снимите насадку (12), нажав на кнопки фиксатора (2) (рис. 4).
- Промойте нижнюю часть насадки (12), наружную часть корпуса насадки (12) протрите влажной тканью, запрещается полностью погружать насадку (12) в воду или другие жидкости.

## НАСАДКА-КАПУЧИНАТОР

**Время непрерывной работы с насадкой-капучинатором (13) не должно превышать 30 секунд. После двух циклов работы, делайте перерыв не менее 3 минут.**

- Насадка-капучинатор (13) используется только для взбивания молочной пенки.
- Перед установкой насадки (13) убедитесь в том, что вилка шнура питания не вставлена в электрическую розетку.
- Вставьте насадку (13) в редуктор (6).
- Вставьте редуктор (6) в моторный блок до срабатывания фиксаторов (2), убедитесь в надежной фиксации редуктора (6) и насадки (13) (рис. 5).
- Вставьте вилку шнура питания в электрическую розетку.
- Опустите насадку (13) в подходящую ёмкость, в которую вы налили охлаждённое молоко или сливки. Можно поместить продукты в стакан (11).
- Для включения нажмите и удерживайте кнопку (4) «☉».
- При нажатии и удержании кнопки (4) «☉», Вы можете регулировать скорость вращения насадки капучинатор (13) поворотом регулятора (5).
- Для работы в режиме максимальной скорости нажмите и удерживайте кнопку (3) «TURBO».
- Для выключения отпустите кнопку (3 или 4).
- После использования устройства выньте вилку шнура питания из электрической розетки, отсоедините редуктор (6) от моторного блока, нажав на кнопки фиксатора (2) (рис. 5).

- Выньте насадку-капучинатор (13) из редуктора (6).

## ЧИСТКА

**ВНИМАНИЕ!** Лезвия ножей-измельчителя (9) очень острые и могут представлять опасность. Обращайтесь с ножами-измельчителя (9) крайне осторожно!

- После использования устройства выньте вилку шнура питания из электрической розетки.
- Промойте насадку-венчик (7), чашу измельчителя (10), ножи-измельчителя (9), стакан (11), насадку-капучинатор (13) тёплой водой с нейтральным моющим средством, ополосните и просушите их.
- У насадки-блендера (1) и насадки (12) промывайте только нижнюю часть, внешнюю поверхность протрите слегка влажной тканью. Запрещается полностью погружать насадку-блендер (1), насадку для картофельного пюре (12) в воду или любые другие жидкости.
- Моторный блок, крышку-редуктор (8), редуктор насадки-венчика (6) протрите мягкой, слегка влажной тканью, после чего вытрите насухо.
- После переработки солёных или кислых продуктов необходимо сразу ополоснуть водой насадку-блендер (1) или ножи-измельчителя (9).

## ХРАНЕНИЕ

- Перед тем, как убрать устройство на длительное хранение, проведите чистку деталей устройства.
- Запрещается наматывать шнур питания на моторный блок.

- Храните устройство в сухом прохладном месте, недоступном для детей и людей с ограниченными возможностями.

### КОМПЛЕКТ ПОСТАВКИ

1. Моторный блок — 1 шт.
2. Насадка-блендер — 1 шт.
3. Редуктор венчика — 1 шт.
4. Насадка-венчик — 1 шт.
5. Крышка-редуктор — 1 шт.
6. Ножи-измельчителя — 2 шт.
7. Ёмкость измельчителя — 1 шт.
8. Стакан — 1 шт.
9. Насадка для картофельного пюре — 1шт.
10. Насадка-капучинатор – 1 шт.
11. Инструкция — 1 шт

### ТЕХНИЧЕСКИЕ ХАРАКТЕРИСТИКИ

- Электропитание: 220-240 В, ~ 50-60 Гц
- Номинальная потребляемая мощность: 1500 Вт
- Стакан – 800 мл
- Ёмкость измельчителя - 600 мл

### УТИЛИЗАЦИЯ



Чтобы предотвратить возможный вред окружающей среде или здоровью людей от неконтролируемой утилизации отходов, после окончания срока службы устройства или элементов питания (если входят в комплект), не выбрасывайте их вместе с обычными бытовыми отходами, передайте прибор и элементы питания в специализированные пункты для дальнейшей утилизации.

Отходы, образующиеся при утилизации изделий, подлежат обязательному сбору с последующей утилизацией в установленном порядке.

Для получения дополнительной информации об утилизации данного продукта обратитесь в местный муниципалитет, службу утилизации бытовых отходов или в магазин, где Вы приобрели данный продукт.

Производитель сохраняет за собой право изменять дизайн, конструкцию и технические характеристики, не влияющие на общие принципы работы устройства, без предварительного уведомления.

### Срок службы устройства — 3 года

Дата производства указана в серийном номере.

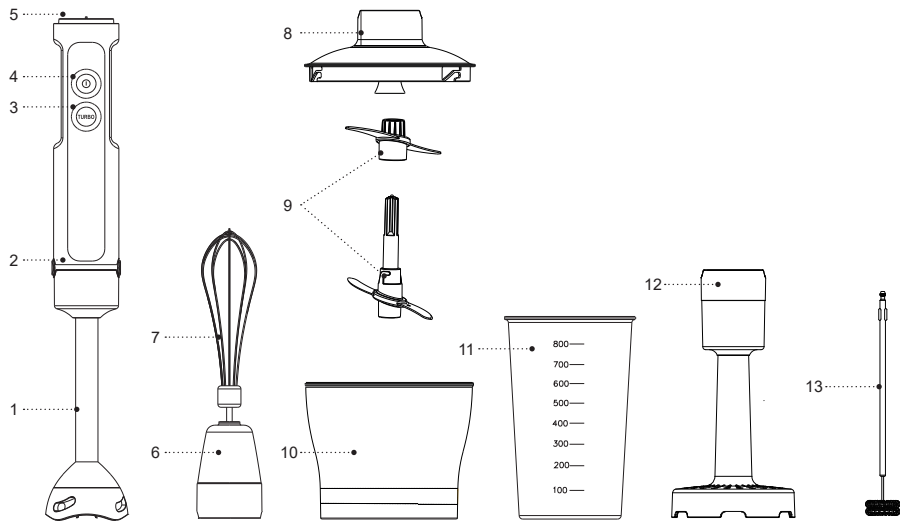
В случае обнаружения каких-либо неисправностей необходимо обратиться в авторизованный сервисный центр.

## БЛЕНДЕР BR1256

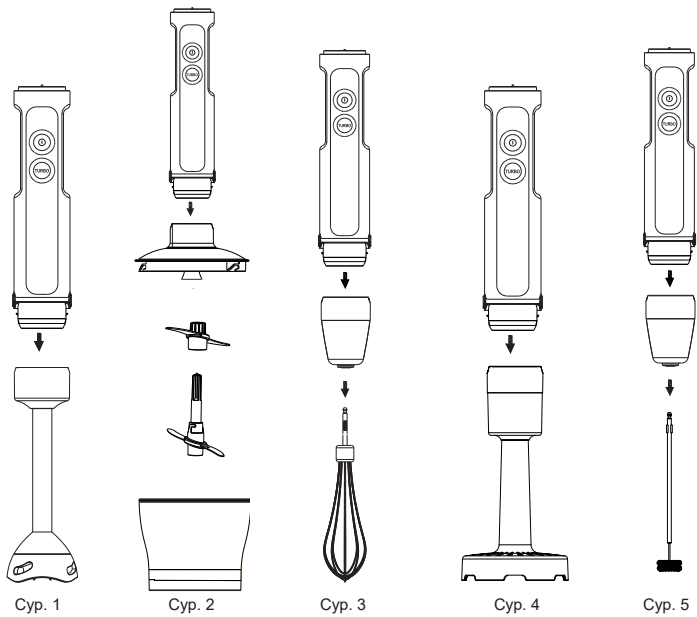
Блендерлік жинақ қатты және сұйық өнімдерді бірге ұсақтауға, араластыруға, өңдеуге, сонымен қатар картоп езбесін жасауға арналған.

### ОПИСАНИЕ

1. Қондырма-блендер
2. Қондырма бекіткішінің түймелері
3. «TURBO» жылдамдығын қосу батырмасы
4. Жылдамдығын қосу батырмасы «©»
5. Айналдыру жылдамдығының реттегіші
6. Бұлғауыш-қондырмасының редукторы
7. Бұлғауыш-қондырма
8. Ұсақтағыштың қақпақ-редукторы
9. Ұсақтағыш-пышақ
10. Ұсақтағыш сыйымдылығы
11. Стақан
12. Картоп езбесіне арналған қондырма
13. Капучинатор саптамасы







## ҚАУІПСІЗДІК ШАРАЛАРЫ ЖӘНЕ ПАЙДАЛА- НУ БОЙЫНША НҮСҚАУЛЫҚ

**Құрылғыны пайдалану алдында пайдалану нұсқаулығын мұқият оқып шығыңыз, оқыған соң бөлшақта пайдалану үшін сақтап қойыңыз.**

- Құрылғыны осы нұсқаулықта баяндалғандай, оның тікелей мақсаты бойынша ғана пайдаланыңыз.
- Құрылғыны дұрыс қолданбау оның бұзылуына, және пайдаланушыға немесе оның мүлкіне зиян келтіруге әкелуі мүмкін және кепілдік жағдайы болып табылмайды.
- Заттаңбада көрсетілген құрылғының жұмыс кернеуі электр желісінің кернеуіне сәйкес екеніне көз жеткізіңіз.

**НАЗАР АУДАРЫҢЫЗ! Қондырмалармен үздіксіз жұмыс уақытының ұзақтығы 30 секундтан аспауы тиіс. Екі жұмыс циклынан соң, кемінде 3 минут үзіліс жасаңыз.**

- Құрылғыны үй-жайдан тыс жерде пайдалануға тыйым салынады.
- Найзағай кезінде құрылғыны пайдалану ұсынылмайды.
- Құрылғыны соққыдан, құлаудан, дірілден және басқа да механикалық әсерлерден сақтаңыз.
- Желіге қосылған құрылғыны қараусыз қалдырмаңыз.
- Құрылғыны жылу көздерінің, жылыту аспаптарының немесе ашық оттың тікелей жанында пайдаланбаңыз.

- Құрылғыны аэрозольдар пайдаланылатын немесе шашырайтын жерлерде, сондай-ақ тез тұтанатын сұйықтықтарға жақын жерлерде пайдалануға тыйым салынады.
- Құрылғыны ас үй раковинасына жақын, жуынатын бөлмеде, бассейндер немесе басқа да су толтырылған сыйымдылықтарға жақын жерде пайдаланбаңыз.
- Егер құрылғы суға құлап кетсе, дереу қуаттандыру бауының ашасын электр розеткасынан сурыңыз, содан кейін ғана құрылғыны судан алып шығуға болады. Құрылғыны тексерту немесе жөндету үшін сервис орталығына жүгініңіз.
- Қуаттандыру бауы ыстық беттерге және жиһаздың өткір жиектеріне тиюін болдырмаңыз.
- Құрылғыны пайдаланып болғаннан кейін немесе тазалау алдында электр желісінен сөндіріңіз. Құрылғыны электр желісінен ажыратқан кезде тек қуаттандыру бауының ашасынан ұстаңыз және оны электр розеткасынан абайлап шығарыңыз, қуаттандыру бауынан тартпаңыз — бұл оның зақымдануына әкелуі және қысқа тұйықталуын тудыруы мүмкін.
- Құрылғы корпусына, қуаттандыру бауына және қуаттандыру бауының ашасына сулы қолыңызбен тиіспеңіз.
- Құрылғыны алғаш пайдалану алдында өнімдермен түйісетін, барлық шешіlmелі қондырмалар мен сыйымдылықтарды жақсылап жуыңыз.
- Жеткізілім жиынтығына кіретін бөлшектерді ғана пайдаланыңыз.
- Құрылғының айналып жатқан бөлшектеріне тиіспеңіз. Блендер-қондырмасы пышағының немесе

- бұлғауышының айналатын аймағына шаштың немесе киімнің салбыраған элементтері түсуіне жол бермеңіз.
- Құрылғыны пайдалану алдында қондырмалардың дұрыс орнатылғанына және бекітілгендігіне көз жеткізіңіз.
  - Ұсақтағыш сыйымдылығын тегіс және тұрақты бетке орналастырыңыз.
  - Ұсақтағыш сыйымдылығына өнімдерді құрылғыны қосқанға дейін салыңыз, егер ұсақтағыш сыйымдылығы ішінде өнімдер болмаса, құрылғыны қосуға тыйым салынады.
  - Ыстық өнімдерді ұсақтағыш сыйымдылығына салардан бұрын оларды салқындатыңыз.
  - Ұсақтағыш сыйымдылығына салынған өнімдер мөлшері мен құйылған сұйықтықтың деңгейін бақылаңыз.
  - Ұсақтағыш-пышақтың және қондырма-блендердің кескіш жиектері өткір және қауіп төндіреді, ұсақтағыш-пышақты және қондырма-блендерді абайлап ұстаңыз.
  - Егер жұмыс кезінде пышақтардың айналуы тоқтаса, құрылғыны өшіріңіз, розеткадан қуаттандыру бауының ашасын суырыңыз, қақпақ-редукторды шешіп алыңыз және ұсақтағыш-пышақтардың айналуына кедергі келтірген өнімді алып тастаңыз. Ұсақтағыш-пышақтың және қондырма-блендердің айналуы қиындаған кезде, ұсақтағыш сыйымдылығына немесе қондырма-блендер пайдаланылатын сыйымдылық ішіне су, шырын, қайнатпа және т. б. қосу ұсынылады.

- Мотор блогын электр желісінен ажыратқаннан кейін ғана, ұсақтағыш сыйымдылығынан мотор блогын шешіп алуға болады.
- Ұсақтағыш тостағаны мен өлшеуіш стақанды микротолқынды пешке салуға тыйым салынады.
- Қондырғылар мен сыйымдықтарды ыдыс жуу машинасына салмаңыз.
- Балалардың қауіпсіздігі үшін қаптама ретінде пайдаланылатын, полиэтилен пакеттерді қадағалаусыз қалдырмаңыз.

**НАЗАР АУДАРЫҢЫЗ!** Балаларға полиэтилен пакеттерімен немесе қаптама үлдірімен ойнауға рұқсат етпеңіз. **Тұншығу қаупі бар!**

- Құрылғы балалардың пайдалануына арналмаған.
- Құрылғыны ойыншық ретінде пайдалануын болдырмау үшін, балаларды қадағалаңыз.
- Құрылғы жұмыс істеп тұрғанда балалар жұмыс бетіне, құрылғы корпусына, қуаттандыру бауына немесе қуаттандыру бауының ашасына тиісуіне рұқсат бермеңіз.
- Егер жұмыс істеп тұрған құрылғының маңында балалар немесе мүмкіндіктері шектеулі адамдар болса, онда ерекше назарда болыңыз.
- Жұмыс істеу уақытында және жұмыс циклдері арасындағы үзілістерде құрылғыны балалардың қолы жетпейтін жерде орналастырыңыз.
- Аспап дене, жүйке немесе сана мүмкіндіктері төмендетілген тұлғалардың (балаларды қоса) пайдалануына арналмаған, сондай-ақ егер олардың тәжірибесі немесе білімі болмаса, егер

- олар бақыланбаса немесе олардың қауіпсіздігі үшін жауап беретін тұлғамен аспапты пайдалану туралы нұсқаулықтар берілмесе.
- Қуаттандыру бауының бүтіндігін мезгілімен тексеріп отырыңыз.
  - Қуаттандыру бауы зақымданғанда қауіп тудырмау үшін оны дайындаушы, сервистік қызмет немесе баламалы білікті маман ауыстыруы тиіс.
  - Құрылғыны өздігіңізден жөндеуге тыйым салынады. Құрылғыны өз бетіңізбен бөлшектемеңіз, кез-келген ақаулықтар пайда болған кезде, сондай-ақ құрылғы құлағаннан кейін, оны электр желісінен ажыратыңыз және сервис орталығына жүгініңіз.
  - Құрылғының зақымдануын болдырмау үшін зауыт қаптамасында тасымалдаңыз.
  - Құрылғыны салқын және құрғақ, балалардың және мүмкіндігі шектеулі адамдардың қолы жетпейтін жерде сақтаңыз.

**ҚҰРЫЛҒЫ ТЕК ТҰРМЫСТЫҚ ПАЙДАЛАНУҒА АРНАЛҒАН, ҚҰРЫЛҒЫНЫ КОМЕРЦИЯЛЫҚ НЕМЕСЕ ЗЕРТХАНАЛЫҚ МАҚСАТТАРДА ПАЙДАЛАНУҒА ТЫЙЫМ САЛЫНАДЫ.**

## **АЛҒАШ РЕТ ПАЙДАЛУ АЛДЫНДА**

Құрылғыны кері температурада тасымалдағаннан немесе сақтағаннан кейін оны қаптамадан шығарыңыз және пайдаланудың алдында 3 сағаттан кем емес уақыт күтіңіз.

- Құрылғыны қаптамадан шығарыңыз және барлық қаптама материалдарын жойыңыз.
- Зауыт қаптамасын сақтап қойыңыз.
- Қауіпсіздік шаралары мен пайдалану нұсқауларымен танысыңыз.
- Жинақталымын тексеріңіз.
- Құрылғыны зақымдануына қатысты тексеріп алыңыз, зақымдануы болған жағдайда оны желіге қоспаңыз.
- Құрылғының көрсетілген қуаттандыру кернеуі параметрлері электр желісінің параметрлеріне сәйкес келетініне көз жеткізіңіз. Құралды 60 Гц жиіліктегі электр желісінде пайдаланғанда, ешқандай қосымша әрекет талап етілмейді.
- Құрылғыны пайдаланар алдында шайқағыш саптаманы (7), ұсақтағыш сыйымдылығын (10), ұсақтағыш-пышақты(9), стақанды (11), капучинатор қондырмасын (13) бейтарап жуғыш заты бар, жылы сумен шайыңыз және құрғатыңыз.
- Блендер-қондырамасының (1) және картоп езбесіне (12) арналған қондырма төменгі бөлігін ғана жуыңыз, сыртық бетін сәл дымыл матамен сүртіңіз. Қондырама-блендерді (1) және картоп езбесіне (12) арналған қондырма суға немесе кез-келген басқа сұйықтықтарға салуға тыйым салынады.
- Моторлық блокты, ұсақтағыштың редуктор-қақпағын (8), бұлғауыш қондырмасының редукторын (6) сәл дымқыл, жұмсақ матамен сүртіп, содан кейін құрғатып сүртіңіз.

**НАЗАР АУДАРЫҢЫЗ!** Қондырама-блендерді (1), моторлық блокты, редуктор-қақпақты (8), бұлғауыш қондырмасының редукторын (6), картоп езбесіне (12) арналған қондырма, қуаттандыру бауын және қуаттандыру бауының ашасын суға немесе кез-келген басқа сұйықтықтарға батыруға тыйым салынады.

### САПТАМА-БЛЕНДЕРДІ ПАЙДАЛАНУ

**Блендер-саптамасымен (1) үздіксіз жұмыс істеу уақыты 30 секундтан аспауы тиіс. Екі жұмыс циклынан кейін кем дегенде 3 минут үзіліс жасаңыз.**

- Қондырма-блендерді (1) тұздықтар, майонез, жеміс пюресі, балалар қоспаларын дайындау үшін, әр түрлі ингредиенттерді араластыру үшін, жеткілікті мөлшерде шырыны бар жемістер мен көкөністерді өңдеу үшін пайдаланыңыз.

**Қондырма-блендерді (1) орнату алдында қуаттандыру бауының ашасы электр розеткасына салынбағанына көз жеткізіңіз.**

- Қондырма-блендерді (1) бекітікіштер (2) іске қосылғанға дейін моторлық блокқа салыңыз, қондырманың сенімді бекітілгендігіне көз жеткізіңіз (1-сурет).
- Қуаттандыру бауының ашасын электр розеткасына салыңыз.
- Қондырма-блендерді (1) сіздің ұсақтағыңыз/араластырғыңыз келген өнім салынған сыйымдылыққа салыңыз, өнімдерді стақанға (11) салуға болады.

**НАЗАР АУДАРЫҢЫЗ!** Өнімдерді өңдеу кезінде қондырма-блендері (1) бар моторлық блокты тігінен ұстаңыз (сур. 1).

- Қосу үшін батырманы (4) «⊕» басыңыз және ұстап тұрыңыз. Бұл жұмыс режимін сұйық өнімдерді араластыру үшін пайдаланыңыз.
- Батырманы (4) «⊙» басқанда және ұстап тұрғанда, Сіз реттегішті (5) бұрап қондырманың айналу жылдамдығын реттей аласыз. Осы жұмыс режимін сұйық және қатты өнімдерді өңдеу үшін пайдаланыңыз.
- Максималды жылдамдық режимінде жұмыс істеу үшін батырмасын (3) «TURBO» басыңыз және ұстап тұрыңыз.
- **Ескертпе:**
  - өнімдер сыйымдылыққа құрылғы іске қосылғанға дейін салынады. Өндірілетін өнімдердің көлемі оларды өңдейтін сыйымдылық көлемінің 2/3 бөлігінен аспауы керек.
  - ұсақтау және араластыру алдында жемістерді қабығынан, сүйектер сияқты жеуге жарамсыз бөліктерден тазарту қажет, жемістерді 15×15×15 мм өлшемдегі текшелерге кесіп, оларды сыйымдылыққа салып, содан кейін шырын немесе су қосу қажет, өнімдердің максималды көлемі 350 г және 250 мл су немесе шырыннан аспауы тиіс.
  - мұздатылған өнімдерді ұсақтауға немесе араластыруға тыйым салынады.

**НАЗАР АУДАРЫҢЫЗ!**

Қатты көкөністерді ұсақтаған кезде, мысалы, сәбізді 15×15×15 мм ұсақ бөліктерге кесіңіз және оларды стақанға (11) салыңыз, бұл ретте сәбіз салмағы 150 г аспауы тиіс, және 250 мл су қосыңыз.

- Қондырма-блендердің (1) айналуын өшіру үшін батырмасын (3 немесе 4) босатыңыз.
- Жұмысты аяқтағаннан кейін қуаттандыру бауының айырын электрлік розеткадан шығарыңыз және бекіткіштің (2) түймелерін басып, қондырма-блендерді (1) шешіңіз (1-сурет).

**НАЗАР АУДАРЫҢЫЗ!**

- Жұмыс кезінде қондырма-блендерді (1) шешіп алуға тыйым салынады.
- Қондырма-блендер (1) пышақтарының зақымдануын болдырмау үшін жарма, күріш, кофе дәндері, ірімшіктің қатты сұрыптарын, мұздатылған өнімдерді және т. б. осы сияқты өте қатты өнімдерді өңдеуге тыйым салынады.
- Егер қондырма-блендермен (1) жұмыс кезінде өнімдерді ұсақтауда қиындықтар туындаса, судың, шырынның, қайнатпаның және т. б. аздаған мөлшерін қосу қажет.

**ҰСАҚТАҒЫШТЫ ПАЙДАЛАНУ**

Ұсатқыш қондырмасымен үздіксіз жұмыс істеу уақыты 30 секундтан аспауы тиіс. Екі жұмыс циклдарының арасында кем дегенде 3 минут үзіліс жасаңыз.

- Қондырма етті, сырды, пиязды, шөптерді, сарымсақты, сәбізді, грек жаңғағын, қара өрікті, жемістер немесе көкөністерді ұсақтау үшін қолданылады.

**НАЗАР АУДАРЫҢЫЗ!** Өте қатты өнімдерді, яғни жұпар жаңғағы, кофе дәндері, дақылдар, сондай-ақ мұз және мұздатылған өнімдер сияқтыларды ұсақтауға тыйым салынады.

**ҰСАҚТАУ АЛДЫНДА ӨНІМДЕРДІ ДАЙЫНДАУ:**

- Еттің сүйектерін, сіңірлерін және шеміршектерін және майларын алып тастаңыз.
- Етті, сырды, пиязды, жемістерді және көкөністерді шамамен 60х20х20 мм кесектерге тураңыз. Еттің максималды салмағы 200 грамнан аспауға тиіс.
- Шөптердің сабағын алып тастаңыз, жаңғақтарды қабығынан тазартыңыз.

**ҰСАҚТАУ**

- Құрастыру алдында, желілік баудың айыртетігі ашалыққа салынбағанына көз жеткізіңіз.
- Ұсақтауыш ыдысын (10) тегіс және тұрақты бетке қойыңыз.
- Үстіңгі ұсақтағыш пышақты астыңғысына орнатыңыз және оны тоқтағанша сағат тілімен бұраңыз, пышақтарды (9) ыдыстың (10) ішіндегі оське орнатыңыз. Ұсақтауыш пышақтарында (9) қорғаныс қақпағы болса, оны абайлап алыңыз.

**Назар аударыңыз:** ұсақтағыш-пышақтың (9) жүзі өте өткір! Ұсақтағыш-пышағын (9) әрқашан пластмассалы ілмегінен ұстаңыз.

- Өнімдерді тостағанға (10) салыңыз.

**Ескертпе:** тостағаны (10) бос құрылғыны қосыпаңыз.

- Редуктор-қақпақты (8) тостағанға (10) орнатыңыз және оны сағат тілі бойынша түбіне дейін бұраңыз.
- Бекіткіштерді (2) басыңыз және мотор блогын редуктор-қақпағының мойнына (8) орнатыңыз, мотор блогының сенімді бекітілгеніне көз жеткізіңіз. Моторлық блокты тігінен және қисаюсыз орнатыңыз (сур. 2).
- Қуаттандыру бауының айырын электр розеткасына салыңыз.
- Қосу үшін батырманы (4) «☉» басыңыз және ұстап тұрыңыз.
- Батырманы (4) «☉» басып ұстап тұрған кезде, сіз реттегішті (5) бұру арқылы ұсақтағыш-пышақтарының айналу (9) жылдамдығын реттей аласыз.
- Максималды жылдамдық режимінде жұмыс істеу үшін (3) «TURBO» батырмасын басып ұстап тұрыңыз.
- Жұмыс істеу уақытында моторлық блокты бір қолыңызбен, ал ұсақтағыш тостағанын (10)- басқа қолыңызбен ұстаңыз.
- Өшіру үшін (3 немесе 4) батырманы босатыңыз.
- Құрылғыны пайдаланып болғаннан кейін ұсақтағыш-пышақтың (9) толық тоқтағанын күтіңіз.
- Қуаттандыру бауының ашасын электр розеткасынан шығарыңыз.
- Мотор блогын бәсеңдеткіш қақпағынан, құлыптау түймелерін басу арқылы (2), ажыратыңыз (8) (сур. 2).
- Редуктор-қақпағын (8) сыйымдылықтан (10) сағат тіліне қарсы бұрап шешіп алыңыз.

- Сақтықпен ұсақтағыш пышақтарды (9) пластик сапты ұстай отырып, ыдыстан (10) алыңыз.
- Туралған өнімдерді ыдыстан (10) алыңыз.

**Азықтардың көлемі және оларды қайта өңдеу уақыты:**

Азық	Максималдық салмағы	Уақыты
Ет	200 г	30 сек
Шөптер	50 г	10 сек
Бадам	150 г	20 сек
Ірімшік	100 г	10 сек
Кептірілген нан	80 г	10 сек
Пияз	200 г	20 сек
Печенье	150 г	10 сек
Жұмсақ жемістер	200 г	10 сек

### **БЫЛҒАУЫШ-ҚОНДЫРМАНЫ ПАЙДАЛАНУ**

**Былғауыш-қондырмамен (7) үздіксіз жұмыс істеу уақыты 30 секундтан аспауы тиіс. Екі жұмыс циклдарының арасында кем дегенде 3 минут үзіліс жасаңыз.**

**НАЗАР АУДАРЫҢЫЗ!** Бұлғауыш-қондырманы (7) қою қамырды илеу үшін пайдалануға тыйым салынады.

- Бұлғауыш-қондырмасын (7) тек крем, жұмыртқа ақуызын шайқауға, бисквит қамырын дайындауға немесе дайын десерттерді араластыруға ғана пайдаланыңыз.

**Бұлғауыш-қондырманы (7) орнату алдында қуаттандыру бауының ашасы электр розеткасына салынбағанына көз жеткізіңіз.**

- Бұлғауыш-қондырманы (7) бұлғауыш редукторына (6) салыңыз.
- Бұлғауыш қондырманы (6) моторлық блокқа салыңыз және оны сағат тіліне қарсы бұраңыз, редуктор (6) мен бұлғауыштың (7) сенімді бекітілгеніне көз жеткізіңіз (сур. 3).
- Қуаттандыру бауының ашасын электр розеткасына салыңыз.
- Бұлғауыш-қондырманы (7) өнімдерді Сіз салған ыңғайлы сыйымдылыққа салыңыз. Сіз өнімдерді стақанға (11) сала аласыз.
- Қосу үшін батырманы (4) «☉» басыңыз және ұстап тұрыңыз.
- Батырмасын (4) «☉» басқанда және ұстап тұрғанда, Сіз
- бұлғауыш-қондырманың реттегішін (5) бұрау арқылы айналдыру жылдамдығын реттей аласыз.
- Максималды жылдамдық режимінде жұмыс істеу үшін батырмасын (3) «TURBO» басыңыз және ұстап тұрыңыз.
- Сөндіру үшін батырманы (3) немесе (4) босатыңыз.
- Құрылғыны пайдаланып болғаннан кейін қуат-

тандыру бауының ашасын электр розеткасынан шығарыңыз, бұлғауыш редукторын (6) сағат тілі бойынша бұрап, бұлғауыш редукторын (6) моторлық блоктан ажыратыңыз (Сур. 3).

- Бұлғауыш-қондырманы (7) редуктордан (6) шығарыңыз.

### **КАРТОП ЕЗБЕСІН ЖАСАУҒА АРНАЛҒАН ҚОНДЫРМА**

**Картоп езбесін жасауға арналған қондырмамен (12) үздіксіз жұмыс істеу уақыты 30 секундтан аспауы тиіс. Екі жұмыс циклдарының арасында кем дегенде 3 минут үзіліс жасаңыз.**

- Қондырманы (12) орнату алдында қуаттандыру бауының айыры электрлік розеткаға салынбағанына көз жеткізіңіз (рис. 4).
- Қондырманы (12) моторлық блокқа салыңыз және оны сағат тіліне қарсы тірелгенге дейін бұраңыз, қондырманың (12) сенімді бекітілгеніне көз жеткізіңіз.
- Қуаттандыру бауының айырын электрлік розеткаға салыңыз.
- Қондырманы (12) піскен картобы бар ыдысқа салыңыз.

**НАЗАР АУДАРЫҢЫЗ!** Картоп езбесін дайындау кезінде қондырмасы (12) бар моторлық блокты тік ұстаңыз (4-сурет)

- Қосу үшін түймені (4) «☉» басыңыз және ұстап тұрыңыз.



- Түймені (4) «☉» басып, ұстап тұрған кезде сіз реттегішті (5) бұрау арқылы қондырманың айналу жылдамдығын реттей аласыз.
- Максималдық жылдамдық тәртібінде жұмыс істеу үшін «TURBO» түймесін (3) басып, ұстап тұрыңыз.
- Картоп езбесін дайындаған кезде қыздырылған сүтті немесе картоп тұнбасын қосыңыз.
- Өшіру үшін түймені (3 немесе 4) босатыңыз.
- Жұмыс аяқталғаннан кейін желілік баудың айырын электрлік розеткадан шығарыңыз, қондырманы (12) сағат тілі бағыты бойынша бұрып.
- Қондырманың (12) төменгі бөлігін жуыңыз, қондырма (12) корпусының сыртқы бөлігін дымқыл матамен сүртiңiз, қондырманы (12) толығымен суға немесе басқа сұйықтықтарға салуға тыйым салынады.

### КАПУЧИНАТОР ҚОНДЫРМАСЫ

- Капучинатор-қондырмасымен (13) үздіксіз жұмыс істеу уақыты 30 секундтан аспауы тиіс. Екі жұмыс циклдарының арасында кем дегенде 3 минут үзіліс жасаңыз.
- Капучинатор қондырмасы (13) тек сүт көбігін шайқау үшін қолданылады.
- Қондырманы (13) орнату алдында қуат сымның ашасы электр розеткасына салынбағанына көз жеткізіңіз.
- Қондырманы (13) редукторға (6) салыңыз.
- Редукторды (6) мотор блогына, бекіткіштер

қосылғанша салыңыз (2), редуктордың (6) және саптаманың (13) сенімді бекітілгеніне көз жеткізіңіз (сур. 5).

- Қуаттандыру бауының айырын электр розеткасына салыңыз.
- Қондырманы (13) салқындатылған сүт немесе кілегей құйылатын қолайлы контейнерге салыңыз. Өнімдерді стақанға (11) салуға болады.
- Қосу үшін батырманы (4) «☉» басыңыз және ұстап тұрыңыз.
- «☉» түймесін (4) басып, ұстап тұру арқылы тұтқаны (5) бұрау арқылы капучино қондырманың (13) айналу жылдамдығын реттеуге болады.
- Максималды жылдамдық режимінде жұмыс істеу үшін (3) «TURBO» батырмасын басып ұстап тұрыңыз.
- Өшіру үшін (3 немесе 4) батырманы босатыңыз.
- Құрылғыны пайдаланып болғаннан кейін желі бауының ашасын электр розеткасынан суырыңыз, бекіткіш батырмаларына (2) басып, моторлық блоктан редукторды (6) шешіп алыңыз. (сур. 5).
- Капучинатор қондырманы (13) редуктордан (6) шығарып алыңыз.

### ТАЗАЛАУ

**НАЗАР АУДАРЫҢЫЗ!** Ұсақтағыш-пышақтың (9) жүзі тым өткір әрі қауіп төндіреді. Ұсақтағыш пышақты (9) қолданғанда өте абай болыңыз!

- Құрылғыны пайдаланғаннан кейін желі бауының ашасын электр розеткадан суырыңыз.

- Бұлғауыш-қондырманы (7), ұсақтағыш тостаған-ның (10), ұсақтағыш-пышақты (9), стақанды (11), капучинатор қондырмасын (13), бейтарап жуғыш зат қосылған, жылы сумен жуып жіберіңіз және оларды құрғатыңыз.
- Блендер-қондырмасының (1) және картоп еzbесі қондырмасының (12) тек төменгі бөлігін шайыңыз, сыртқы бетін сәл дымқыл шүберекпен сүртіңіз. Блендер-саптамасын (1) және картоп еzbесі қондырмасының (12) суға немесе кез келген басқа сұйықтыққа толығымен батыруға тыйым салынады.
- Моторлық блокты, редуктор-қақпағын (8) және бұлғауыш қондырмасының редукторын (6) жұмсақ, сәл дымқыл матамен сүртіңіз, содан кейін құрғатып сүртіңіз.
- Тұзды немесе қышқыл тағамдарды өңдегеннен кейін, блендер қондырмасын (1) немесе ұсақтағыш-пышақты (9) дереу сумен шайыңыз.
- Күшті бояғыш қасиеттері бар азық-түлікті, мысалы, сәбізді немесе қызылшаны өңдеген кезде қондырмалар мен сыйымдылықтар боялуы мүмкін, қондырмалар мен сыйымдылықтарды өсімдік майына матырылған матамен сүртіңіз, содан кейін қондырмалар мен сыйымдылықтарды бейтарап жуғыш заты бар сумен жуыңыз және құрғатыңыз.
- Моторлық блокты және редукторды (6), редуктор-қақпақты (8) кез келген сұйықтықтарға батыруға, сондай-ақ оларды ағын судың астында жууға немесе ыдыс жуатын машинаға салуға тыйым салынған.

- Моторлық блоктың корпусын және алынбалы детальдарды тазалау үшін абразивтік тазалау құралдары мен еріткіштерді пайдалануға тыйым салынады.

## САҚТАУ

- Құрылғыны ұзақ уақыт сақтауға қояр алдында, құрылғы бөлшектерінің тазалауын жүргізіңіз.
- Қуаттандыру бауын мотор блогына орауға тыйым салынады.
- Құрылғыны салқын және құрғақ, балалардың және мүмкіндігі шектеулі адамдардың қолы жетпейтін жерде сақтаңыз.

## ЖЕТКІЗІЛІМ ЖИЫНТЫҒЫ

1. Моторлық блок — 1 дн.
2. Қондырма-блендер — 1 дн.
3. Бұлғауыш редукторы — 1 дн.
4. Бұлғауыш-қондырма — 1 дн.
5. Редуктор-қақпақ — 1 дн.
6. Ұсақтағыш-пышақ — 1 дн.
7. Ұсақтағыш сыйымдылығы — 1 дн.
8. Стақан — 1 дн.
9. Картоп еzbесіне арналған қондырма — 1 дн.
10. Нұсқаулық — 1 дн.

## ТЕХНИКАЛЫҚ СИПАТТАМАЛАРЫ

- Электр қуаттандыруы: 220-240 В, ~ 50-60 Гц
- Номиналды тұтыну қуаты: 1500 Вт
- Көлемі 800 мл стақан
- Ұсақтағыш сыйымдылығы – 600 мл

## КӘДЕГЕ АСЫРУ



Қалдықтардың бақыланбай кәдеге асыруынан қоршаған ортаға немесе адамдардың денсаулығына зиян келтірмеу үшін, құрылғының немесе қуаттандыру элементтерінің (егер жиынтыққа кірсе) қызмет ету мерзімі аяқталғаннан

кейін оларды әдеттегі тұрмыстық қалдықтармен бірге тастамаңыз, аспапты және қуаттандыру элементтерін одан әрі кәдеге асыру үшін арнайы пункттерге жіберіңіз.

Бұйымдарды кәдеге асыру кезінде пайда болатын қалдықтар белгіленген тәртіп бойынша келесі кәдеге асырылатын тәртіппен міндетті түрде жинауға жатады.

Берілген өнімді кәдеге асыру туралы қосымша ақпаратты алу үшін жергілікті муниципалитетке, тұрмыстық қалдықтарды пайдаға асыру қызметіне немесе осы өнімді сатып алған дүкенге жүгініңіз.

Өндіруші алдын-ала ескертусіз, құрылғының дизайнын, конструкциясы мен оның жалпы жұмыс ұстанымдарына әсер етпейтін техникалық сипаттамаларын өзгерту құқығын өзіне қалдырады.

### Құрылғының қызмет ету мерзімі — 3 жыл

Өндірілген күні сериялық нөмірде көрсетілген.

Қандай да бір ақаулықтар табылған жағдайда дереу авторландырылған сервистік орталыққа жүгіну керек.







Hergestellt für «Ruste GmbH»,  
Berggasse 18/18, 1090 Wien,  
Österreich

Produced for «Ruste GmbH»,  
Berggasse 18/18, 1090 Vienna, Austria

Изготовлено по заказу Русте Гмбх,  
Бергассе 18/18, 1090 Вена, Австрия

Уполномоченное изготовителем  
лицо: ООО «Грантэл»  
143912, МО, г. Балашиха,  
ш. Энтузиастов, вл. 1А  
т.: +7 (495) 297-50-20,  
e-mail: info@brayer.su

Made in China/Произведено в Китае



brayer.ru

