

Instruction manual
Инструкция по эксплуатации

Kitchen machine BR1502
Кухонная машина BR1502



СОДЕРЖАНИЕ

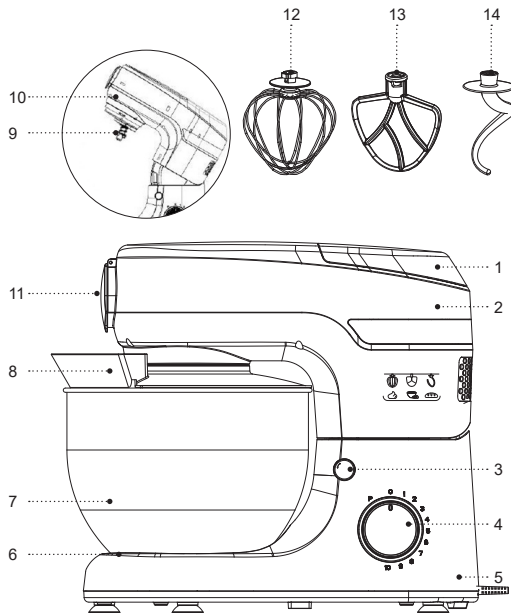
EN.....	3
DE.....	12
RU.....	23
KZ.....	33

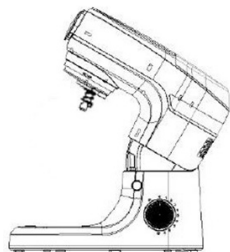
KITCHEN MACHINE BR1502

The kitchen machine is intended to be used for dough kneading, minced meat stirring, mixing of various ingredients, cooking of sauces, mayonnaise, whipped cream, etc.

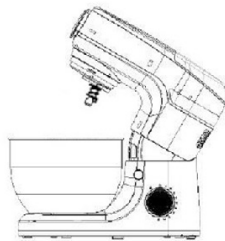
DESCRIPTION

1. Blender Bowl Housing Cover
2. Motor Unit
3. Motor Unit Locking Button
4. Operation Mode Switch «P-0-1---10»
5. Base
6. Food Bowl Housing
7. Food Bowl
8. Bowl Cover
9. Attachment Wheel
10. Bowl Cover Housing
11. Meat Grinder Socket Cover
12. Whisker
13. Beater
14. Dough Hook





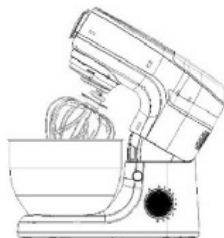
Pic. 1



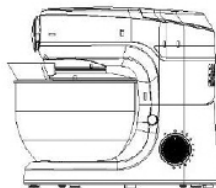
Pic. 2



Pic. 3



Pic. 4



Pic. 5

SAFETY MEASURES AND OPERATION RECOMMENDATIONS

Read the operation manual carefully before using the kitchen machine; after reading, keep it for future reference.

- Use the unit for its intended purpose only, as it is stated in this manual.
- Mishandling the kitchen machine can lead to its breakage and cause harm to the user or damage to his/her property and it is not covered by warranty.
- Make sure that the operating voltage of the unit indicated on the label corresponds to your home mains voltage.

ATTENTION! Do not operate the appliance continuously for more than for 3 to 10 minutes (depending on the attachment), after which make a pause for a minimum of 10-20 minutes.

- Do not use the unit outdoors.
- It is recommended not to use the unit during lightning storms.
- Place and use the kitchen machine only on a dry flat and stable surface, away from heat sources, open flame and direct sunlight.
- Do not use the unit near heating appliances, heat sources or open flame.
- Do not use the kitchen machine in places where aerosols are stored, used or sprayed, and in proximity to inflammable liquids.

- Protect the unit from blows, drops, vibrations and other mechanical stress.
- Do not block the ventilation openings on the unit body during the kitchen machine operation; this may lead to the electric motor overheating.
- Never leave the unit connected to the mains unattended.
- Do not immerse the kitchen machine body, the power cord or the power plug into water or any other liquids.
- Do not use the unit in proximity to the kitchen sink, in bathrooms, near swimming pools or other containers filled with water.
- If the unit is dropped into water, unplug it immediately, and only then you can take the unit out of water. Apply to the authorized service center for testing or repairing the unit.
- Do not let the power cord touch hot surfaces and sharp edges of furniture.
- Handle the power cord with care, avoid twisting it and periodically straighten the cord.
- Do not use the power cord as a carrying handle for the kitchen machine.
- Do not touch the unit body, the power cord and the power plug with wet hands.
- Unplug the unit after usage or before cleaning. When unplugging the unit, hold the power plug and carefully remove it from the mains socket, do not pull the power cord, as this can lead to its damage and cause a short circuit.

- Before using the unit for the first time, wash thoroughly all the removable parts of the kitchen machine that will contact food.
- Use only the parts supplied with the kitchen machine.
- Before installing the required attachment, make sure the power plug is not connected to an electrical outlet.
- Before using the unit, make sure that all parts of the kitchen machine are installed correctly and the attachment is securely fixed.
- Be careful when setting the motor unit in the operation position, avoid any foreign objects to get between the motor unit and the base of the kitchen machine.
- Before connecting the power plug to an electrical outlet, make sure the operation mode switch knob is in the «0» position.
- Do not use the kitchen machine to mix hard butter or frozen dough.
- Do not touch the rotating attachment during the kitchen machine operation, avoid any foreign objects to get in the attachment rotating zone.
- When you have finished cooking food, turn off the kitchen machine, disconnect the power plug from the electrical outlet, lift the motor unit and detach the attachment.
- Do not turn on or use the Blender Attachment with no food inside the Blender Bowl.
- Cool down hot food to 40 °C or lower before placing it inside the Blender Bowl.
- Do not overload the Blender Bowl with food and keep track of the liquid food level.
- In the event of an unintended interruption in the rotation of the Blender Bowl blades turn off the Kitchen Machine and unplug it from the mains – only after that it will be safe to remove ingredients blocking the rotation of the blades.
- Extract food or pour liquids out of the Blender Bowl only after the Rotating Blades
- have completely stopped.
- Be careful when handling the Blender Bowl, as the cutting edges of the Rotating Blades are sharp and can be dangerous. Be extremely careful during cleaning or when extracting processed foods!
- Regularly clean the kitchen machine body and the parts which were used during the operation.
- For child safety reasons do not leave polyethylene bags used as packaging unattended.

ATTENTION! Do not allow children to play with polyethylene bags or packaging film. **Danger of suffocation!**

- The unit is not intended for usage by children.
- Do not leave children unattended to prevent using the unit as a toy.
- Do not allow children to touch the unit body, the power cord or the power plug during operation of the unit.

- Be especially careful if children or disabled persons are near the operating unit.
- During the unit operation and breaks between operation cycles, place the unit out of reach of children.
- The unit is not intended for usage by physically, sensory, psychically or mentally disabled persons (including children) or by persons lacking experience or knowledge if they are not under supervision of a person who is responsible for their safety or if they are not instructed by this person on the usage of the unit.
- Before using the kitchen machine, check the power cord integrity. If the power cord is damaged, it should be replaced by the manufacturer, a maintenance service or similar qualified personnel to avoid danger.
- Do not repair the unit by yourself. Do not disassemble the unit by yourself, if any malfunction is detected, and after the unit was dropped, unplug it and apply to the service center.
- To avoid damages, transport the unit in the original package.
- Keep the unit in a dry cool place out of reach of children and disabled persons.

THE UNIT IS INTENDED FOR HOUSEHOLD USE ONLY, DO NOT USE THE UNIT FOR COMMERCIAL OR LABORATORY PURPOSES.

BEFORE THE FIRST USE

After the unit transportation or storage at negative temperature, unpack it and wait for at least 3 hours before using it.

- Unpack the unit and remove all the packaging materials.
- Keep the original package.
- Read the safety measures and operating recommendations.
- Check the delivery set.
- Examine the unit for damages, in case of damage do not plug it into the mains.
- Make sure that specified specifications of power supply voltage of the unit correspond to the specifications of your mains. When the unit is used in the mains with 60 Hz frequency, it does not need any additional settings.
- Wash the attachments (12, 13, 14), the lid (8), the bowl (7) with warm water and a neutral detergent, rinse and dry.
- Wash the Blender Bowl (17), Blender Bowl Cover (16), and Measuring Cup (15).
- Also wash the meat grinder parts (20-27).
- Wipe the motor unit (2) and the base (5) with a soft, slightly damp cloth, then wipe dry.

USING THE ATTACHMENTS

Dough kneading attachment (14)

- Use the attachment (14) to knead yeast dough or short pastry, to stir minced meat, etc.
- Mix dry ingredients at a low speed, while kneading the dough, periodically increase or decrease the attachment (14) rotation speed by turning the operation mode switch knob (4).




Mixing attachment (13)

- You can use the attachment (13) to knead pancake or biscuit dough or to make mashed potatoes. Adjust the attachment (13) rotation speed by turning the operation mode switch knob (4).

Beater (12)

- Use the beater (12) for whipping cream, egg whites, puddings, cocktails, cream, mayonnaise, sauces and mixing liquid foods. Set the operation mode switch knob (4) to the maximum attachment (12) rotation speed.

ATTACHMENTS USAGE

Attachment		Usage	Description
Dough kneading attachment (14).		Ingredients mixing and yeast dough kneading.	Bread, rolls, pizza dough.
Ingredients mixing attachment (13).		Ingredients mixing	Mashed potatoes, biscuit dough, shortcrust pastry, cream icing, confection mix.
Whisk (12)		Light fluffy mixes making.	Beaten eggs or egg whites, whipped cream, icing, mayonnaise.

USING THE KITCHEN MACHINE

ATTENTION! Do not operate the appliance continuously for more than 10 minutes, after which make a pause for a minimum of 20 minutes.

- Before installing the attachments, make sure that the power plug is not connected to an electrical outlet and that the operation mode switch knob (4) is set to the «0» position.

- This kitchen machine has been designed with covers (1, 11) for the installation places of additional attachments (included), the covers removed activate the system preventing the kitchen machine switching on with no attachment installed. Always check the correct covers installation before using this kitchen machine (1, 11), otherwise it will not turn on.
- Hold the motor unit (2) with your hand and press the lock lever (3), the motor unit (2) will be fixed in the upper position (pic. 1).
- Set the bowl lid (8) in its installation place (10).
- Turn the lid (8) to fix it.
- Set the bowl (7) in its installation place (6) and turn it clockwise (pic. 2).
- Install one of the attachments (12, 13 or 14) on the shaft (9), to do this, slightly press the attachment upwards and turn it counterclockwise until tight (fig. 3, 4). Make sure that the attachment is properly fixed.
- Place the required ingredients in the bowl (7).
- Press the lock lever (3) and hold it, press the upper part of the motor unit (2), lower it to the operation position and release the lever (3). Make sure that the motor unit (2) is securely fixed in the operation position (pic. 5).
- Connect the power plug to an electrical outlet.

Note: Make sure that the covers for the installation places of additional attachments (1, 11) are correctly set and fixed.

- To activate the kitchen machine turn the operation mode switch knob (4) clockwise and set the required attachment rotation speed «1---10».

Note: when making yeast dough, use lower Dough Hook (14) rotation speeds.

- Always start at a lower speed, then gradually increase the attachment rotation speed
- You can add the required ingredients during the operation through the opening in the lid (8).
- To switch the kitchen machine on for a short time, turn the operation mode switch (4) to the "P" position. For a short Kitchen Machine operation session, set the Operation Mode Switch (4) to «P» and hold it down.
- Upon completion set the operation mode switch knob (4) to the «0» position and disconnect the power plug from the electrical outlet.
- Hold the motor unit (2) with your hand and press the lock lever (3), the motor unit (1) will be fixed in the upper position (pic. 1).
- Remove the installed attachment by turning it clockwise (fig. 3).
- Turn the lid (8) and remove it.
- Remove the bowl (7) by turning it counterclockwise.
- Remove food from the bowl (7).
- Wash the used attachment and the bowl (7) with warm water and a neutral detergent, rinse and dry.

CLEANING AND MAINTENANCE

- After using the kitchen machine, turn it off by turning the operation mode switch knob (4) to the «0» position and disconnect the power plug from the electrical outlet.
- Wash the used attachment (12, 13, 14), the lid (8) and the bowl (7) with warm water and a neutral detergent, rinse and dry.
- To pre-wash the Blender Bowl (17), after using the Blender Attachment, pour some water into the Bowl (17) and turn the Kitchen Machine on, using the pulse mode, for which purpose set the Operation Mode Switch to «P» and hold it down. Then, remove the Bowl (17), wash it thoroughly, making sure to be careful, as the cutting edges of the Rotating Blades (19) are sharp and can be dangerous.
- After using the Meat Grinder Attachment, disassemble it, wash the parts (21, 22, 23, 24, 25, 26, 27), rinse, and let them dry.
- Wipe the motor unit (2) and the base (5) with a soft, slightly damp cloth, then wipe dry.
- Do not use metal brushes, abrasive cleaners and solvents to clean the kitchen machine.
- Do not immerse the kitchen machine, the power cord and the power plug in water or any other liquid.
- When cleaning the kitchen machine, avoid water and cleaning agents to get into the motor unit (2) and the joint between the motor unit (2) and the base (5).
- The Attachments (12, 13, 14), the Bowl (7), the Meat Grinder parts can be washed in a dishwasher.

STORAGE

- Before storing the kitchen machine, make sure that all attachments and the body are clean and dry.
- Keep the unit in a dry cool place out of reach of children and disabled persons.

DELIVERY SET

1. Kitchen machine – 1 pc.
2. Bowl – 1 pc.
3. Bowl lid – 1 pc.
4. Attachments – 3 pcs.
5. Instruction manual – 1 pcs.

TECHNICAL SPECIFICATIONS

- Power supply: 220-240 V ~ 50-60 Hz
- Maximum power consumption: 1000 W
- Food Bowl capacity: 5.5 liters

RECYCLING



To prevent possible damage to the environment or harm to the health of people by uncontrolled waste disposal, after expiration of the service life of the unit or the batteries (if included), do not discard them with usual household waste, take the unit and the batteries to specialized stations for further recycling.

The waste generated during the disposal of products is subject to mandatory collection and consequent disposal in the prescribed manner.

For further information about recycling of this product apply to a local municipal administration, a household waste disposal service or to the shop where you purchased this product.

The manufacturer reserves the right to change the design, structure and specifications not affecting general operation principles of the unit, without prior notice.

The unit operating life is 3 years

The manufacturing date is specified in the serial number.

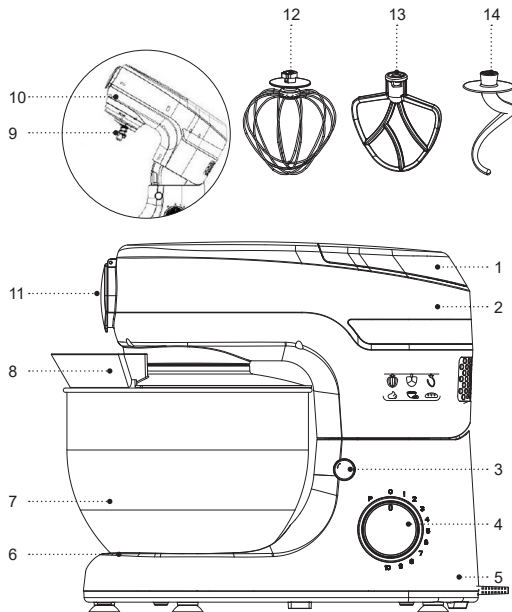
In case of any malfunctions, it is necessary to apply promptly to the authorized service center.

KÜCHENMASCHINE BR1502

Die Küchenmaschine mit einem Planetenmechanismus ist zum Teigkneten, Hackfleischrühren, Mischen verschiedener Zutaten, Zubereiten von Soßen, Mayonnaise, Schlagsahne usw. bestimmt.

BESCHREIBUNG

1. Deckel der Mixerbehälteraufnahme
2. Motoreinheit
3. Motoreinheitverriegelungstaste
4. Betriebsartenschalter «P-0-1-10»
5. Sockel
6. Lebensmittelbehälteraufnahme
7. Lebensmittelbehälter
8. Behälterdeckel
9. Welle für die Aufsätze
10. Behälterdeckelaufnahme
11. Deckel der Fleischwolfaufsatzaufnahme
12. Schlagbesen
13. Mischaufsatz
14. Aufsatz zum Teigkneten



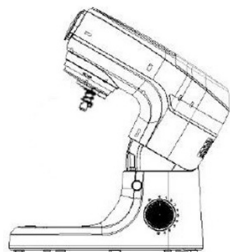


Abb. 1

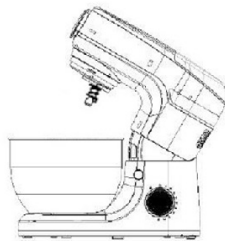


Abb. 2



Abb. 3

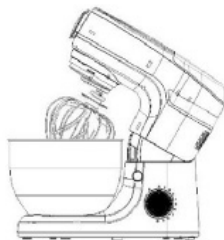


Abb. 4

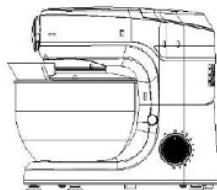


Abb. 5

SICHERHEITSHINWEISE UND BEDIENUNGSANLEITUNG

Bevor Sie den Küchenmaschine benutzen, lesen Sie die Bedienungsanleitung aufmerksam durch und bewahren Sie sie zum späteren Gebrauch auf.

- Benutzen Sie das Gerät nur bestimmungsmäßig und laut dieser Bedienungsanleitung.
- Missbrauch des Küchenmaschinen kann zu seiner Störung führen, den Benutzer oder sein Eigentum beschädigen und ist kein Garantiefall.
- Vergewissern Sie sich, dass die auf dem Bezeichnungszettel angegebene Betriebsspannung und die Netzspannung übereinstimmen.

ACHTUNG! Die Dauerbetriebszeit darf nicht länger als 3 bis 10 Minuten (je nach dem verwendeten Aufsatz) betragen, machen Sie danach mindestens 10 bis 20 Minuten Pause.

- Es ist nicht gestattet, das Gerät draußen zu benutzen.
- Es ist nicht empfohlen, das Gerät bei Gewitter zu benutzen.
- Stellen Sie den Küchenmaschine auf eine trockene, ebene und standfeste Oberfläche fern von Wärmequellen, offenem Feuer und direkten Sonnenstrahlen und benutzen Sie ihn ebenda.
- Benutzen Sie das Gerät in direkter Nähe von Heizgeräten, Wärmequellen oder offenem Feuer nicht.

- Es ist verboten, den Küchenmaschine an Orten zu verwenden, an denen Aerosole gelagert, verwendet oder gesprüht werden, sowie in der Nähe von leichtentzündbaren Flüssigkeiten.
- Schützen Sie das Gerät vor Stößen, Stürzen, Vibrationen und anderen mechanischen Einwirkungen.
- Sperren Sie keine Lüftungsöffnungen am Gerätegehäuse während des Küchenmaschinebetriebs ab, das kann zur Überhitzung des Elektromotors führen.
- Lassen Sie das ans Stromnetz angeschlossene Gerät nie unbeaufsichtigt.
- Es ist nicht gestattet, das Küchenmaschinegehäuse, das Netzkabel oder den Netzstecker ins Wasser oder jegliche andere Flüssigkeiten einzutauchen.
- Benutzen Sie das Gerät in der Nähe von Spülbecken, in Badezimmern und neben Wasserbecken oder anderen mit Wasser gefüllten Behältern nicht.
- Falls das Gerät ins Wasser gefallen ist, ziehen Sie den Netzstecker aus der Steckdose sofort heraus, erst danach holen Sie das Gerät aus dem Wasser heraus. Wenden Sie sich an einen autorisierten Kundendienst, um das Gerät prüfen oder reparieren zu lassen.
- Achten Sie darauf, dass das Netzkabel heiße Oberflächen und scharfe Möbelkanten nicht berührt.
- Behandeln Sie das Netzkabel vorsichtig, vermeiden Sie dessen Verdrehung und richten Sie das Netzkabel regelmäßig aus.

- Verwenden Sie das Netzkabel als Griff zum Tragen des Küchenmaschinen nicht.
- Berühren Sie das Gerätegehäuse, das Netzkabel und den Netzstecker mit nassen Händen nicht.
- Trennen Sie das Gerät nach dem Gebrauch oder vor der Reinigung vom Stromnetz ab. Wenn Sie das Gerät vom Stromnetz abtrennen, halten Sie den Netzstecker fest und ziehen Sie ihn aus der Steckdose vorsichtig heraus; ziehen Sie das Netzkabel nicht, da es zu seiner Beschädigung und einem Kurzschluss führen kann.
- Vor dem ersten Gerätebetrieb spülen Sie alle mit den Nahrungsmitteln zu kontaktierenden abnehmbaren Küchenmaschineteile sorgfältig durch.
- Benutzen Sie nur die mitgelieferten Küchenmaschineteile.
- Vergewissern Sie sich vor dem Aufstellen des gewünschten Aufsatzes, dass der Netzstecker an keine Steckdose angeschlossen ist.
- Vergewissern Sie sich vor der Geräteverwendung, dass alle Teile der Küchenmaschine korrekt installiert und der Aufsatz sicher befestigt sind.
- Seien Sie vorsichtig, wenn Sie die Motoreinheit in die Betriebsposition bringen, lassen Sie keine Fremdkörper zwischen der Motoreinheit und dem Boden der Küchenmaschine gelangen.
- Bevor Sie den Netzstecker an eine Steckdose anschließen, vergewissern Sie sich, dass der Betriebstufenschaltergriff auf «0» eingestellt ist.
- Es ist verboten, die Küchenmaschine zum Mischen von harter Butter oder gefrorenem Teig zu verwenden.
- Es ist verboten, den drehenden Aufsatz während des Küchenmaschinenbetriebs zu berühren, lassen Sie keine Fremdkörper in den Aufsatzdrehbereich gelangen.
- Schalten Sie die Küchenmaschine nach der Nahrungsmittelzubereitung aus, ziehen Sie den Netzstecker aus der Steckdose heraus, heben Sie die Motoreinheit an und trennen Sie den Aufsatz ab.
- Der Mixeraufsatz darf nicht mit leerem Mixerbehälter eingeschaltet und verwendet werden.
- Kühlen Sie heiße Lebensmittel ab, bevor Sie diese in den Mixerbehälter geben, die Lebensmitteltemperatur darf nicht mehr als 40 °C betragen.
- Geben Sie nicht zu viele Lebensmittel in den Mixerbehälter und achten Sie auf den Füllstand von Flüssigkeiten.
- Falls das Drehen der Messer im Mixerbehälter plötzlich aufgehört hat, bitte die Küchenmaschine ausschalten, den Netzstecker aus der Steckdose ziehen; erst danach darf man die Zutaten entfernen, die das Drehen der Zerkleinerungsmesser stören.
- Bitte Lebensmittel und Flüssigkeiten aus dem Mixerbehälter nur entnehmen/abschütten, nachdem die Zerkleinerungsmesser vollständig gestoppt sind.
- Seien Sie vorsichtig bei der Verwendung des Mixerbehälters, denn die Schneidkanten der

Zerkleinerungsmesser sind scharf und können gefährlich sein. Behandeln Sie den Mixerbehälter äußerst vorsichtig, wenn Sie die verarbeiteten Lebensmittel entnehmen oder den Behälter reinigen!

- Reinigen Sie das Küchenmaschinegehäuse und die während des Betriebs verwendeten Teile regelmäßig.
- Aus Kindersicherheitsgründen lassen Sie die als Verpackung verwendeten Plastiktüten nie ohne Aufsicht.

ACHTUNG! Lassen Sie Kinder mit Plastiktüten oder Verpackungsfolien nicht spielen. **Erstickungsgefahr!**

- Das Gerät ist nicht für Kinder bestimmt.
- Beaufsichtigen Sie Kinder, damit sie das Gerät als Spielzeug nicht benutzen.
- Lassen Sie Kinder das Gerätegehäuse, das Netzkabel oder den Netzstecker während des Gerätebetriebs nicht berühren.
- Besondere Vorsichtsmaßnahmen sind in den Fällen angesagt, wenn sich Kinder oder behinderte Personen während des Gerätebetriebs in der Nähe aufhalten.
- Während des Betriebs und der Pausen zwischen den Betriebszyklen stellen Sie das Gerät an einen für Kinder unzugänglichen Ort auf.
- Das Gerät ist für Personen (darunter Kinder) mit Körper-, Nerven- oder Geistesstörungen oder Personen ohne ausreichende Erfahrung und Kenntnisse nicht geeignet, wenn sie sich

unter Aufsicht der Person, die für ihre Sicherheit verantwortlich ist, nicht befinden oder entsprechende Anweisungen über die Gerätenutzung nicht bekommen haben.

- Überprüfen Sie die Unversehrtheit des Netzkabels, bevor Sie den Küchenmaschine verwenden. Wenn das Netzkabel beschädigt ist, soll es vom Hersteller, vom Kundendienst oder von ähnlich qualifiziertem Personal ersetzt werden, um Gefahren zu vermeiden.
- Es ist nicht gestattet, das Gerät selbständig zu reparieren. Nehmen Sie das Gerät selbständig nicht auseinander; bei der Feststellung jeglicher Beschädigungen, sowie im Sturzfall, trennen Sie das Gerät vom Stromnetz ab und wenden Sie sich an einen Kundendienst.
- Um Beschädigungen zu vermeiden, transportieren Sie das Gerät nur in der Fabrikverpackung.
- Bewahren Sie das Gerät an einem trockenen, kühlen und für Kinder und behinderte Personen unzugänglichen Ort auf.

DAS GERÄT IST NUR FÜR DEN GEBRAUCH IM HAUSHALT GEEIGNET, ES IST VERBOTEN, DAS GERÄT ZU GESCHÄFTS- ODER LABORZWECKEN ZU BENUTZEN.

VOR DER ERSTEN VERWENDUNG

Packen Sie das Gerät aus und warten Sie mindestens 3 Stunden ab, nachdem es bei einer negativen Temperatur transportiert oder aufbewahrt worden ist.

- Packen Sie das Gerät aus und entfernen Sie alle Verpackungsmaterialien.
- Bewahren Sie die Originalverpackung auf.
- Machen Sie sich mit den Sicherheitsmaßnahmen und Bedienungsempfehlungen bekannt.
- Prüfen Sie die Vollständigkeit.
- Prüfen Sie das Gerät auf Beschädigungen; wenn es beschädigt ist, schließen Sie es ans Stromnetz nicht an.
- Vergewissern Sie sich, dass die angegebenen Parameter der Geräteversorgungsspannung und die Stromnetzparameter übereinstimmen. Beim 60-Hz-Stromnetz-Gerätebetrieb sind keine zusätzlichen Maßnahmen erforderlich.
- Waschen Sie die Aufsätze (12, 13, 14), den Deckel (8) und den Behälter (7) mit Warmwasser und einem neutralen Reinigungsmittels, spülen und trocknen Sie sie ab.
- Den Mixerbehälter (17), den Behälterdeckel (16) und den Messbecher (15) waschen.
- Weiter die Teile des Fleischwolfaufsatzes (20---27) waschen.

- Wischen Sie die Motoreinheit (2) und den Boden (5) mit einem weichen, leicht feuchten Tuch, danach trocknen Sie sie ab.

NUTZUNG DER AUFSÄTZE

Teigknetaufsatz (14)

- Verwenden Sie den Aufsatz (14), um Hefen- oder Mürbeteig zu kneten, Hackfleisch zu rühren usw.
- Mischen Sie trockene Zutaten mit niedriger Geschwindigkeit, beim Teigkneten erhöhen oder verringern Sie die Drehgeschwindigkeit des Aufsatzes (14) regelmäßig, indem Sie den Betriebstufenschaltergriff (4) drehen.

Mischaufsatz (13)

- Verwenden Sie den Aufsatz (13) zum Kneten des Pfannkuchen- und Biskuiteigs sowie zum Kartoffelpüreezubereiten. Stellen Sie die Drehgeschwindigkeit des Aufsatzes (13) durchs Drehen des Betriebstufenschaltergriffs (4) ein.

Schlagbesen (12)

- Verwenden Sie den Besen (12) zum Schlagen von Sahne und Eiweiß, Zubereiten von Puddings, Cocktails, Creme, Mayonnaise und Soßen sowie zum Mischen von flüssigen Nahrungsmitteln. Stellen Sie die maximale Drehgeschwindigkeit des Aufsatzes (12) mit dem Betriebstufenschaltergriff (4) ein.

AUFSATZVERWENDUNG

Aufsatz		Verwendung	Beschreibung
Teigknetaufsatz (14)		Zutatenmischen und Hefeteigkneten	Brot, Brötchen, Pizzateig.
Mischaufsatz (13)		Zutatenmischen	Kartoffelpüree, Biskuitteig, Mürbeteig, Cremeglasur, Konfektmischung
Besen (12)		Zubereitung von leichten Schaummischungen.	Schlageier oder -eiweiß, Schlagsahne, Glasur, Mayonnaise.

NUTZUNG DER KÜCHENMASCHINE

ACHTUNG! Die Dauerbetriebszeit darf nicht länger als 10 Minuten betragen, machen Sie danach mindestens 20 Minuten Pause.

- Vergewissern Sie sich vor dem Aufstellen der Aufsätze, dass der Netzstecker an keine Steckdose angeschlossen ist und der Betriebstufenschaltergriff (4) auf «0» eingestellt ist.
- Die Konstruktion dieses Küchenmaschinenmodells sieht die Deckel (1, 11) für die Aufstellplätze der Zusatzaufsätze (mitgeliefert) vor, bei abgenommenen Deckeln wird ein Sperrsystem gegen Einschalten der Küchenmaschine ohne Aufsatz aktiviert. Prüfen Sie immer die korrekte Deckelaufstellung (1, 11), bevor Sie diese Küchenmaschine benutzen, da sich die Küchenmaschine sonst nicht einschalten lässt.
- Halten Sie die Motoreinheit (2) mit Ihrer Hand und drücken Sie den Verriegelungshebel (3), die Motoreinheit (2) rastet in der oberen Position ein (abb. 1).
- Stellen Sie den Behälterdeckel (8) auf den Aufstellplatz (10) auf.
- Drehen Sie die Deckel (8), um ihn zu befestigen.
- Stellen Sie die Behälter (7) an seinen Aufstellplatz (6) auf und drehen Sie ihn im Uhrzeigersinn bis zum Anschlag (abb. 2).
- Stellen Sie einen der Aufsätze (12, 13 oder 14) auf der Welle (9) auf, drücken Sie dazu den Aufsatz leicht nach oben und drehen Sie ihn entgegen dem Uhrzeigersinn bis zum Anschlag (Abb. 3, 4). Vergewissern Sie sich, dass der Aufsatz sicher befestigt ist.
- Legen Sie die erforderlichen Zutaten in den Behälter (7).
- Drücken Sie den Verriegelungshebel (3) und halten Sie ihn fest, drücken Sie auf den oberen Teil der Motoreinheit (2), lassen Sie sie in die

Betriebsposition herunter und lassen Sie den Hebel (3) los (abb. 5). Vergewissern Sie sich, dass die Motoreinheit (2) in der Betriebsposition sicher befestigt ist.

- Stecken Sie den Netzstecker in eine Steckdose ein.

Anmerkung: vergewissern Sie sich, dass die Deckel der Aufstellplätze für Zusatzaufsätze (1, 11) korrekt aufgestellt und befestigt sind.

- Um die Küchenmaschine einzuschalten, drehen Sie den Betriebstufenschaltergriff (4) im Uhrzeigersinn und stellen Sie die gewünschte Aufsatzdrehgeschwindigkeit ein «1--10».

Anmerkung: um Hefeteig zu kneten, verwenden Sie niedrige Aufsatzdrehgeschwindigkeiten (14).

- Beginnen Sie die Arbeit immer mit niedrigerer Geschwindigkeit, und erhöhen Sie die Aufsatzdrehgeschwindigkeit allmählich.
- Zum Kurzzeit-Einschalten der Küchenmaschine den Griff des Betriebsartenschalters (4) in die Position "P" drehen und festhalten. Um die Küchenmaschine auszuschalten, stellen Sie den Schalter (4) auf «0».
- Um die Küchenmaschine kurzzeitig einzuschalten, drehen Sie den Betriebstufenschaltergriff (2) in die «P»-Position und halten Sie ihn gedrückt. Lassen Sie den Griff (2) los, um die Küchenmaschine auszuschalten.
- Nach dem Betrieb stellen Sie den Betriebstufenschaltergriff (4) auf «0» ein und ziehen Sie den Netzstecker aus der Steckdose heraus.

- Halten Sie die Motoreinheit (2) mit Ihrer Hand und drücken Sie den Verriegelungshebel (3), die Motoreinheit (1) rastet in der oberen Position ein (abb. 1).
- Nehmen Sie den aufgestellten Aufsatz ab, indem Sie ihn im Uhrzeigersinn drehen (Abb. 3).
- Drehen Sie den Deckel (8) und nehmen Sie ihn ab.
- Entfernen Sie den Behälter (6), indem Sie ihn entgegen dem Uhrzeigersinn.
- Nehmen Sie die Nahrungsmittel aus dem Behälter (7) heraus.
- Waschen Sie den verwendeten Aufsatz und den Behälter (7) mit Warmwasser und einem neutralen Reinigungsmittel, spülen Sie und trocknen Sie sie ab.

MIXERAUFSATZ VERWENDEN

ACHTUNG!

- Die Dauerbetriebszeit mit dem Mixeraufsatz darf nicht länger als 3 Minuten betragen, machen Sie danach mindestens 5 bis 10 Minuten Pause.
- Der Mixeraufsatz wird zum Zerkleinern von Lebensmitteln, Mischen verschiedener Zutaten und Zubereiten von Cocktails verwendet.
- Vor dem Aufsetzen des Mixeraufsatzes stellen Sie sicher, dass der Netzstecker nicht in der Steckdose ist und der Griff des Betriebsartenschalters (4) auf "0" steht.
- Nehmen Sie den Deckel (1) ab.

- Stellen Sie den Mixerbehälter (17) auf die Motoreinheit (2) und drehen Sie diesen im Uhrzeigersinn bis zum Anschlag, der Griff (18) muss sich rechts an der Motoreinheit (2) befinden (Bild 6).
- Drehen Sie den Deckel (16) gegen Uhrzeigersinn, um ihn vom Mixerbehälter (17) abzunehmen.
- Legen Sie die erforderlichen Zutaten in den Behälter (17) ein.

Anmerkungen: es wird empfohlen, vor dem Zerkleinern/Mischen das Obst zu schälen, unverzehrlche Teile wie Kerne zu entfernen und das Obst in ca. 2x2 cm große Würfel zu schneiden.

- Setzen Sie den Deckel (16) auf den Mixerbehälter (17) auf und drehen Sie den Deckel im Uhrzeigersinn bis zum Anschlag, setzen Sie den Messbecher (15) in die Öffnung des Deckels (16) ein und drehen Sie diesen im Uhrzeigersinn bis zum Anschlag.
- Vergewissern Sie sich noch einmal, dass der Mixerbehälter (17) richtig aufgestellt und befestigt ist.
- Stecken Sie den Netzstecker in die Steckdose ein.

Anmerkungen: bitte immer überprüfen, ob der Deckel (11) und der Mixerbehälter (17) richtig aufgestellt sind, ansonsten schaltet sich die Küchenmaschine nicht ein.

- Drehen Sie den Betriebsartenschalter (4), um die Küchenmaschine einzuschalten, und stellen Sie die notwendige Arbeitsgeschwindigkeit zwischen "1 und 10" ein.
- «1» (niedrige Geschwindigkeit) - zum Mischen von flüssigen Produkten.

- «10» (hohe Geschwindigkeit) - für flüssige und feste Produkte.
- Zum kurzfristigen Einschalten des Mixeraufsatzes drehen Sie den Griff des Betriebsartenschalters (4) in die Position "P" und halten ihn fest.
- Während des Mixerbetriebs oder in den Pausen können die erforderlichen Zutaten in den Behälter (17) zugegeben werden. Dazu drehen Sie den Becher (15) gegen Uhrzeigersinn und entnehmen Sie ihn, der Becher (15) kann als Behälter für Zugabe von notwendigen flüssigen Zutaten verwendet werden. Nachdem die Zutaten zugegeben sind, setzen Sie den Becher (15) wieder ein und drehen Sie ihn im Uhrzeigersinn bis zum Anschlag.

Anmerkungen:

- achten Sie auf den maximalen Füllstand des Mixerbehälters (17), der minimale Füllstand muss über der minimalen Markierung sein.
- ist die Lebensmittelverarbeitung erschwert, geben Sie in den Mixerbehälter (17) etwas Flüssigkeit (Wasser, Brühe, Saft);
- das beste Verhältnis von festen und flüssigen Zutaten ist 2:3.
- Falls die Zerkleinerungsmesser (19) im Mixerbehälter (17) unbeabsichtigt sich zu drehen aufhören, drehen Sie den Schalter (4) in die Position "0", um die Küchenmaschine auszuschalten, ziehen Sie den Netzstecker aus der Steckdose, und erst

danach kann man die Zutaten, die das Drehen der Zerkleinerungsmesser (19) gesperrt haben, entfernen.

- Nach der Arbeit drehen Sie den Betriebsartenschalter (4) in die Position "0",
- ziehen Sie den Netzstecker aus der Steckdose.
- Drehen Sie den Mixerbehälter (17) gegen Uhrzeigersinn, um ihn von der Motoreinheit (2) abzunehmen.
- Drehen Sie den Deckel (16) gegen Uhrzeigersinn, um ihn von dem Behälter (17) abzunehmen, entnehmen Sie die verarbeiteten Lebensmittel aus dem Behälter (17).
- Nach der Arbeit spülen Sie den Mixerbehälter (17).
- Seien Sie vorsichtig beim Reinigen des Mixerbehälters (17), denn die Kanten der Zerkleinerungsmesser (19) sind scharf und können gefährlich sein. Behandeln Sie den Mixerbehälter äußerst vorsichtig, wenn Sie die verarbeiteten Lebensmittel entnehmen oder den Behälter reinigen!
- Nach der Abnahme des Mixerbehälters (17) setzen Sie den Deckel (1) wieder auf. Falls der Deckel (1) nicht aufgesetzt ist, wird sich die Küchenmaschine nicht einschalten.

REINIGUNG UND PFLEGE

- Schalten Sie die Küchenmaschine nach dem Gebrauch aus, indem Sie den Betriebstufenschaltergriff (4) auf «0» stellen und den Netzstecker aus der Steckdose herausziehen.
- Waschen Sie den verwendeten Aufsatz (8) und den Behälter (7) mit Warmwasser und einem neutralen Reinigungsmittel, spülen Sie und trocknen Sie sie ab.
- Zum vorläufigen Waschen des Mixerbehälters (17) nach der Nutzung des Mixeraufsatzes geben Sie etwas Wasser in den Behälter (17) ein, drehen Sie den Betriebsartenschalter in die Position "P" und halten Sie ihn, um die Küchenmaschine im Pulsbetrieb einzuschalten. Anschließend nehmen Sie den Behälter (17) ab und waschen Sie ihn sorgfältig und vorsichtig, denn die Schneidkanten der Zerkleinerungsmesser (19) sind scharf und können gefährlich sein.
- Nach der Nutzung des Fleischwolfaufsatzes ist er auszubauen, die Teile (21, 22, 23, 24, 25, 26, 27) sind zu waschen, auszuspülen und abzutrocknen.
- Wischen Sie die Motoreinheit (2) und den Boden (5) mit einem weichen, leicht feuchten Tuch, dann trocknen Sie sie ab.
- Verwenden Sie zum Reinigen der Küchenmaschine keine Metallbürsten, Scheuer- oder Lösungsmittel.
- Es ist verboten, die Küchenmaschine, das Netzkabel und den Netzstecker in Wasser oder jegliche andere Flüssigkeiten einzutauchen.

- Lassen Sie beim Reinigen der Küchenmaschine kein Wasser oder Reinigungsmittel in die Motoreinheit (2) und die Verbindungsstelle zwischen der Motoreinheit (2) und dem Boden (5) gelangen.
- Die Aufsätze (12, 13, 14), der Behälter (7) und die Teile des Fleischwolfaufsatzes können in der Spülmaschine gewaschen werden.

AUFBEWAHRUNG

- Vergewissern Sie sich vor dem Aufbewahren der Küchenmaschine, dass alle Aufsätze und das Gehäuse sauber und trocken sind.
- Bewahren Sie das Gerät an einem trockenen, kühlen und für Kinder und behinderte Personen unzugänglichen Ort auf.

LIEFERUMFANG

1. Küchenmaschine – 1 Stk.
2. Behälter – 1 Stk.
3. Behälterdeckel – 1 Stk.
4. Aufsätze – 3 Stk.
5. Betriebsanleitung – 1 Stk.

TECHNISCHE EIGENSCHAFTEN

- Stromversorgung: 220-240 V ~ 50-60 Hz
- Maximale Aufnahmeleistung: 1000 W
- Volumen des Lebensmittelbehälters: 5,5 Liter

ENTSORGUNG



Um möglichen Schaden für die Umwelt oder die menschliche Gesundheit durch unkontrollierte Abfallentsorgung zu vermeiden, werfen Sie das Gerät und die Batterien (falls mitgeliefert) nach Beendigung ihrer Nutzungsdauer

zusammen mit gewöhnlichen Haushaltsabfällen nicht weg, geben Sie das Gerät und die Batterien in die Spezialpunkte für weitere Entsorgung über.

Die bei Entsorgung der Erzeugnisse entstehenden Abfälle sind unbedingt zu sammeln und weiter ordnungsmäßig zu entsorgen.

Mehrere Information zur Entsorgung dieses Produkts erhalten Sie bei Ihrer lokalen Stadtverwaltung, einem Abfallentsorgungsdienst oder beim Geschäft, wo Sie dieses Produkt gekauft haben.

Der Hersteller behält sich das Recht vor, das Design, die Konstruktion und die das gemeine Gerätebetriebsprinzip nicht beeinflussenden technischen Eigenschaften ohne Vorbenachrichtigung zu verändern.

Die Gerätenutzungsdauer beträgt 3 Jahre

Das Herstellungsdatum ist in der Fabrikationsnummer angegeben.

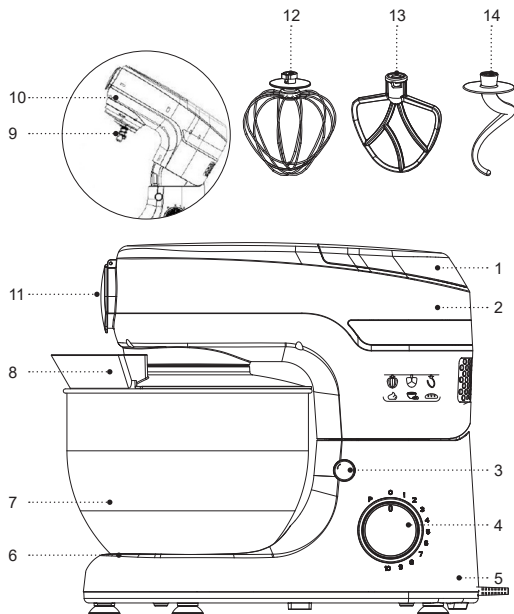
Bei Störungsfeststellung wenden Sie sich baldigst an einen autorisierten Kundendienst.

КУХОННАЯ МАШИНА BR1502

Кухонная машина с планетарным механизмом предназначена для замешивания теста, перемешивания фарша, смешивания различных ингредиентов, приготовления соусов, майонеза, взбитых сливок и т.п.

ОПИСАНИЕ

1. Крышка места установки чаши блендера
2. Моторный блок
3. Кнопка фиксатора моторного блока
4. Переключатель режимов работы «P-0-1---10»
5. Основание
6. Место установки чаши для продуктов
7. Чаша для продуктов
8. Крышка чаши
9. Вал для установки насадок
10. Место установки крышки чаши
11. Крышка места установки насадки мясорубки
12. Венчик для взбивания
13. Насадка для смешивания
14. Насадка для замешивания теста



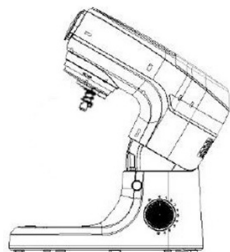


Рис. 1

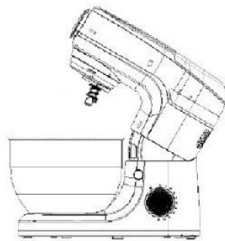


Рис. 2



Рис. 3

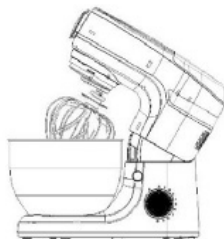


Рис. 4

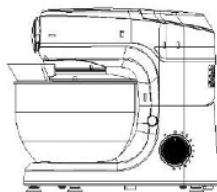


Рис. 5

МЕРЫ БЕЗОПАСНОСТИ И РЕКОМЕНДАЦИИ ПО ЭКСПЛУАТАЦИИ

Перед использованием кухонной машины внимательно ознакомьтесь с руководством по эксплуатации, после прочтения сохраните его для использования в будущем.

- Используйте устройство только по его прямому назначению, как изложено в данной инструкции.
- Неправильное обращение с кухонной машиной может привести к её поломке, причинению вреда пользователю или его имуществу и не является гарантийным случаем.
- Убедитесь, что рабочее напряжение устройства, указанное на этикетке, соответствует напряжению электросети.

ВНИМАНИЕ! Время непрерывной работы не должно превышать от 3 до 10 минут (в зависимости от используемой насадки), после этого сделайте перерыв не менее 10-20 минут.

- Запрещается использовать устройство вне помещений.
- Не рекомендуется использовать устройство во время грозы.
- Устанавливайте и используйте кухонную машину на сухой, ровной и устойчивой поверхности, вдали от источников тепла, открытого пламени и прямых солнечных лучей.
- Не используйте устройство в непосредственной близости от нагревательных приборов, источников тепла или открытого пламени.
- Запрещается использовать кухонную машину в местах, где хранятся, используются или распыляются аэрозоли, а также вблизи от легковоспламеняющихся жидкостей.
- Оберегайте устройство от ударов, падений, вибраций и иных механических воздействий.
- Во время работы кухонной машины не закрывайте вентиляционные отверстия на корпусе устройства, это может привести к перегреву электромотора.
- Не оставляйте устройство, включённое в сеть, без присмотра.
- Не погружайте корпус кухонной машины, шнур питания или вилку шнура питания в воду или любые другие жидкости.
- Не используйте устройство вблизи от кухонной раковины, в ванных комнатах, около бассейнов или других ёмкостей, наполненных водой.
- Если устройство упало в воду, немедленно выньте вилку шнура питания из электрической розетки, и только после этого можно достать устройство из воды. Обратитесь в сервисный центр для осмотра или ремонта устройства.
- Не допускайте, чтобы шнур питания касался горячих поверхностей и острых кромок мебели.

- Аккуратно обращайтесь со шнуром питания, не допускайте перекручивания и периодически распрямляйте шнур питания.
- Запрещается использовать шнур питания в качестве ручки для переноски кухонной машины.
- Не прикасайтесь к корпусу устройства, к шнуру питания и к вилке шнура питания мокрыми руками.
- Отключайте устройство от электросети после использования или перед чисткой. При отключении устройства от электрической сети держитесь за вилку шнура питания и аккуратно выньте её из электрической розетки, не тяните за шнур питания — это может привести к его повреждению и вызвать короткое замыкание.
- Перед первым использованием устройства тщательно промойте съёмные детали кухонной машины, которые будут контактировать с продуктами.
- Используйте только детали кухонной машины, которые входят в комплект поставки.
- Прежде чем установить нужную насадку, убедитесь, что вилка шнура питания не вставлена в электрическую розетку.
- Перед использованием устройства, убедитесь, что все детали кухонной машины установлены правильно и насадка надёжно зафиксирована.
- Соблюдайте осторожность при установке моторного блока в рабочее положение, не допускайте попадания посторонних предметов между моторным блоком и основанием кухонной машины.
- Перед тем, как вставить вилку шнура питания в электрическую розетку, убедитесь, что ручка переключателя режимов работы установлена в положении «0».
- Запрещается использовать кухонную машину для смешивания твёрдого сливочного масла или замороженного теста.
- Запрещается прикасаться к вращающейся насадке во время работы кухонной машины, не допускайте попадания посторонних предметов в зону вращения насадки.
- По окончании приготовления продуктов, выключите кухонную машину, выньте вилку шнура питания из электрической розетки, приподнимите моторный блок и отсоедините насадку.
- Запрещается включать и использовать насадку блендер без продуктов в чаше блендера.
- Прежде, чем поместить горячие продукты в чашу блендера, остудите их, температура продуктов не должна превышать 40 °С.
- Не перегружайте чашу блендера продуктами и следите за уровнем налитых жидкостей.
- Если произошла непредвиденная остановки вращения ножей в чаше блендера, выключите кухонную машину, выньте вилку шнура питания из электрической розетки, и только после этого можно удалить ингредиенты, заблокировавшие вращение ножей измельчителей.
- Извлекайте продукты и сливайте жидкости из чаши блендера только после полной остановки вращения ножей измельчителей.

- При использовании чаши блендера соблюдайте осторожность, поскольку режущие кромки ножей измельчителей острые и могут представлять опасность. Обращайтесь с чашей блендера крайне осторожно при извлечении переработанных продуктов, и во время чистки!
- Регулярно проводите чистку корпуса кухонной машины и деталей, которые были использованы во время работы.
- Из соображений безопасности детей не оставляйте полиэтиленовые пакеты, используемые в качестве упаковки, без надзора.

ВНИМАНИЕ! Не разрешайте детям играть с полиэтиленовыми пакетами или упаковочной плёнкой.
Опасность удушья!

- Устройство не предназначено для использования детьми.
- Осуществляйте надзор за детьми, чтобы не допустить использования устройства в качестве игрушки.
- Не разрешайте детям прикасаться к корпусу устройства, к шнуру питания или к вилке шнура питания во время работы устройства.
- Будьте особенно внимательны, если поблизости от работающего устройства находятся дети или лица с ограниченными возможностями.
- Во время работы и в перерывах между рабочими циклами размещайте устройство в местах, недоступных для детей.
- Прибор не предназначен для использования лицами (включая детей) с пониженными физическими, сенсорными, психическими или умственными способностями, или при отсутствии у них опыта или знаний, если они не находятся под контролем или не проинструктированы лицом, ответственным за их безопасность, об использовании прибора.
- Проверьте целостность шнура питания перед использованием кухонной машины. При повреждении шнура питания его замену, во избежание опасности, должны производить изготовитель, сервисная служба или подобный квалифицированный персонал.
- Запрещается самостоятельно ремонтировать устройство. Не разбирайте устройство самостоятельно, при возникновении любых неисправностей, а также после падения устройства отключите его от электросети и обратитесь в сервисный центр.
- Во избежание повреждений перевозите устройство в заводской упаковке.
- Храните устройство в сухом прохладном месте, недоступном для детей и людей с ограниченными возможностями.

УСТРОЙСТВО ПРЕДНАЗНАЧЕНО ТОЛЬКО ДЛЯ БЫТОВОГО ИСПОЛЬЗОВАНИЯ, ЗАПРЕЩАЕТСЯ ИСПОЛЬЗОВАТЬ УСТРОЙСТВО В КОММЕРЧЕСКИХ ИЛИ ЛАБОРАТОРНЫХ ЦЕЛЯХ.

ПЕРЕД ПЕРВЫМ ИСПОЛЬЗОВАНИЕМ

После транспортировки или хранения устройства при отрицательной температуре, распакуйте его и подождите не менее 3 часов перед использованием.

- Распакуйте устройство и удалите все упаковочные материалы.
- Сохраните заводскую упаковку.
- Ознакомьтесь с мерами безопасности и рекомендациями по эксплуатации.
- Проверьте комплектацию.
- Осмотрите устройство на наличие повреждений, при наличии повреждений не включайте его в электрическую сеть.
- Убедитесь, что указанные параметры напряжения питания устройства соответствуют параметрам электрической сети. При использовании устройства в электрической сети частотой 60 Гц, никаких дополнительных действий не требуется.
- Насадки (12, 13, 14), крышку (8), чашу (7) промойте тёплой водой с добавлением нейтрального моющего средства, ополосните и просушите.
- Промойте чашу блендера (17), крышку чаши (16) и мерный стаканчик (15).

- Также промойте детали насадки мясорубки (20---27).
- Моторный блок (2) и основание (5) протрите мягкой, слегка влажной тканью, после чего вытрите насухо.

ИСПОЛЬЗОВАНИЕ НАСАДОК

Насадка для замешивания теста (14)

- Используйте насадку (14) для замешивания дрожжевого или песочного теста, перемешивания фарша и т.п.
- Сухие ингредиенты смешивайте на малой скорости, при замешивании теста периодически увеличивайте или уменьшайте скорость вращения насадки (14), поворотом ручки переключателя режимов работы (4).

Насадка для смешивания ингредиентов (13)

- Вы можете использовать насадку (13) для замешивания теста для блинов, бисквитов или приготовления картофельного пюре. Скорость вращения насадки (13) регулируйте поворотом ручки переключателя режимов работы (4).

Венчик для взбивания (12)

- Используйте венчик (12) для взбивания сливок, яичного белка, приготовления пудингов, коктейлей, крема, майонеза, соусов, а также для смешивания жидких продуктов. Устанавливайте ручкой переключателя режимов работы (4) максимальную скорость вращения насадки (12).

ИСПОЛЬЗОВАНИЕ НАСАДОК

Насадка	Базовый рецепт	Описание
Насадка для замешивания теста (14)		Смешивание ингредиентов и замешивание дрожжевого теста
Насадка для смешивания ингредиентов (13).		Смешивание ингредиентов
Венчик (12)		Приготовление лёгких, воздушных смесей
		Хлеб, булочки, тесто для пиццы
		Картофельное пюре, тесто для бисквитов, песочное тесто, кремовая глазурь, смесь для приготовления конфет
		Взбитые яйца или яичные белки, взбитые сливки, глазурь, майонез

ИСПОЛЬЗОВАНИЕ КУХОННОЙ МАШИНЫ

ВНИМАНИЕ! Время непрерывной работы не должно превышать 10 минут, после этого сделайте перерыв не менее 20 минут.

- Перед установкой насадок убедитесь в том, что вилка шнура питания не вставлена в электрическую розетку, а ручка переключателя режимов работы (4) установлена в положение «0».
- В конструкции данной модели кухонной машины имеются крышки (1, 11) закрывающие места уста-

новки дополнительных насадок (насадки входят в комплект поставки), снятые крышки включают систему блокировки от включения кухонной машины без установленной насадки. Всегда перед использованием данной кухонной машины, проверяйте правильность установки крышек (1, 11), в противном случае кухонная машина не включится.

- Придерживайте рукой моторный блок (2) и нажмите на кнопку фиксатора (3), моторный блок (2) зафиксируется в верхнем положении (рис. 1).
- Установите крышку чаши (8) на место установки (10).
- Поверните крышку (8) для её фиксации.
- Установите чашу (7) на место установки (6) и поверните её по часовой стрелке до упора (рис. 2).
- На вал (5) установите одну из насадок (12, 13 или 14), для этого слегка нажмите на насадку по направлению вверх и поверните её против часовой стрелки до упора (рис. 3, 4). Убедитесь в надёжной фиксации насадки.
- В чашу (7) поместите необходимые ингредиенты.
- Нажмите на кнопку фиксатора (3) и удерживайте её, нажмите на верхнюю часть моторного блока (2), опустите его в рабочее положение, отпустите кнопку (3). Убедитесь в надёжной фиксации моторного блока (12) в рабочем положении (рис. 5).
- Вставьте вилку шнура питания в электрическую розетку.

Примечание: убедитесь, что крышки мест установки дополнительных насадок установлены правильно и зафиксированы.

- Для включения кухонной машины поверните ручку переключателя режимов работы (4) по часовой стрелке и установите необходимую скорость вращения насадки «1--10».

Примечание: при замешивании дрожжевого теста используйте низкие скорости вращения насадки (14).

- Всегда начинайте работу на более низкой скорости и постепенно увеличивайте скорость вращения насадки.
- Во время работы вы можете добавлять необходимые ингредиенты, для этого в крышке (8) предусмотрено отверстие.
- Для кратковременного включения кухонной машины поверните ручку переключателя режимов работы (4) в положение «Р» и удерживайте её. Для выключения кухонной машины установите ручку (4) в положение «0».
- После завершения работы установите ручку переключателя режимов работы (4) в положение «0» и выньте вилку шнура питания из электрической розетки.
- Придерживайте рукой моторный блок (2), нажмите на кнопку фиксатора (3), моторный блок (1) зафиксируется в верхнем положении (рис. 1).
- Снимите установленную насадку, повернув её по часовой стрелке (рис. 3).

- Поверните крышку (8) и снимите её.
- Снимите чашу (7), повернув её против часовой стрелки.
- Извлеките продукты из чаши (7).
- Промойте используемую насадку и чашу (7) тёплой водой с использованием нейтрального моющего средства, ополосните и просушите.

ЧИСТКА И УХОД

- После использования кухонной машины, выключите её, установив ручку переключателя режимов работы (4) в положение «0» и выньте вилку шнура питания из электрической розетки.
- Промойте используемую насадку (12, 13 или 14), крышку (8) и чашу (7) тёплой водой с нейтральным моющим средством, ополосните и просушите.
- Для предварительной промывки чаши блендера (17), после использования насадки блендер, налейте в чашу (17) небольшое количество воды, включите кухонную машину используя импульсный режим работы, для этого установите переключатель режимов работы в положение «Р» и удерживайте его. После этого снимите чашу (17) и тщательно промойте её, соблюдая при этом осторожность, поскольку режущие кромки ножей измельчителей (19) острые и могут представлять опасность.
- После использования насадки мясорубки, разберите её и промойте детали (21, 22, 23, 24, 25, 26, 27), ополосните и просушите.

- Моторный блок (2) и основание (5) протрите мягкой, слегка влажной тканью, после чего вытрите насухо.
- Для чистки кухонной машины запрещается использовать металлические щётки, абразивные чистящие средства и растворители.
- Запрещается погружать кухонную машину, шнур питания и вилку шнура питания в воду или любые другие жидкости.
- Во время чистки кухонной машины, не допускайте попадания воды и чистящих средств в моторный блок (2) и в соединение моторного блока (2) с основанием (5).
- Насадки (12, 13, 14), ичашу (7), детали насадки мясорубки, можно мыть в посудомоечной машине.

ХРАНЕНИЕ

- Перед тем, как убрать кухонную машину на хранение, убедитесь в том, что все насадки и корпус, чистые и сухие.
- Храните устройство в сухом прохладном месте, недоступном для детей и людей с ограниченными возможностями.

ИСПОЛЬЗОВАНИЕ НАСАДОК И БАЗОВЫЕ

КОМПЛЕКТ ПОСТАВКИ

1. Кухонная машина – 1 шт.
2. Чаша – 1 шт.

3. Крышка чаши – 1 шт.
4. Насадки – 3 шт.
5. Инструкция – 1 шт.

ТЕХНИЧЕСКИЕ ХАРАКТЕРИСТИКИ

- Электропитание: 220-240 В ~ 50-60 Гц
- Максимальная потребляемая мощность: 1000 Вт
- Объем чаши для продуктов: 5,5 литров

УТИЛИЗАЦИЯ



Чтобы предотвратить возможный вред окружающей среде или здоровью людей от неконтролируемой утилизации отходов, после окончания срока службы устройства или элементов питания (если входят в комплект), не выбрасывайте их вместе с обычными бытовыми отходами, передайте прибор и элементы питания в специализированные пункты для дальнейшей утилизации.

Отходы, образующиеся при утилизации изделий, подлежат обязательному сбору с последующей утилизацией в установленном порядке.

Для получения дополнительной информации об утилизации данного продукта обратитесь в местный муниципалитет, службу утилизации бытовых отходов или в магазин, где Вы приобрели данный продукт.

Производитель сохраняет за собой право изменять дизайн, конструкцию и технические характеристики, не влияющие на общие принципы работы устройства, без предварительного уведомления.

Срок службы устройства — 3 года

Дата производства указана в серийном номере.

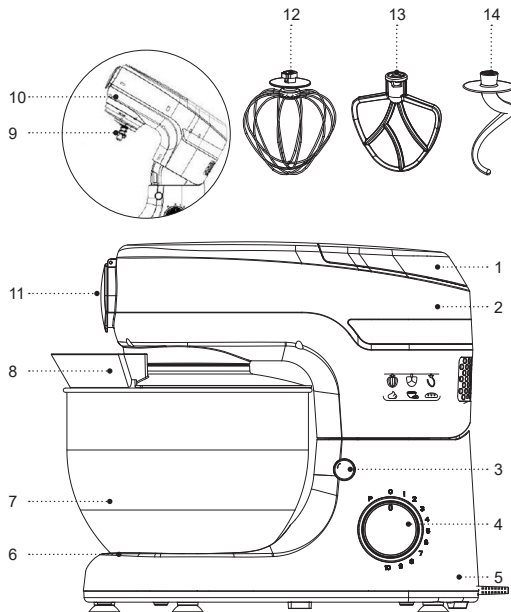
В случае обнаружения каких-либо неисправностей необходимо обратиться в авторизованный сервисный центр.

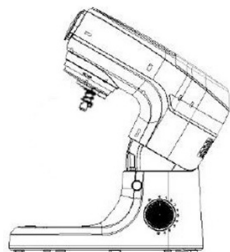
АСҮЙЛІК МАШИНА BR1502

Асүйлік машина қамыр илеуге, тартылған етті араластыруға, әртүрлі ингредиенттерді араластыруға, тұздықтар, майонез, көпіршітілген кілегей және т.б. өзірлеуге арналған.

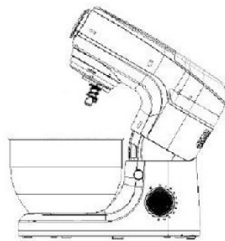
СИПАТТАМАСЫ

1. Блендер ыдысын орнату орнының қақпағы
2. Моторлық блок
3. Мотор блогының құлыптау түймесі
4. Жұмыс тәртіптерін ауыстырғышы «P-0-1---10»
5. Негіз
6. Тағамдық ыдысты орнату орны
7. Өнімдер үшін тостаған
8. Тостаған қақпағы
9. Саптамаларды орнатуға арналған білік
10. Тостағанның қақпағын орнату орны
11. Ет тартқыштың саптамасын орнату орнының қақпағы
12. Шайқауға арналған бұлғауыш
13. Араластыруға арналған саптама
14. Қамыр илеуге арналған саптама





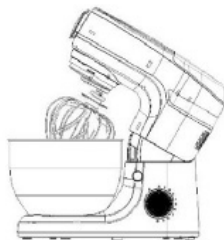
Cyp. 1



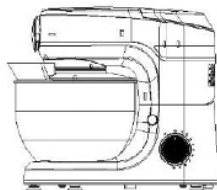
Cyp. 2



Cyp. 3



Cyp. 4



Cyp. 5

ҚАУІПСІЗДІК ШАРАЛАРЫ ЖӘНЕ ПАЙДАЛА- НУҒА БЕРУ ЖӨНІНДЕГІ НҰСҚАУЛЫҚТАР

Асүйлік машинаты пайдалану алдында қолдану жөніндегі басшылықпен мұқият танысып шығыңыз, оқыған соң, болашақта пайдалану үшін сақтап қойыңыз.

- Құрылғыны осы нұсқаулықта баяндалғандай, оның тікелей тағайыны бойынша ғана пайдаланыңыз.
- Асүйлік машинаты дұрыс қолданбау оның бұзылуына, және пайдаланушыға немесе оның мүлкіне зиян келтіруге әкеп соғуы мүмкін және кепілдік жағдайы болып табылмайды.
- Заттаңбада көрсетілген құрылғының жұмыс кернеуі, электр желісінің кернеуіне сәйкес екеніне көз жеткізіңіз.

НАЗАР АУДАРЫҢЫЗ! Үздіксіз жұмыс уақыты 3-тен 10 минутқа дейін болмауы керек (қолданылатын саптамаға байланысты), содан кейін кем дегенде 10-20 минут үзіліс жасаңыз.

- Құрылғыны үй-жайдан тыс жерде пайдалануға тыйым салынады.
- Құрылғыны найзағай кезінде пайдалану ұсынылмайды.
- Асүйлік машинаты тек құрғақ, тегіс және тұрақты бетке орнатыңыз, жылу, ашық жалын және тікелей күн сәулесі көздерінен алыс жерде пайдаланыңыз.
- Құрылғыны жылыту аспаптарының, ашық оттың немесе жылу көздерінің тікелей жанында пайдаланбаңыз.

- Асүйлік машинаты аэрозольдар пайдаланылатын немесе шашырайтын жерлерде, сондай-ақ тез тұтанатын сұйықтықтарға жақын жерлерде пайдалануға тыйым салынады.
- Құрылғыны соққыдан, құлаудан, дірілден және басқа да механикалық әсерлерден сақтаңыз.
- Асүйлік машинатың жұмыс істеуі барысында құрылғы корпусындағы желдету саңылауларын жаппаңыз, бұл электромотордың қызып кетуіне әкеп соғуы мүмкін.
- Желіге қосылған құрылғыны, қараусыз қалдырмаңыз.
- Асүйлік машина корпусын, қуаттандыру бауын немесе қуаттандыру бауының ашасын суға немесе кез-келген басқа сұйықтықтарға салмаңыз.
- Құрылғыны асүйлік раковинасына жақын жерде, жуынатын бөлмеде, бассейндер немесе басқа да су толтырылған сыйымдылықтарға жақын жерде пайдаланбаңыз.
- Егер құрылғы суға құлап кетсе, дереу қуаттандыру бауының ашасын электр розеткасынан суырыңыз, содан кейін ғана құрылғыны судан алып шығуға болады. Құрылғыны тексерту немесе жөндету үшін сервис орталығына жүгініңіз.
- Қуаттандыру бауы ыстық беттерге және жиһаздың өткір жиектеріне тиюін болдырмаңыз.
- Қуаттандыру бауын ұқыпты ұстаңыз, бұралып қалуына жол бермеңіз және қуаттандыру бауын мезгілімен түзетіп отырыңыз.
- Қуаттандыру бауын Асүйлік машинаты тасымалдауға арналған қолсап ретінде пайдалануға тыйым салынады.

- Құрылғы корпусын, қуаттандыру бауын және қуаттандыру бауының ашасын су қолмен ұстамаңыз.
- Құрылғыны пайдаланып болғаннан кейін немесе тазалау алдында электр желісінен ажыратыңыз. Құрылғыны электр желісінен ажыратқан кезде тек желі бауының ашасынан ұстаңыз, және оны электр розеткасынан абайлап шығарыңыз, қуаттандыру бауынан тартпаңыз — бұл оның зақымдануына әкеліп, қысқа тұйықталуын тудыруы мүмкін.
- Құрылғыны алғаш пайдалану алдында өнімдермен түйсетін, Асүйлік машинаның барлық шешілмелі бөлшектерін мұқият жуыңыз.
- Жеткізілім жиынтығына кіретін Асүйлік машина бөлшектерін ғана пайдаланыңыз.
- Қажетті қондырманы орнатпас бұрын, қуаттандыру бауының ашасы электр розеткасына салынбағандығына көз жеткізіңіз.
- Құрылғыны пайдаланар алдында, асүйлік машинаның барлық бөлшектері дұрыс орнатылғандығына көз жеткізіңіз және қондырма сенімді бекітілгендігіне көз жеткізіңіз.
- Моторлық блокты жұмыс күйіне орнату кезінде абайлық сақтаңыз, моторлық блок пен асүйлік машина негізі арасында бөгде заттардың түсіп кетуін болдырмаңыз.
- Қуаттандыру бауының ашасын электр розеткаға салардан бұрын, жұмыс режимдері ауыстырғышының тұтқасы күйіне «0» орнатылғанына көз жеткізіңіз.
- Асүйлік машинаны қатқан сары майды немесе қатқан қамырды араластыру үшін пайдалануға тыйым салынады.
- Асүйлік машина жұмыс істеп тұрған кезде айналып тұрған қондырмасына тиісуге тыйым салынады, қондырма айналымының аймағына бөгде заттардың түсіп кетуін болдырмаңыз.
- Өнімдерді дайындау аяқталғаннан кейін, асүйлік машинаны өшіріңіз, электр розеткасынан қуаттандыру бауының ашасын суырып алыңыз, мотор блогін көтеріңкіреп, қондырманы ажыратыңыз.
- Блендер ыдысында тағамсыз блендер қондырмасын қоспаңыз немесе қолданбаңыз.
- Блендер ыдысына ыстық тағамды салмас бұрын, оны суытыңыз, тағамның температурасы 40 ° C аспауы керек.
- Блендер ыдысына тағамды шамадан тыс салмаңыз және құйылған сұйықтық деңгейін бақылаңыз.
- Егер блендер тостағанындағы пышақтардың айналуы күтпеген жерден тоқтап қалса, ас үй машинасын өшіріңіз, қуат сымын электр розеткасынан ажыратыңыз, содан кейін ғана ұсақтағыш пышақтардың айналуына кедергі келтірген ингредиенттерді алып тастауға болады.
- Блендер тостағанынан тағамды алыңыз және сұйықтықтарды ағызыңыз, тек ұсақтағыш пышақтар толық айналуын тоқтатқан кезде.
- Блендер тостағанын қолданғанда абай болыңыз, себебі ұсақтағыш пышақтардың кесетін жиектері өткір және қауіпті болуы мүмкін. Өңделген тағамды алып тастау және тазалау кезінде блендер тостағанына аса мұқият болыңыз!

- Жұмыс кезінде пайдаланылған, Асүйлік машина корпусы мен бөлшектерін мезгілімен тазалап отырыңыз.
- Балалардың қауіпсіздігі үшін қаптама ретінде пайдаланылатын, полиэтилен пакеттерді қадағалаусыз қалдырмаңыз.

НАЗАР АУДАРЫҢЫЗ! Балаларға полиэтилен пакеттермен немесе қаптамалық үлдірмен ойнауға рұқсат етпеңіз. **Тұншығу қаупі бар!**

- Құрылғы балалардың пайдалануына тағайындалмаған.
- Құрылғыны ойыншық ретінде пайдалануға жол бермеу үшін, балаларды қадағалаңыз.
- Балаларға құрылғы жұмыс істеп тұрған кезде моторлық блок корпусын, қуаттандыру бауына және қуаттандыру бауының ашасын ұстауға рұқсат етпеңіз.
- Егер жұмыс істеп тұрған құрылғының жанында балалар немесе мүмкіндіктері шектеулі адамдар болса, онда ерекше назарда болыңыз.
- Жұмыс істеу уақытында және жұмыс циклдері арасындағы үзілістерде құрылғыны балалардың қолы жетпейтін жерге орналастырыңыз.
- Дене, жүйке немесе сана мүмкіндіктері төмендетілген тұлғалардың (балаларды қоса алғанда) немесе оларда тәжірибесі немесе білімі болмаса, егер олар бақыланбаса немесе олардың қауіпсіздігі үшін жауап беретін тұлғамен аспапты

пайдалану туралы нұсқаулықтар берілген болмаса, аспап олардың пайдалануына арналмаған.

- Асүйлік машинаты қолданар алдында қуаттандыру бауының бүтіндігін тексеріңіз. Қуаттандыру бауы зақымданда, қауіп тудырмау үшін оны дайындаушы, сервистік қызмет немесе баламалы білікті маман ауыстыруы тиіс.
- Құрылғыны өздігінен жөндеуге тыйым салынады. Құрылғыны өздігінен бөлшектемеңіз, кез-келген ақаулықтар пайда болғанда, сондай-ақ құрылғы құлағаннан кейін, оны электр желісінен ажыратыңыз және сервис орталығына жүгініңіз.
- Зақымдануды болдырмау үшін, құрылғыны зауыттық қаптамада ғана тасымалдаңыз.
- Құрылғыны салқын және құрғақ жерде, балалардың және мүмкіндігі шектеулі адамдардың қолы жетпейтін жерде сақтаңыз.

ҚҰРЫЛҒЫ ТЕК ТҰРМЫСТЫҚ ПАЙДАЛАНУҒА ҒАНА АРНАЛҒАН, ҚҰРЫЛҒЫНЫ КОММЕРЦИЯЛЫҚ НЕМЕСЕ ЗЕРТХАНАЛЫҚ МАҚСАТТАРДА ПАЙДАЛАНУҒА ТЫЙЫМ САЛЫНАДЫ.

АЛҒАШ РЕТ ПАЙДАЛУ АЛДЫНДА

Құрылғыны төмен температурада тасымалдағаннан кейін немесе сақтаған болсаңыз, оны қаптамадан шығарыңыз және пайдалану алдында 3 сағаттан кем емес уақыт күтіңіз.

- Құрылғыны қаптамадан шығарыңыз және барлық қаптама материалдарын жойыңыз.
- Зауыт қаптамасын сақтап қойыңыз.
- Қауіпсіздік шаралары мен пайдалануға беруге қатысты ұсыныстармен танысыңыз.
- Жинақталымын тексеріңіз.
- Құрылғыны зақымдануына қатысты тексеріп алыңыз, зақымдануы болған жағдайда оны желіге қоспаңыз.
- Құрылғыда көрсетілген қуаттандыру кернеуі параметрлері электр желісінің параметрлеріне сәйкес келетініне көз жеткізіңіз. Құрылғыны 60 Гц жиіліктегі электр желісінде пайдаланғанда ешқандай қосымша әрекет ету талап етілмейді.
- Қондырмаларды (12, 13, 14), қақпақты (8), тостағанды (7) бейтарап жуу құралы қосылған жылы сумен жуыңыз, шайып жіберіңіз және кептіріңіз.
- Блендер тостағанын (17), тостаған қақпағын (16) және өлшеуіш шыныаяқты (15) шайыңыз.
- Сондай-ақ, ет тартқыштың саптамасының бөлшектерін шайыңыз (20--27).
- Мотор блогі (2) және негізін (5) біраз ылғалды, жұмсақ, сәл дымқыл матамен сүртіңіз, содан кейін құрғатып сүртіңіз.

ҚОНДЫРМАЛАРДЫ ПАЙДАЛАНУ

Қамыр илеуге арналған қондырма (14)

- Қондырманы (14) ашытқысы бар немесе үгілмелі қамыр илеуге, тартылған етті араластыруға және т.б. пайдаланыңыз.

- Құрғақ ингредиенттерді төмен жылдамдықпен араластырыңыз, қамырды илеу кезінде қондырманың (14) айналу жылдамдығын мезгіл-мезгіл көбейтіңіз немесе азайтыңыз, ол үшін жұмыс режимдерінің ауыстырғы тұтқасын (4) бұраңыз.

Ингредиенттерді араластыруға арналған қондырма (13)



- Сіз қондырманы (13) құймақтың, бисквит қамырын илеуге немесе картоп езбесін өзірлеуге пайдалана аласыз. Қондырманың (13) айналу жылдамдығы жұмыс режимдерін ауыстырғыш тұтқасын (4) бұру арқылы реттеңіз.

Көпіршітуге арналған бұлғауыш (12)

- Бұлғауышты (12) кілегей, жұмыртқа ақуызын көпіршітуге, пудинг, коктейльдер, крем, майонез, тұздықтар өзірлеуге, сонымен қатар сұйық өнімдерді араластыру үшін пайдаланыңыз. Жұмыс режимдері ауыстырғышының тұтқасы (4) арқылы қондырманың (12) максималды айналу жылдамдығын белгілеңіз.

ҚОНДЫРМАЛАРДЫ ПАЙДАЛАНУ

Қондырма	Қолдануы	Сипаттамасы
Қамыр илеуге арналған қондырма (14)	 Ингредиенттерді араластыру және ашытқысы бар қамырды илеу	Нан, тоқаштар, пиццаға арналған қамыр.

Ингредиенттерді (13) араластыруға арналған қондырма.		Ингредиенттерді араластыру	Картоп езбесі, бисквитке арналған қамыр, үгілмелі қамыр, крем глазурі, кәмпіт өзірлеуге арналған қоспа.
Бұлғауыш (12)		Жеңіл, әуе қоспаларын өзірлеу.	Шайқалған жұмыртқа мен жұмыртқаның ақуызы, шайқалған кілегей, глазурь, майонез.

Ескертпе: қамыр илеуге арналған ұнны максималды салмағы 900 г-нан аспауы тиіс, ұн мен судың қатынасы (ұн:су = 1:0,65).

АСҮЙЛІК МАШИНАНЫ ПАЙДАЛАНУ

НАЗАР АУДАРЫҢЫЗ! Ұсақтағыштың үздіксіз жұмыс істеу уақыты 10 минуттан аспауы керек, одан кейін 20 минуттан кем емес уақытқа үзіліс жасаңыз.

- Қондырмаларды орнатпас бұрын, қуаттандыру бауының ашасы электр розеткасына салынбағанына және жұмыс режимдері ауыстырғышының тұтқасы (4) күйіне «0» орнатылғанына көз жеткізіңіз.
- Асүйлік машинаның осы моделінің құрастырылымында қосымша (1, 11) қондырмаларды орнату орындарын жабатын қақпақтар бар (қондырмалар жеткізу жиынтығына), шешіліп алынған қақпақтар асүйлік машинаның қондырмасыз қосуды бұғат-

тайтын жүйесін қосады. Өрқашан осы асүйлік машинаны қолданар алдында (1, 11), қақпақтардың дұрыс орнатылғанын тексеріңіз, әйтпесе асүйлік машина қосылмайды.

- Мотор блогын (2) қолыңызбен ұстап, бекіткіш тетігін (3), моторлық блок (2) жоғарғы күйінде бекітіледі.
- Тостаған қақпағын (8) орнату орнына (10) орнатыңыз.
- Қақапақты (8) бекіту үшін бұрыңыз.
- Тостағанды (7) орнату орнына (6) орнатыңыз және тірелгенге дейін сағат тілі бағытымен бұрыңыз (сур. 2).
- Білікке (9) қондырмалардың (12, 13 немесе 14) бірін орнатыңыз, ол үшін қондырманы жоғары қарай сәл басыңыз және оны сағат тілі бағыты бойынша бұрыңыз (сур. 3, 4). Қондырманың сенімді бекігеніне көз жеткізіңіз.
- Тостағанға (7) қажетті ингредиенттерді салыңыз.
- Бекіткіш тетігіне (3) басыңыз және оны басып ұстап тұрыңыз, мотор блогінің (1) жоғарғы бөлігін басыңыз, оны жұмыс күйіне түсіріңіз, тетікті (3) босатыңыз. Мотор блогінің (2) жұмыс күйіне сенімді бекігендігіне көз жеткізіңіз (сур. 5).
- Қуаттандыру бауының ашасын электр розеткасына салыңыз.

Ескертпе: қосымша қондырмаларды орнату орындарының қақпақтары дұрыс орнатылғанына және бекітілгеніне көз жеткізіңіз.

- Асүйлік машинаны қосу үшін жұмыс режимдері ауыстырғышы тұтқасын (4) сағат тілі бойынша бұрыңыз және қондырманың қажетті айналым жылдамдығын белгілеңіз «1---10».

Ескертпе: ашытқы қамырын илеу кезінде саптаманың төмен айналу жылдамдығын қолданыңыз (14).

- Әрқашан төмен жылдамдықта жұмыс істеуді бастаңыз және саптаманың айналу жылдамдығын біртіндеп арттырыңыз
- Жұмыс кезінде қажетті ингредиенттерді қоса аласыз, ол үшін қақпақта (8) тесік қарастырылған.
- Ас үй машинасын қысқа мерзімге қосу үшін (4) жұмыс режимін ауыстырып-қосқыштың тұтқасын «Р» күйіне бұраңыз және оны ұстап тұрыңыз.
- Жұмыс аяқталғаннан кейін жұмыс режимдерінің ауыстырғышын (4) күйіне «0» белгілеңіз және қуаттандыру бауының ашасын электр розеткасынан суырыңыз.
- Мотор блогын (2) қолыңызбен ұстап, бекіткіш тетігін (3), моторлық блок (1) жоғарғы күйінде бекітіледі (сур. 1).
- Орнатылған қондырманы шешіп алыңыз, ол үшін оны сағат тілі бағыты бойынша бұрыңыз (сур. 3).
- Қақпақты (8) бұрыңыз және оны шешіп алыңыз.
- Тостағанды (7) шешіп алыңыз, ол үшін оны сағат тілі бағытымен.
- Тостағаннан (7) өнімдерді шығарыңыз.
- Пайдаланылған қондырманы, және тостағанды (7) бейтарап жуу құралы қосылған жылы сумен жуып жіберіңіз, шайыңыз және кептіріңіз.

ТАЗАЛАУЫ ЖӘНЕ КҮТІМІ

- Асүйлік машинаны пайдаланғаннан кейін, оны өшіріңіз, ол үшін жұмыс режимдері ауыстырғышы тетігін (4) күйіне «0» белгілеңіз және қуаттандыру бауының ашасын электр розеткасынан суырыңыз.
- Пайдаланылған қондырманы, қақпақты (8) тостағанды (7) бейтарап жуу құралы қосылған жылы сумен жуып жіберіңіз, шайыңыз және кептіріңіз.
- Блендер тостағанын (17) алдын ала шаю үшін, блендер қондырғысын қолданғаннан кейін, ыдысқа (17) аз мөлшерде су құйыңыз, импульстік режимді қолданып ас үй машинасын қосыңыз, ол үшін режим қосқышын «Р» және оны ұстап тұрыңыз. Содан кейін тостағанды (17) алып тастаңыз және мұқият шайыңыз, осылайша мұқият болыңыз, себебі ұсақтағыш пышақтардың (19) кесетін жиектері өткір және қауіпті болуы мүмкін.
- Ет тартқыш қондырмасын қолданғаннан кейін оны бөлшектеңіз және бөлшектерді шайыңыз (21, 22, 23, 24, 25, 26, 27), шайыңыз және құрғатыңыз.
- Мотор блогін (2) және негізін (5) жұмсақ, сәл дымқыл матамен сүртіңіз, содан кейін құрғатып сүртіңіз.
- Асүйлік машинаны тазалау үшін металл қылшақтарды, абразивті тазартқыш құралдарды және еріткіштерді пайдалануға тыйым салынады.
- Асүйлік машинаны, қуаттандыру бауын және қуаттандыру бауының ашасын суға немесе кез келген басқа сұйықтыққа батыруға тыйым салынады.
- Асүйлік машинаны тазарту кезінде, мотор блогіне (2) және мотор блогін (2) негізбен (5) қосылатын жеріне

судың және тазартқыш құралдарының тиюін болдырмаңыз.

- Аспаптарды (12, 13, 14), тостағанды (7), ет тартқыш қондырмасының бөліктерін ыдыс жуғышта жууға болады.

САҚТАЛУЫ

- Машинаны сақтауға алып қоймас бұрын, барлық қондырмалары мен корпусы таза әрі құрғақ екені көз жеткізіңіз.
- Құрылғыны салқын және құрғақ жерде, балалардың және мүмкіндігі шектеулі адамдардың қолы жетпейтін жерде сақтаңыз.

ЖЕТКІЗІЛІМ ЖИЫНТЫҒЫ

1. Асүйлік машина – 1 дн.
2. Тостаған – 1 дн.
3. Тостаған қақпағы – 1 дн.
4. Қондырмалар – 3 дн.
5. Нұсқаулық – 1 дн.

ТЕХНИКАЛЫҚ СИПАТТАМАЛАРЫ

- Электрқуаттандыруы: 220-240 В ~ 50-60 Гц
- Максималды қажет ететін қуаты: 1000 Вт
- Тағам ыдысының көлемі: 5,5 литр

КӘДЕГЕ АСЫРУ



Қалдықтардың бақыланбай кәдеге асыруынан қоршаған ортаға немесе адамдардың денсаулығына зиян келтірмеу үшін, құрылғының немесе қуаттандыру элементтерінің (егер жиынтыққа кірсе) қызмет ету мерзімі аяқталғаннан кейін оларды әдеттегі тұрмыстық қалдықтармен бірге тастамаңыз, аспапты және қуаттандыру элементтерін одан әрі кәдеге асыру үшін арнайы пункттерге жіберіңіз.

Бұйымдарды кәдеге асыру кезінде пайда болатын қалдықтар белгіленген тәртіп бойынша келесі кәдеге асырылатын тәртіппен міндетті түрде жинауға жатады.

Берілген өнімді кәдеге асыру туралы қосымша ақпаратты алу үшін жергілікті муниципалитетке, тұрмыстық қалдықтарды пайдаға асыру қызметіне немесе осы өнімді сатып алған дүкенге жүгініңіз.

Өндіруші алдын-ала ескертусіз, құрылғының дизайнын, конструкциясы мен оның жалпы жұмыс ұстанымдарына әсер етпейтін техникалық сипаттамаларын өзгерту құқығын өзіне қалдырады.

Құрылғының қызмет ету мерзімі — 3 жыл

Өндірілген күні сериялық нөмірде көрсетілген.

Қандай да бір ақаулықтар табылған жағдайда дереу авторландырылған сервистік орталыққа жүгіну керек.



Hergestellt für «Ruste GmbH»,
Berggasse 18/18, 1090 Wien,
Österreich

Produced for «Ruste GmbH»,
Berggasse 18/18, 1090 Vienna, Austria

Изготовлено по заказу Русте Гмбх,
Бергассе 18/18, 1090 Вена, Австрия

Уполномоченное изготовителем
лицо: ООО «Грантэл»
143912, МО, г. Балашиха,
ш. Энтузиастов, вл. 1А
т.: +7 (495) 297-50-20,
e-mail: info@brayer.su

Made in China/Произведено в Китае

brayer.ru

